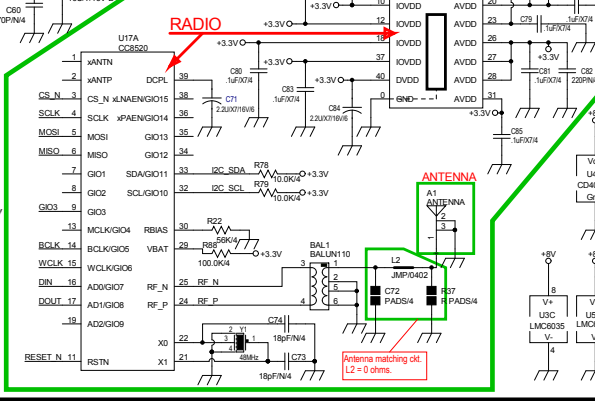
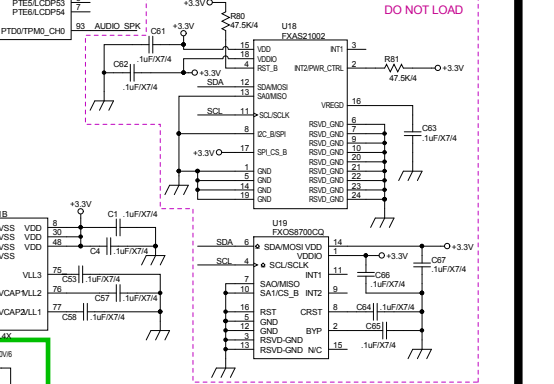
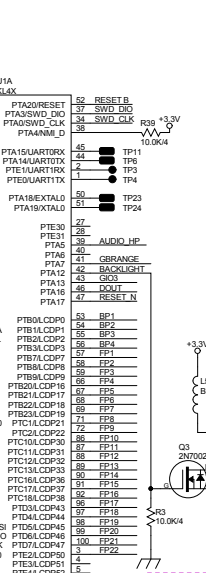
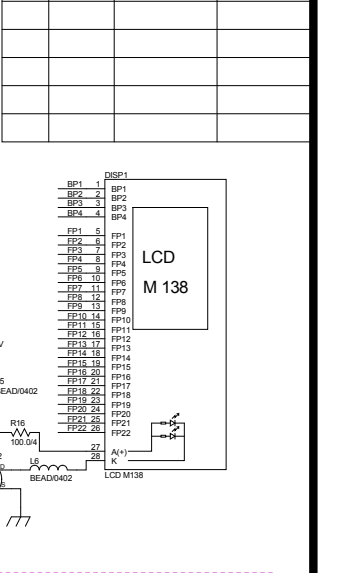
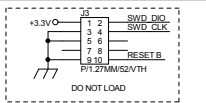
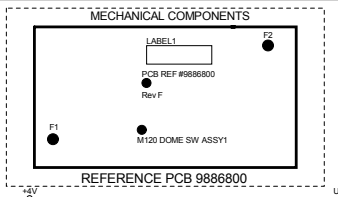


REVISIONS				
REV	ECN	DATE	CHECKED	
A	8660	08/11/17	WAS	
B	8670	09/06/17		



**GARRETT ELECTRONICS, INC.**  
 1881 W. State St., Garland, TX, 75042-6797 U.S.A.  
 972-494-6151 FAX 972-494-1881

THIS DRAWING AND SPECIFICATIONS, AND THE DATA CONTAINED THEREIN, ARE THE SOLE PROPERTY OF GARRETT ELECTRONICS, INC. ISSUED IN STRICT CONFIDENCE AND SHALL NOT, WITHOUT PRIOR WRITTEN PERMISSION OF GARRETT ELECTRONICS, INC. BE REPRODUCED, COPIED OR USED FOR ANY PURPOSE WHATSOEVER, EXCEPT FOR THE MANUFACTURING OF ARTICLES FOR GARRETT ELECTRONICS, INC.

DRAWN	DATE	TITLE
jbh/was	9/18/2017	SCHEMATIC - M138
CHECKED	DATE	SIZE
		C
ENGINEER	DATE	DWG. NO.
		2350100
		REV
		B
		SHEET
		1 of 2

9/18/2017 4:24:11 PM  
 O:\Circuits\Schematics\M138\M138\_2350100.cer.SCHDOC