



SCPH-100 SERIES

# SERVICE MANUAL

5th Edition



PSone™



Sony Computer Entertainment Inc.  
Customer Service Department  
Published in Japan c.12.2001 9-927-088-03

Reproduction prohibited

Reproduction prohibited

**Notice**

This manual is copyrighted by Sony Computer Entertainment Inc. All rights Reserved.

No re-produced or transferred required except permission by Sony Computer Entertainment Inc.

No commercial use and rental required.

**Revisions**

This manual compiled by 5th edition of SCPH-100's Design data.

Design and specifications will be subject to change without notice.

So, the latest versions of Service Manual, Technical Memo and SCEI. Service Promotion Dept.'s Home Page "PS SERVICE PLAZA" should be used together with this manual.

PS SERVICE PLAZA web site: <http://svc.scei.sony.co.jp/>

**TABLE OF CONTENTS**

**1. SPECIFICATIONS** ..... 1-1

**2. EXPLODED VIEW**

2-1. Main Block ..... 2-1

**3. ADJUSTMENTS**

3-1. Check Specification ..... 3-1

3-2. Adjustment & Check Tool ..... 3-2

3-3. Attention ..... 3-2

**4. BLOCK DIAGRAM**

4-1. Overall Block Diagram (PM-41 (-11/-21/-31/-41/-51/-61) Board) ..... 4-1

4-2. Overall Block Diagram (PM-41 (-71) Board) ..... 4-3

**5. DIAGRAMS**

5-1. Printed Wiring Board (PM-41 (-11) Board) (SCPH-100) ..... 5-1

5-2. Printed Wiring Board (PM-41 (-21/-31) Board) (SCPH-100/101/102) ..... 5-3

5-3. Printed Wiring Board (PM-41 (-41/-51) Board) (SCPH-100/101/102/103) .. 5-5

5-4. Printed Wiring Board (PM-41 (-61) Board) (SCPH-100/101/102/103) ..... 5-7

5-5. Printed Wiring Board (PM-41 (-71) Board) (SCPH-100/101/102/103) ..... 5-9

5-6. Schematic Diagram (PM-41 (-11/-21/-31/-41/-51/-61) Board (1/15)) ..... 5-11

5-7. Schematic Diagram (PM-41 (-71) Board (2/15)) ..... 5-13

5-8. Schematic Diagram (PM-41 (-11/-21/-31) Board (3/15)) ..... 5-15

5-9. Schematic Diagram (PM-41 (-41/-51) Board (4/15)) ..... 5-17

5-10. Schematic Diagram (PM-41 (-61) Board (5/15)) ..... 5-19

5-11. Schematic Diagram (PM-41 (-71) Board (6/15)) ..... 5-21

5-12. Schematic Diagram (PM-41 (-11/-21/-31/-41/-51/-61) Board (7/15)) ..... 5-23

5-13. Schematic Diagram (PM-41 (-71) Board (8/15)) ..... 5-25

5-14. Schematic Diagram (PM-41 (-11/-21/-31/-41/-51/-61) Board (9/15)) ..... 5-27

5-15. Schematic Diagram (PM-41 (-71) Board (10/15)) ..... 5-29

5-16. Schematic Diagram (PM-41 (-11) Board (11/15)) ..... 5-31

5-17. Schematic Diagram (PM-41 (-21/-31/-41/-51/-61) Board (12/15)) ..... 5-33

5-18. Schematic Diagram (PM-41 (-71) Board (13/15)) ..... 5-35

5-19. Schematic Diagram (PM-41 (-11/-21/-31/-41/-51/-61) Board (14/15)) ..... 5-37

5-20. Schematic Diagram (PM-41 (-71) Board (15/15)) ..... 5-39

**6. ELECTRICAL PARTS LIST**

• PM-41 Board ..... 6-1

**SECTION 1  
SPECIFICATIONS**

**SCPH-100**

**General**

Power requirements  
DC IN 7.5 V  
Power consumption  
9 W  
Dimensions  
193 × 36 × 143 mm (w/h/d)  
Mass  
550 g  
Operating Temperature  
5°C - 35°C

Laser diode properties  
• Material : GaAlAs  
• Wavelength : 1=780 nm  
• Emission duration : Continuous  
• Laser output : Less than 44.6 µW  
*(measured at a distance of 200 mm from the lens surface on the optical pick-up block)*

**Inputs/outputs on the front**  
Controller ports (2)  
MEMORY CARD slots (2)

**Outputs on the rear**  
AV MULTI OUT connector (1)

**AC power adaptor**  
Power requirements  
100 V AC, 50/60 Hz  
Output voltage and current  
7.5 V, 2.0 A max.  
Dimensions  
50 × 27 × 78 mm (w/h/d)  
Mass  
160 g

**Supplied accessories**

AC Adaptor (1)  
AV Cable  
(integrated audio/video) (1)  
Analog Controller  
(DUALSHOCK™) (1)  
Instruction Manual (1)  
Design and specifications are subject to change without notice.

**SCPH-103**

**General**

Power requirements  
DC IN 7.5 V  
Power consumption  
9 W  
Dimensions  
193 × 38 × 144 mm (w/h/d)  
Mass  
560 g  
Operating Temperature  
5°C - 35°C

Laser diode properties  
• Material : GaAlAs  
• Wavelength : 1=780 nm  
• Emission duration : Continuous  
• Laser output : Less than 44.6 µW  
*(measured at a distance of 200 mm from the lens surface on the optical pick-up block)*

**Inputs/outputs on the front**  
Controller ports (2)  
MEMORY CARD slots (2)

**Outputs on the rear**  
AV MULTI OUT connector (1)

**Supplied accessories**  
AC Adaptor (1)  
AV Cable  
(integrated audio/video) (1)  
Analog Controller  
(DUALSHOCK™) (1)  
Instruction Manual (1)

Design and specifications are subject to change without notice.

**SCPH-101**

**General**

Power requirements  
DC IN 7.5 V  
Power consumption  
9 W  
Dimensions  
193 × 38 × 144 mm (w/h/d)  
(7.58 × 1.12 × 5.74 inches)  
Mass  
560 g (1 lb 3 oz)  
Operating Temperature  
41°F - 95°F (5°C - 35°C)

Laser diode properties  
• Material : GaAlAs  
• Wavelength : 1=780 nm  
• Emission duration : Continuous  
• Laser output : Less than 44.6 µW  
*(measured at a distance of 200 mm from the lens surface on the optical pick-up block)*

**Inputs/outputs on the front**  
Controller ports (2)  
MEMORY CARD slots (2)

**Outputs on the rear**  
AV MULTI OUT connector (1)

**Supplied accessories**  
AC Adaptor (1)  
AV Cable  
(integrated audio/video) (1)  
Analog Controller  
(DUALSHOCK™) (1)  
Instruction Manual (1)

Design and specifications are subject to change without notice.

**SCPH-102**

**General**

Power requirements  
DC IN 7.5 V  
Power consumption  
9 W  
Dimensions  
193 × 38 × 144 mm (w/h/d)  
Mass  
560 g  
Operating Temperature  
41°F - 95°F (5°C - 35°C)

Laser diode properties  
• Material : GaAlAs  
• Wavelength : 1=780 nm  
• Emission duration : Continuous  
• Laser output : Less than 44.6 µW  
*(measured at a distance of 200 mm from the lens surface on the optical pick-up block)*

**Inputs/outputs on the front**  
Controller ports (2)  
MEMORY CARD slots (2)

**Outputs on the rear**  
AV MULTI OUT connector (1)

**Supplied accessories**  
AC Adaptor (1)  
AV Cable  
(integrated audio/video) (1)  
Analog Controller  
(DUALSHOCK™) (1)  
Instruction Manual (1)

Design and specifications are subject to change without notice.

Reproduction prohibited

Reproduction prohibited

## SECTION 2 EXPLODED VIEW

- NOTE:**
- The mechanical parts with no reference number in the exploded views are not supplied.
  - XX and X mean standardized parts, so they may have some difference from the original one.
  - Accessories and packing materials are given in the last of this parts list.

The components identified by mark  $\Delta$  or dotted line with mark  $\Delta$  are critical for safety. Replace only with part number specified.

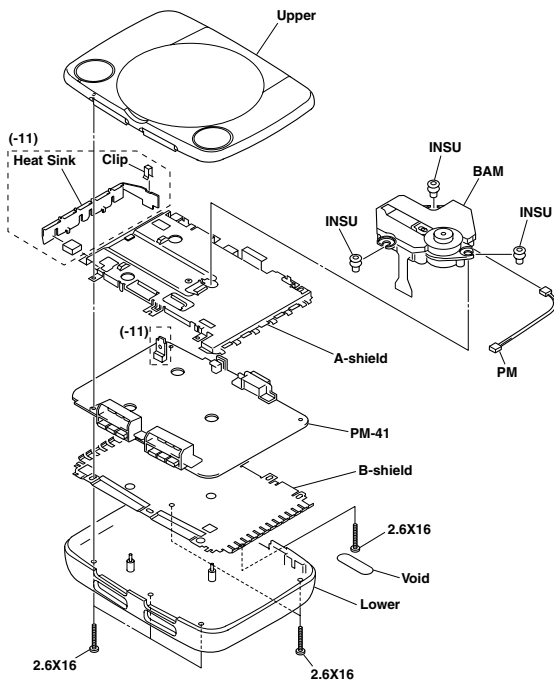
Les composants identifiés par une marque  $\Delta$  sont critiques pour la sécurité. Ne les remplacer que par une pièce portant le numéro spécifié.

**NOTE:**

- SC Classification : S : Stocked parts U : Unsupplied parts O : Ordered parts

**CAUTION**  
Use of controls or adjustments or performance of procedures other than those specified herein may result in hazardous radiation exposure.

### 2-1. MAIN BLOCK



2-1

SC	Ref. No.	Part No.	Description	Remark
O	A-shield	X-3950-906-1	SHIELD (A) ASSY (-11/-21/-31/-41/-51/-61)	
O	A-shield	X-3952-077-1	SHIELD (A) ASSY (-71)	
O	B-shield	3-063-429-01	SHIELD (B) (-11/-21/-31/-41/-51/-61)	
O	B-shield	3-069-803-01	SHIELD (B) (-71)	
S, $\Delta$	BAM	8-820-135-01	DEVICE, OPTICAL KSM-440BAM/C1NP	
O	Clip	3-063-704-01	CLIP (-11)	
O	Heat Sink	3-063-703-01	HEAT SINK (-11)	
S	INSU	3-063-428-01	INSULATOR (A) (-11)	
S	INSU	3-985-376-11	INSULATOR (-21/-31/-41/-51/-61/-71)	
O	Lower	X-3952-076-1	CABINET (LOWER) ASSY (100,102,103)	
O	Lower	X-3952-079-1	CABINET (LOWER) ASSY (101)	
O	PM	1-954-377-31	HARNESS (PM-86)	
O, $\Delta$	PM-41	A-6713-742-A	PM-41 BOARD, COMPLETE (100-111/-21/-31)	
O, $\Delta$	PM-41	A-6713-768-A	PM-41 BOARD, COMPLETE (101-21/-31)	
O, $\Delta$	PM-41	A-6713-776-A	PM-41 BOARD, COMPLETE (102-21/-31)	
O, $\Delta$	PM-41	A-6713-853-A	PM-41 BOARD, COMPLETE (100-41/-51)	
O, $\Delta$	PM-41	A-6713-854-A	PM-41 BOARD, COMPLETE (101-41/-51)	
O, $\Delta$	PM-41	A-6713-855-A	PM-41 BOARD, COMPLETE (102-41/-51)	
O, $\Delta$	PM-41	A-6713-864-A	PM-41 BOARD, COMPLETE (103-41/-51)	
O, $\Delta$	PM-41	A-6713-902-A	PM-41 BOARD, COMPLETE (101-61)	
O, $\Delta$	PM-41	A-6713-903-A	PM-41 BOARD, COMPLETE (100-61)	
O, $\Delta$	PM-41	A-6713-904-A	PM-41 BOARD, COMPLETE (102-61)	
O, $\Delta$	PM-41	A-6713-906-A	PM-41 BOARD, COMPLETE (103-61)	
O, $\Delta$	PM-41	A-6715-470-A	PM-41 BOARD, COMPLETE (100-71)	
O, $\Delta$	PM-41	A-6715-471-A	PM-41 BOARD, COMPLETE (101-71)	
O, $\Delta$	PM-41	A-6715-483-A	PM-41 BOARD, COMPLETE (102-71)	
O, $\Delta$	PM-41	A-6715-484-A	PM-41 BOARD, COMPLETE (103-71)	
O	Upper	X-3952-075-1	CABINET (UPPER) ASSY (100,102,103)	
O	Upper	X-3952-078-1	CABINET (UPPER) ASSY (101)	
O	Void	3-064-752-01	TAPE, VOID (100)	
O	Void	3-065-630-01	TAPE (B), VOID (101)	
O	Void	3-065-636-01	TAPE (C), VOID (102)	
O	Void	3-066-884-02	TAPE (D), VOID (103)	
O	Void	3-075-101-01	TAPE (KR3), VOID (103D)	
O	2.6X16	3-063-705-01	SCREW (2.6X16), TAPPING	

2-2

The components identified by mark  $\Delta$  or dotted line with mark  $\Delta$  are critical for safety. Replace only with part number specified.

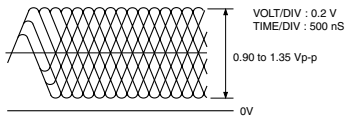
Les composants identifiés par une marque  $\Delta$  sont critiques pour la sécurité. Ne les remplacer que par une pièce portant le numéro spécifié.

### SECTION 3 ADJUSTMENTS

#### 3-1. CHECK SPECIFICATION

RF level 0.90 to 1.35 Vp-p (Check point : Between CL704 (HOT) and CL710 (VC),

• RF signal waveform (eye pattern)



Use SCD-2700 DISC when measured RF level.  
Use the oscilloscope with input impedance more than 10 MΩ.

RF Jitter Below 9.0 nS (Measuring by KJM-6135S JITTER METER.)

Below 27.0 nS (Measuring by KJM-6235S JITTER METER.)

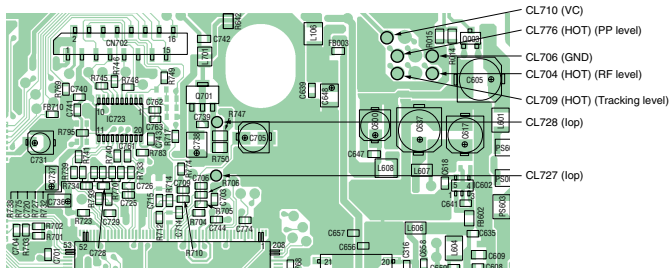
PP level 1.1 ± 0.6 Vp-p (Check point : Between CL776 (HOT) and CL710 (VC),

Use LPF (fc = 10 kHz)

Tracking level 1.25 ± 0.65 Vp-p (Check point : Between CL709 (HOT) and CL710 (VC),

Caution. Vc Line (CL710) do not make common use with GND line.

#### Check Point for PU-41 Board. (Refer to each printed wiring boards)



#### 3-2. ADJUSTMENT & CHECK TOOL

SCD-2700 TEST DISC  
(J-2504-010-A)

QA DISC  
PTPX-97001 for Japan & Asia area.  
(J-2504-013-A)  
PUPX-93001 for USA & Canada area.  
(J-2504-009-A)  
PEPX-94001 for Europe, Australia, Galf area.  
(J-2504-007-A)

AGING DISC  
PTPX-97002 for Japan & Asia area.  
(J-2504-019-A)  
PUPX-93002 for USA & Canada area.  
(J-2504-020-A)  
PEPX-94002 for Europe, Australia, Galf area.  
(J-2504-017-A)

ANALOG CONTROLLER SERVICE DISC  
PTPX-97012 for Japan & Asia area.  
(J-2504-021-A)  
PUPX-93010 for USA & Canada area.  
(J-2504-022-A)  
PEPX-94009 for Europe, Australia, Galf area.  
(J-2504-023-A)

ANALOG CONTROLLER CHECKER (PRE-H3000)  
(J-2504-008-A)

SWITCH ON JIG (PRJ-001)  
(J-2504-003-A)

#### 3-3. ATTENTION

##### Dielectric voltage withstand of Optical Device.

After repair complete. Dielectric voltage withstand test and Insulation resistance test to be conducted according to the regulation of IEC-65 EN60065 or UL1492 or 電気用品取締法 .

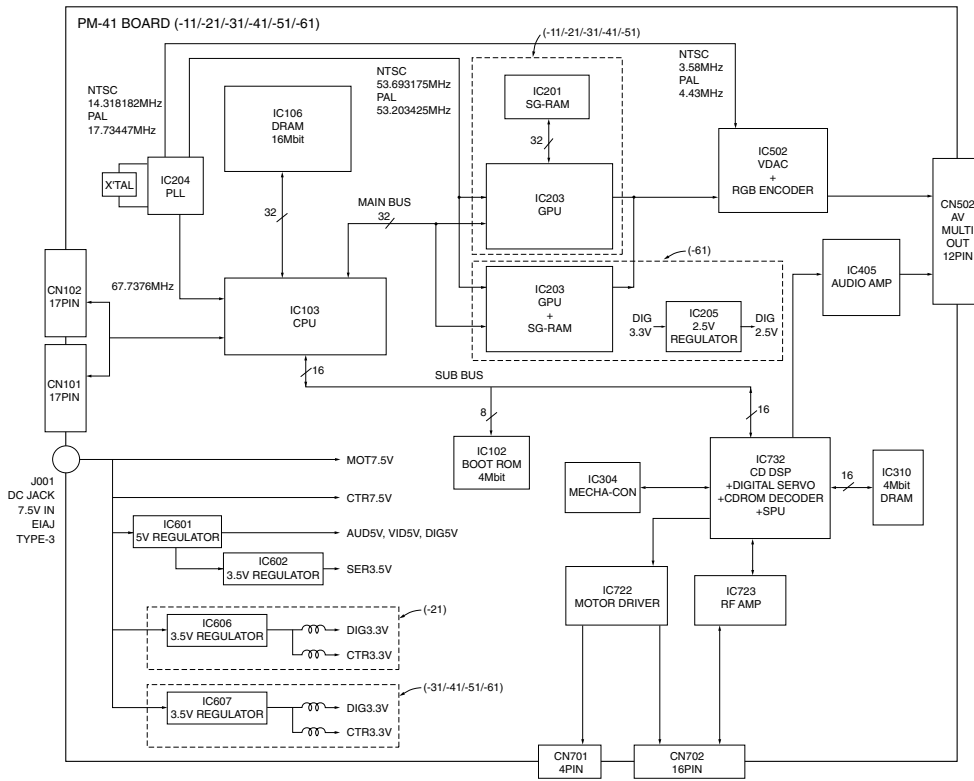
##### About replacement of Optical Device.

Check the specification of RF level, Jitter, Eye pattern, Focus gain and Tracking error using Check jig before replacing the Optical Device.

When Optical Device satisfied those specification, Playback QA DISC or AGING DISC for checking double speed ability and sledding mechanism.

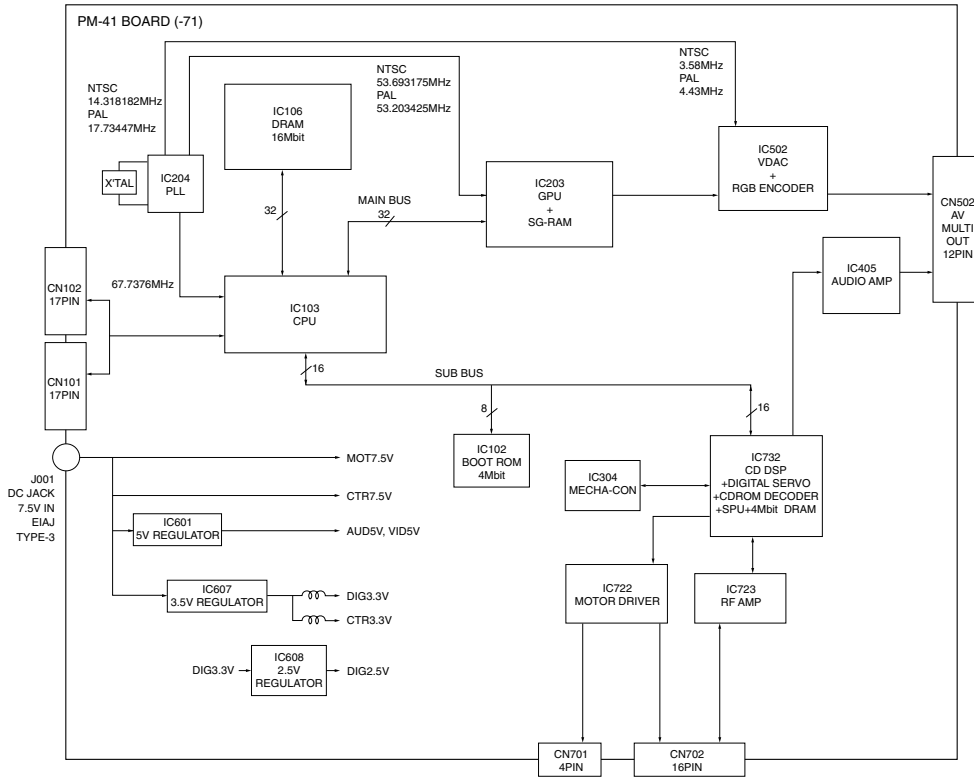
### SECTION 4 BLOCK DIAGRAM

4-1. OVERALL BLOCK DIAGRAM (PM-41 (-11/-21/-31/-41/-51/-61) BOARD)



Reproduction prohibited

4-2. OVERALL BLOCK DIAGRAM (PM-41 (-71) BOARD)



THIS NOTE IS COMMON FOR PRINTED WIRING BOARDS AND SCHEMATIC DIAGRAMS.

Note on Printed Wiring Boards :

- Through hole is omitted.
- : Pattern on the side which is seen.
- : Chip parts.



Note on Schematic Diagram :

- Caution when replacing chip parts. New parts must be attached after removal of chip. Be careful not to heat the minus side of tantalum capacitor, because it is damaged by the heat.
- All capacitors are in  $\mu\text{F}$  unless otherwise noted,  $\text{pF}$  ;  $\mu\text{F}$  50 WV or less are not indicated except for electrolytics and tantalums.
- All resistors are in  $\Omega$  and  $1/16\text{ W}$  or less unless otherwise specified.
- Chip resistor are  $1/10\text{ W}$  or  $1/16\text{ W}$  unless otherwise noted.  $\text{k}\Omega$  : 1000  $\Omega$ ,  $\text{M}\Omega$  : 1000  $\text{k}\Omega$ .
- : B+ Line.
- : IN/OUT direction of (+, -) B LINE.
- Circled numbers refer to waveforms.
- Indicated by the color red.

Note :  
The components identified by mark  $\Delta$ , or dotted line with mark  $\Delta$ , are critical for safety. Replace only with part number specified.

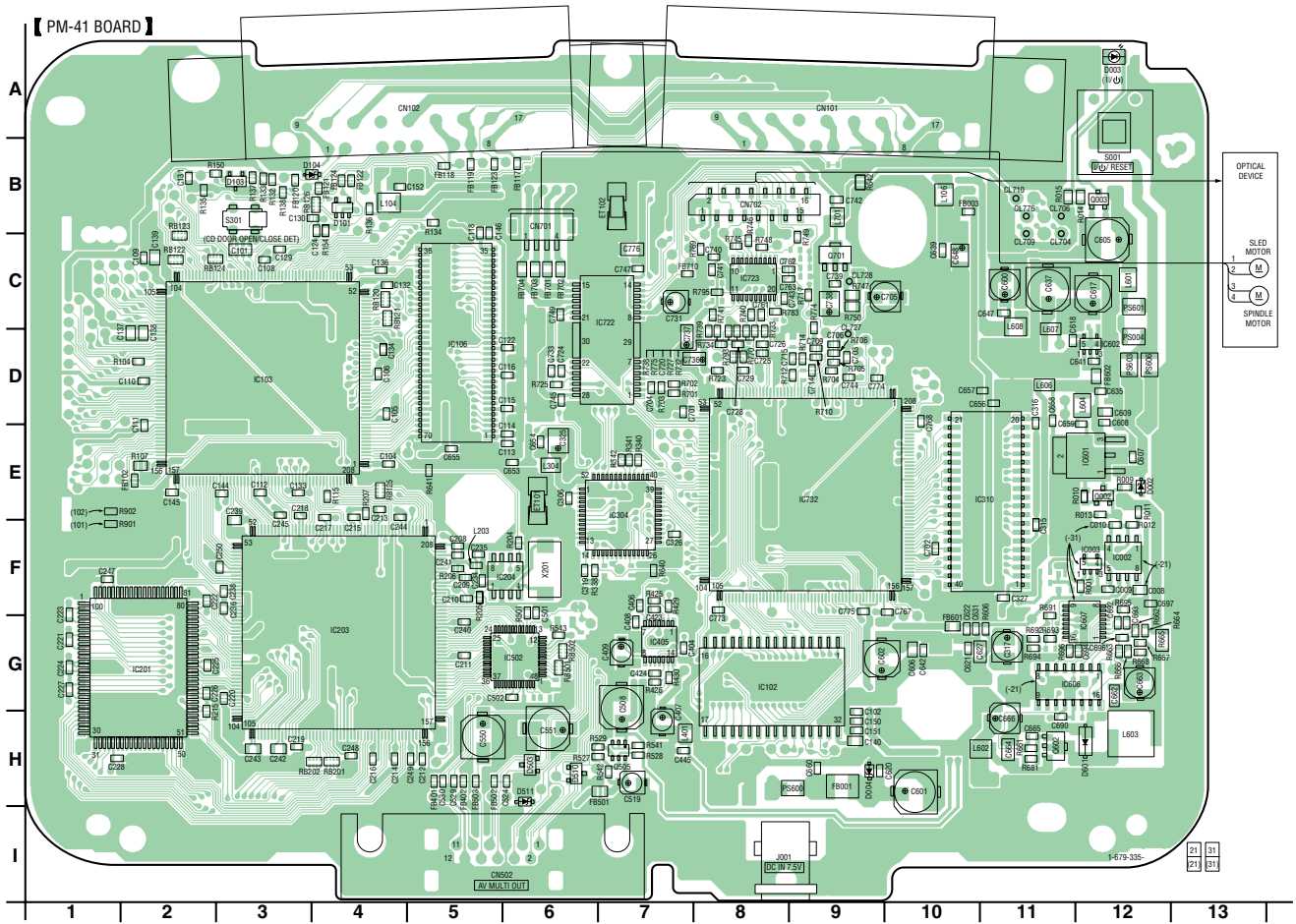
Note :  
Les composants identifiés par une marque  $\Delta$ , sont critiques pour la sécurité. Ne les remplacer que par une pièce portant le numéro spécifié.





Reproduction prohibited

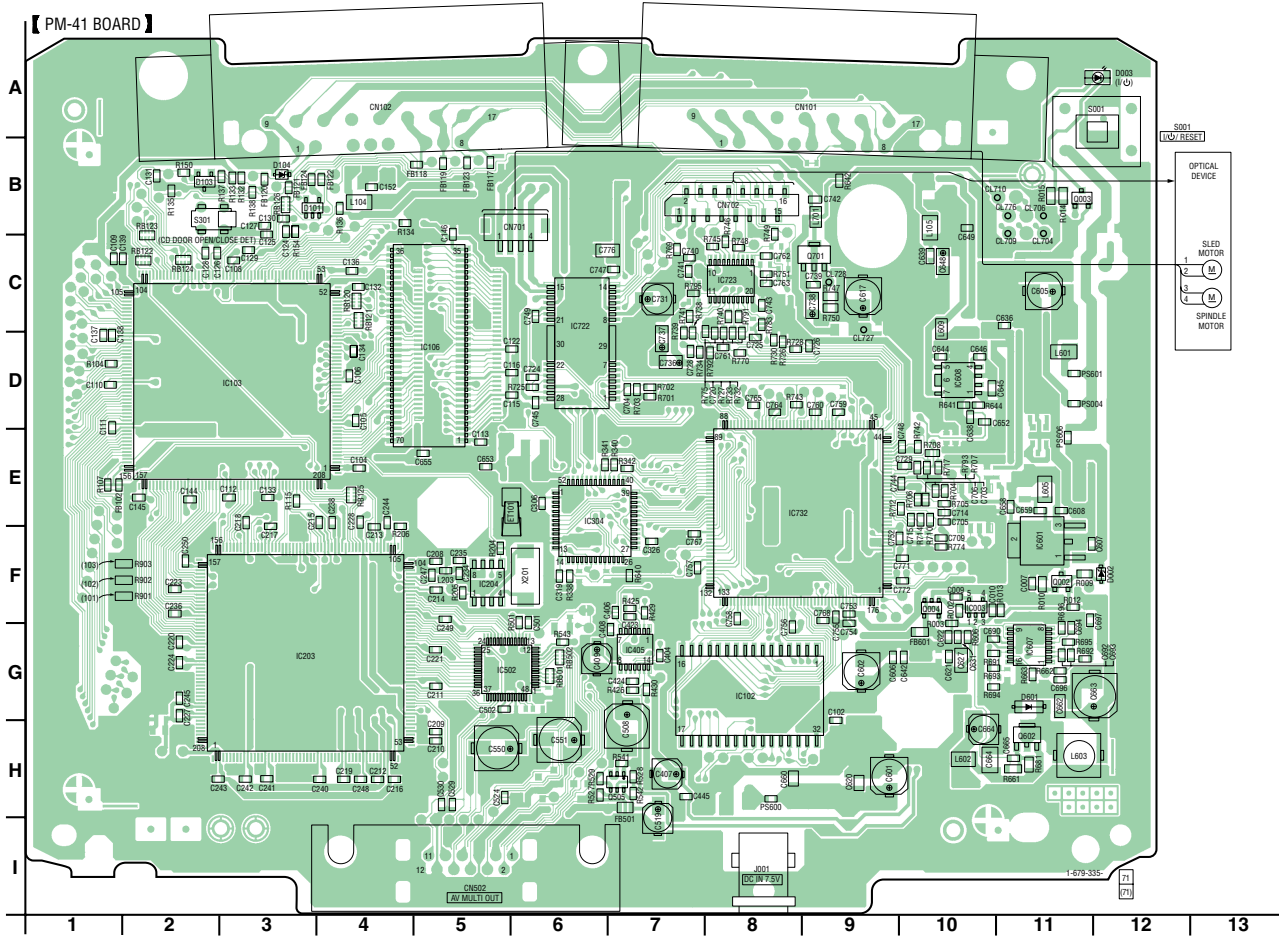
5-2. PRINTED WIRING BOARD (PM-41 (-21/-31) BOARD) (SCPH-100/101/102)







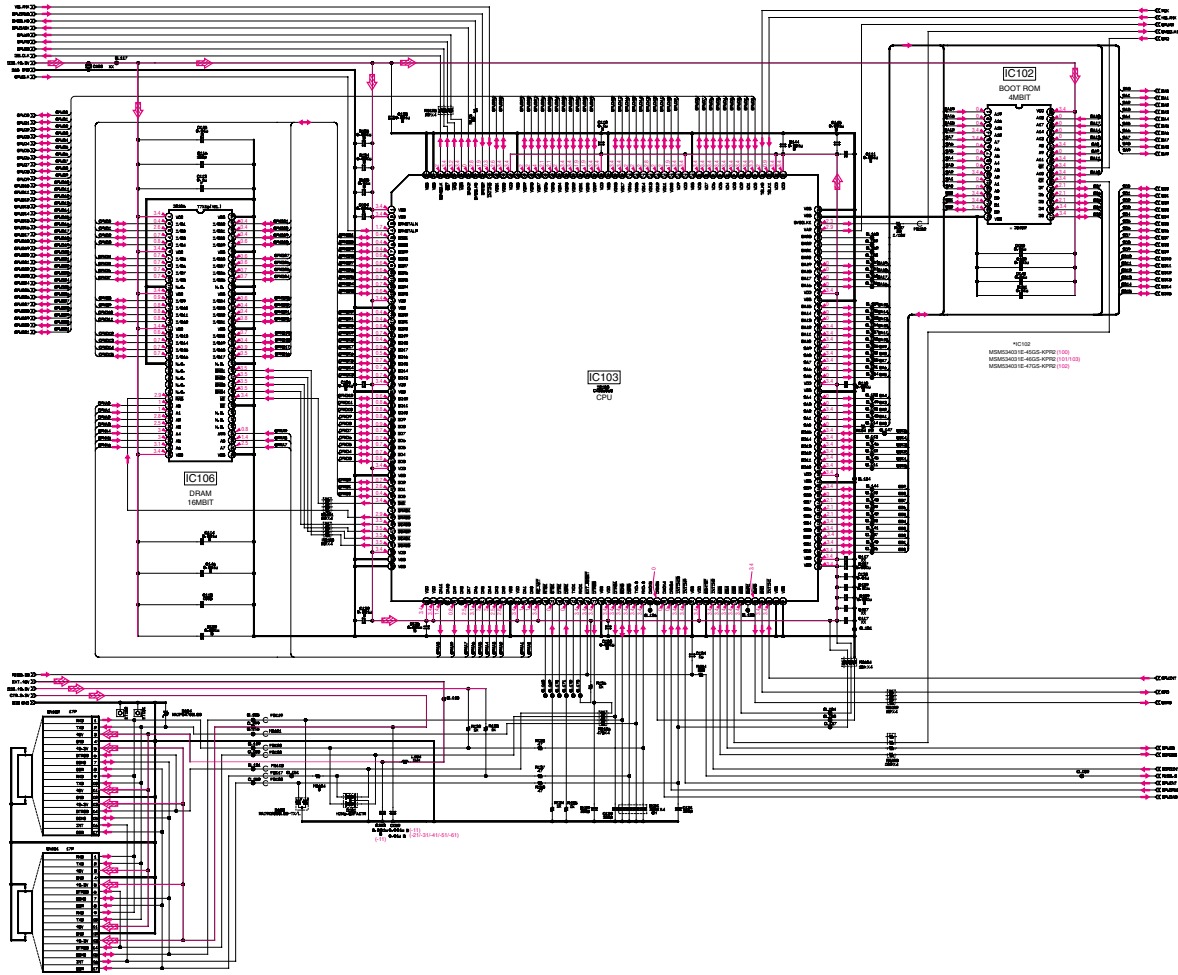
5-5. PRINTED WIRING BOARD (PM-41 (-71) BOARD) (SCPH-100/101/102/103)



Reproduction prohibited

5-6. SCHEMATIC DIAGRAM (PM-41 (-11/-21/-31/-41/-51/-61) BOARD (1/15))

PM-41 (-11/-21/-31/-41/-51/-61) BOARD (1/15)

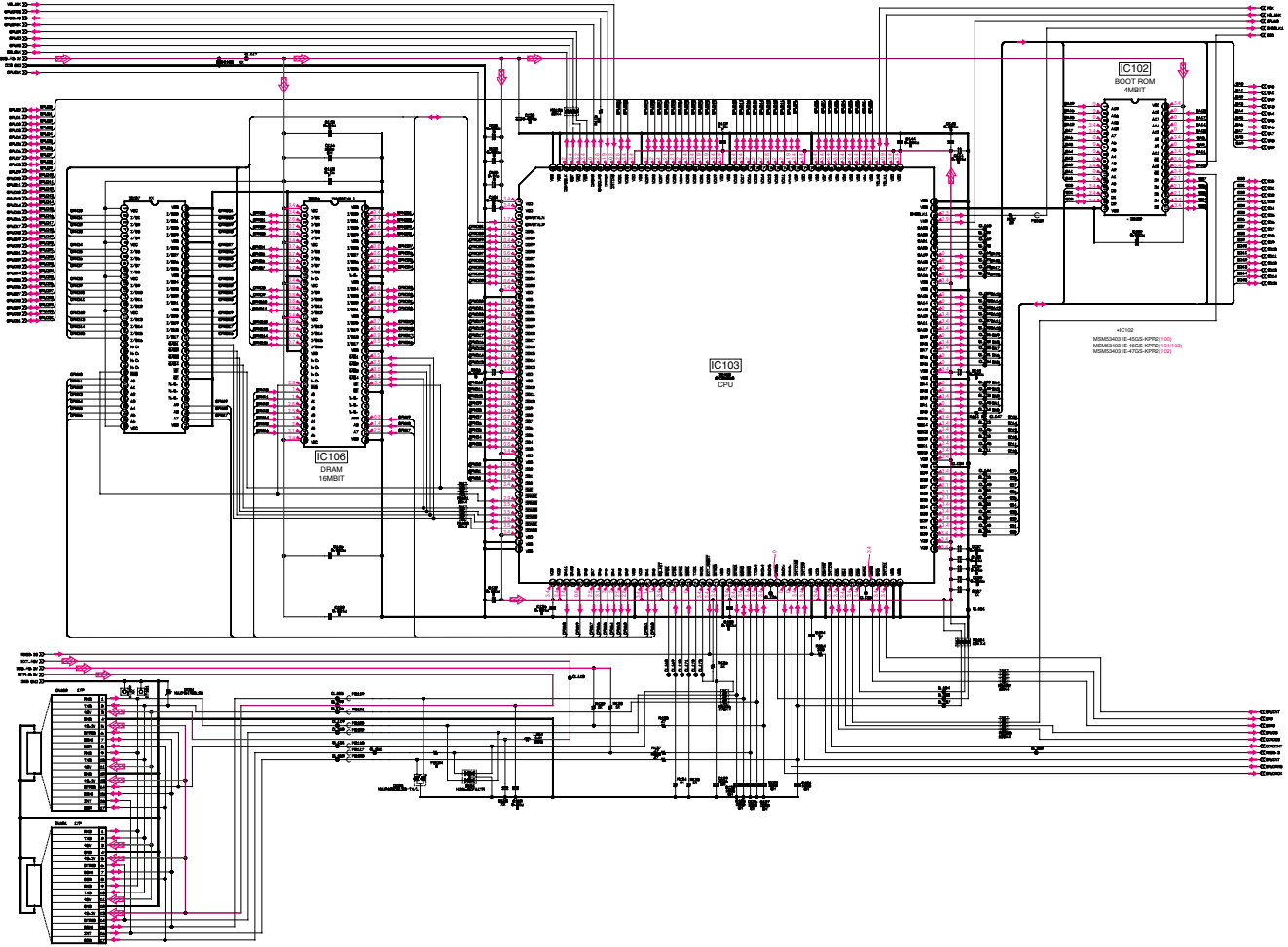


5-11

5-12

5-7. SCHEMATIC DIAGRAM (PM-41 (-71) BOARD (2/15))

PM-41 (-71) BOARD (2/15)





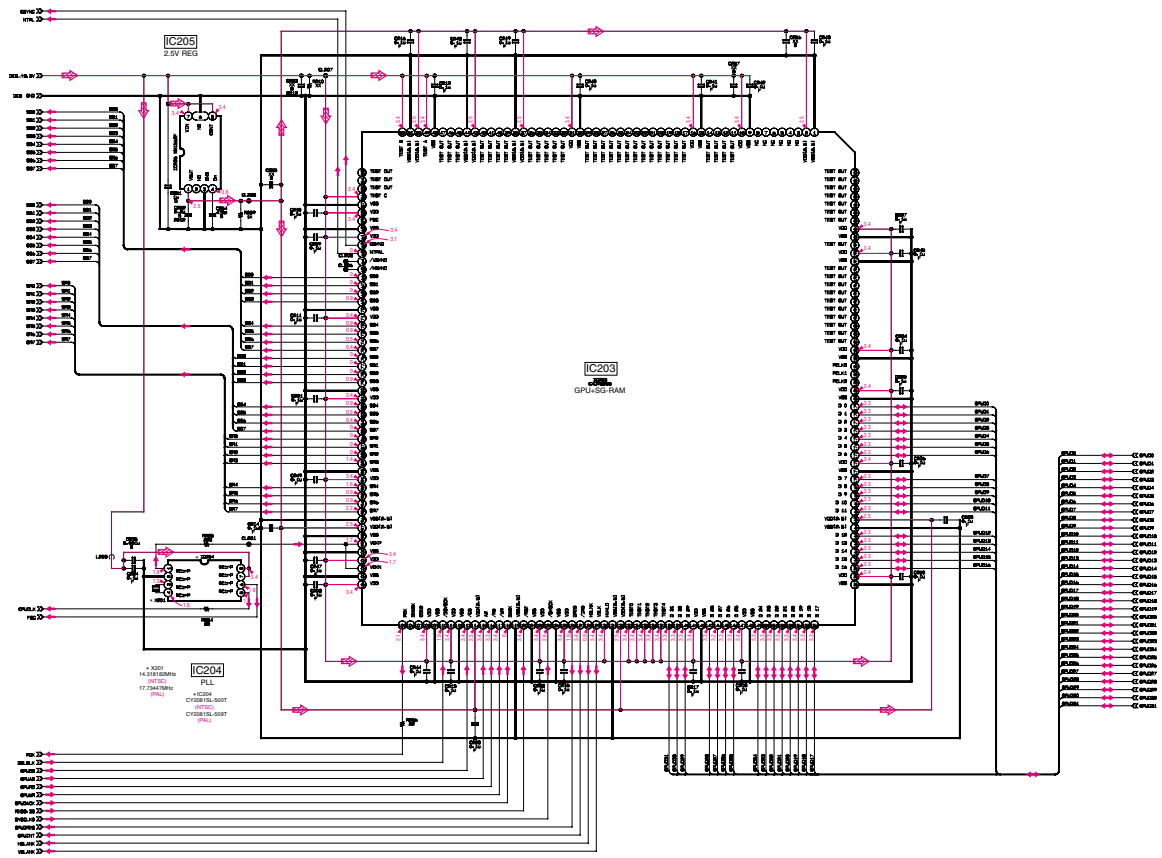




Reproduction prohibited

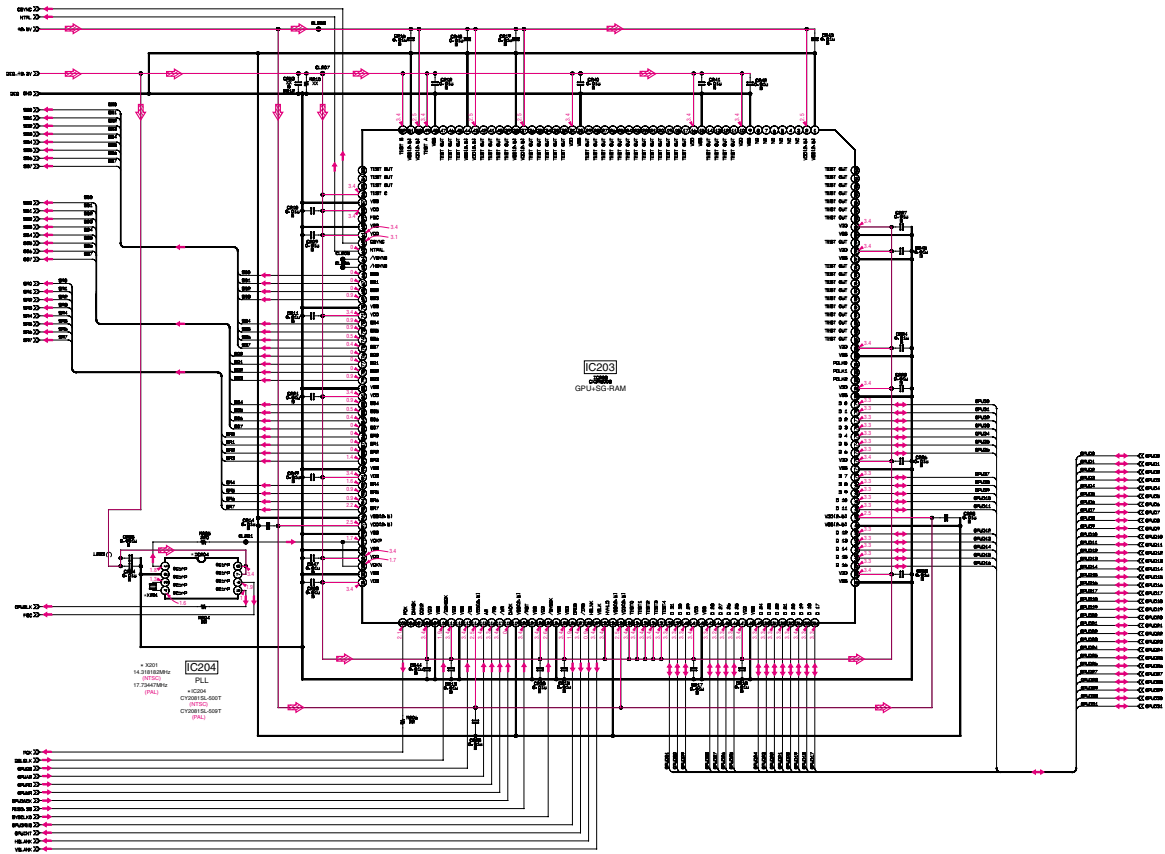
5-10. SCHEMATIC DIAGRAM (PM-41 (-61) BOARD (5/15))

PM-41 (-61) BOARD (5/15)



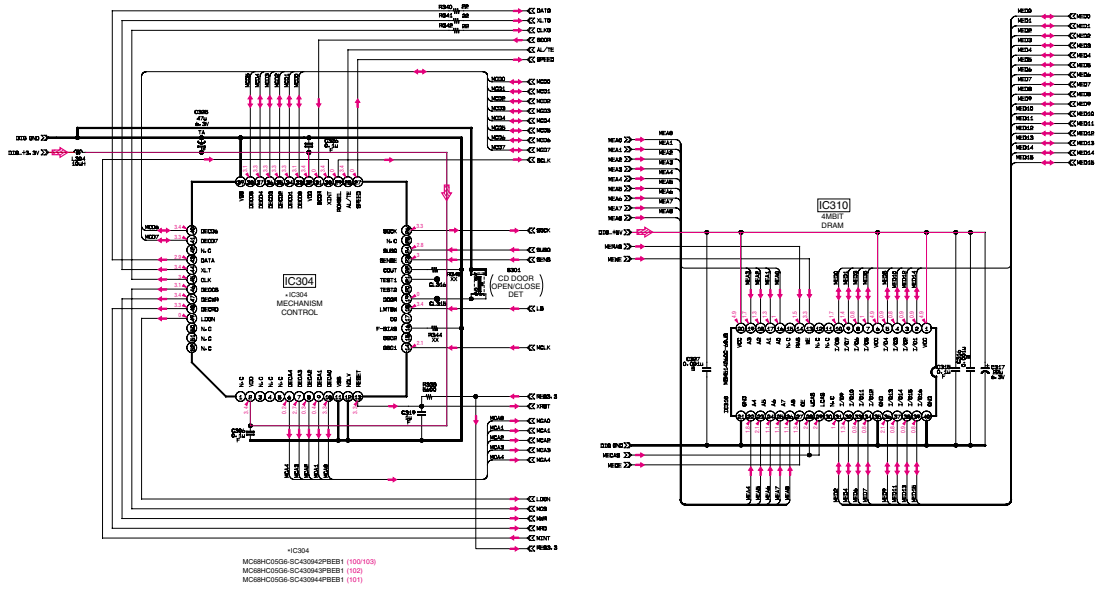
5-11. SCHEMATIC DIAGRAM (PM-41 (-71) BOARD (6/15))

PM-41 (-71) BOARD (6/15)



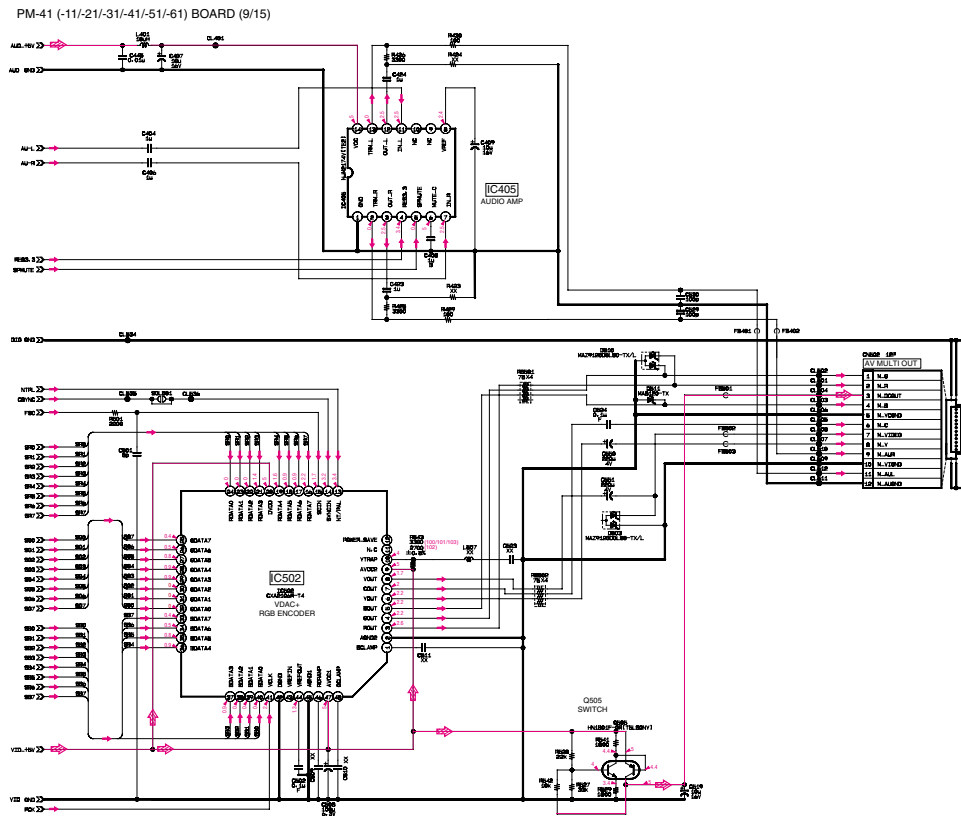
5-12. SCHEMATIC DIAGRAM (PM-41 (-11/-21/-31/-41/-51/-61) BOARD (7/15))

PM-41 (-11/-21/-31/-41/-51/-61) BOARD (7/15)





5-14. SCHEMATIC DIAGRAM (PM-41 (-11/21-31/41/51/61) BOARD (9/15))







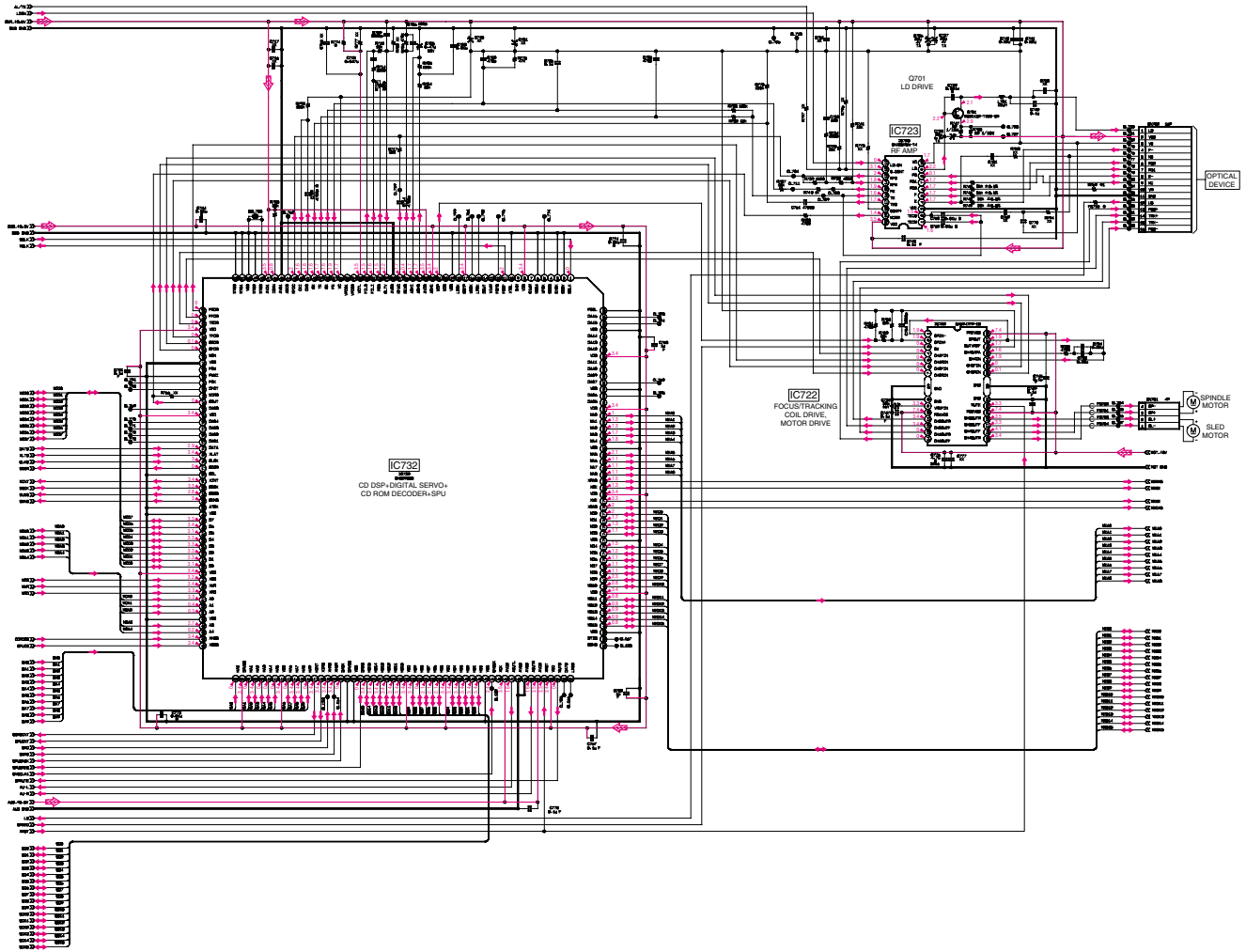






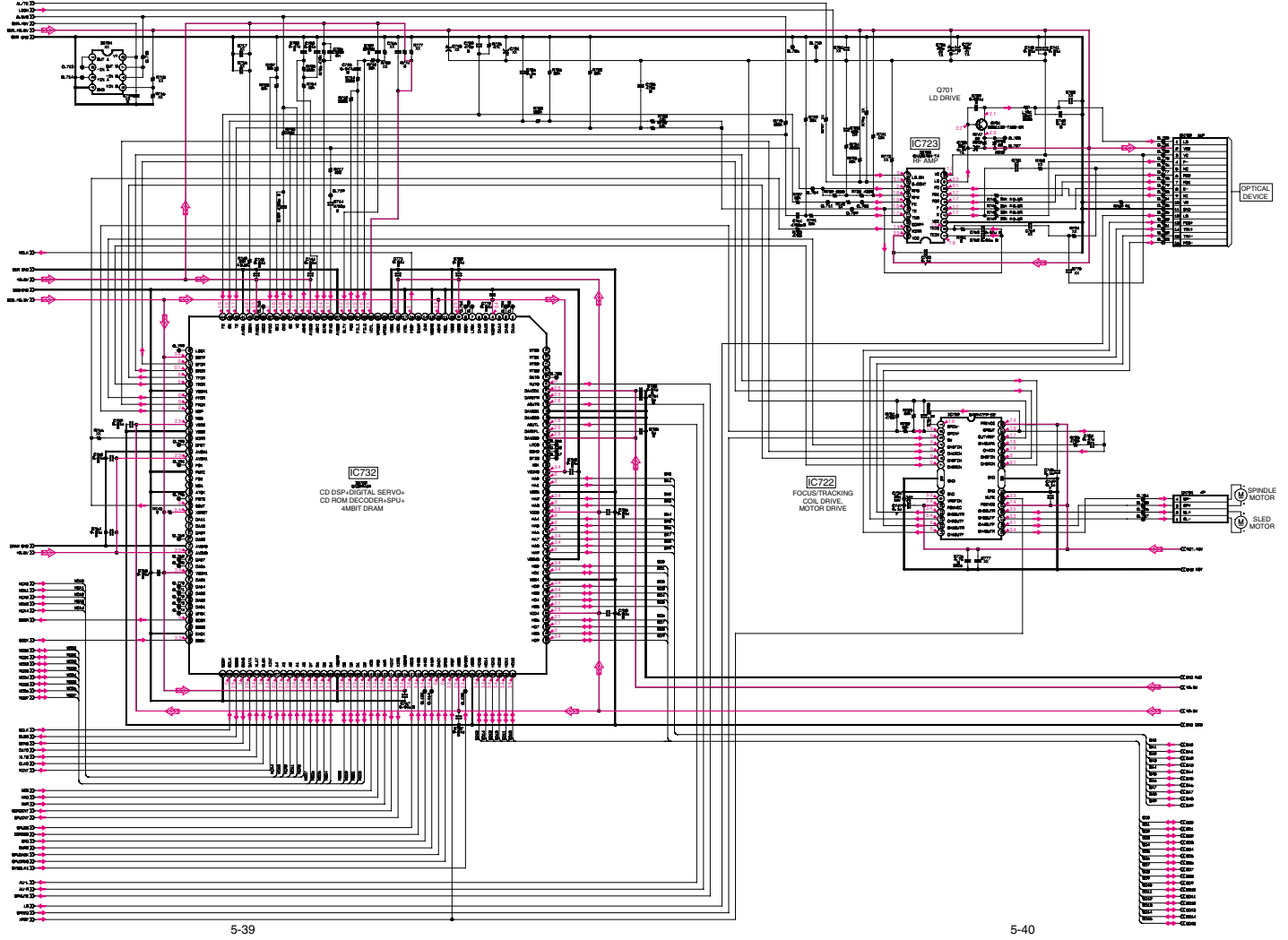
5-19. SCHEMATIC DIAGRAM (PM-41 (-11/-21/-31/-41/-51/-61) BOARD (14/15))

PM-41 (-11/-21/-31/-41/-51/-61) BOARD (14/15)



Reproduction prohibited

5-20. SCHEMATIC DIAGRAM (PM-41 (-71) BOARD (15/15))  
PM-41 (-71) BOARD (15/15)



Reproduction prohibited

SECTION 6  
ELECTRICAL PARTS LIST

Reproduction prohibited

**NOTE:**  
• Due to standardization, replacements in the parts list may be different from the parts specified in the diagrams or the components used on the set.  
• -XX and -X mean standardized parts, so they may have some difference from the original one.  
• RESISTORS  
F: nonflammable  
• SEMICONDUCTORS  
In each case, u, p, for example:  
uA.:  $\mu$ A., uPA.:  $\mu$ PA.,  
uPB.:  $\mu$ PB., uPC.:  $\mu$ PC., uPD.:  $\mu$ PD.,

• CAPACITORS  
uF.:  $\mu$ F.  
• COILS  
uH.:  $\mu$ H

When indicating parts by reference number, please include the board.

**NOTE:**  
• SC Classification:  
S : Stocked parts  
O : Ordered parts  
U : Unsupplied parts

The components identified by mark  $\Delta$ , or dotted line with mark  $\Delta$ , are critical for safety. Replace only with part number specified.

Les composants identifiés par une marque  $\Delta$  sont critiques pour la sécurité. Ne les remplacer que par une pièce portant le numéro spécifié.

SC	Ref. No.	Part No.	Description	Remark
O.	$\Delta$	A-6713-742-A	PM-41 BOARD, COMPLETE (100-11/21-31)	
O.	$\Delta$	A-6713-768-A	PM-41 BOARD, COMPLETE (101-21/31)	
O.	$\Delta$	A-6713-776-A	PM-41 BOARD, COMPLETE (102-21/31)	
O.	$\Delta$	A-6713-853-A	PM-41 BOARD, COMPLETE (100-41/51)	
O.	$\Delta$	A-6713-854-A	PM-41 BOARD, COMPLETE (101-41/51)	
O.	$\Delta$	A-6713-855-A	PM-41 BOARD, COMPLETE (102-41/51)	
O.	$\Delta$	A-6713-864-A	PM-41 BOARD, COMPLETE (103-41/51)	
O.	$\Delta$	A-6713-902-A	PM-41 BOARD, COMPLETE (101-61)	
O.	$\Delta$	A-6713-903-A	PM-41 BOARD, COMPLETE (100-61)	
O.	$\Delta$	A-6713-904-A	PM-41 BOARD, COMPLETE (102-61)	
O.	$\Delta$	A-6713-906-A	PM-41 BOARD, COMPLETE (103-61)	
O.	$\Delta$	A-6715-470-A	PM-41 BOARD, COMPLETE (100-71)	
O.	$\Delta$	A-6715-471-A	PM-41 BOARD, COMPLETE (101-71)	
O.	$\Delta$	A-6715-483-A	PM-41 BOARD, COMPLETE (102-71)	
O.	$\Delta$	A-6715-484-A	PM-41 BOARD, COMPLETE (103-71)	
*****				
< CAPACITOR >				
O	C007	1-164-156-11	CERAMIC CHIP 0.1uF 25V (-71)	
O	C008	1-163-021-91	CERAMIC CHIP 0.01uF 10% 50V (-11/-21)	
O	C009	1-125-837-91	CERAMIC CHIP 1uF 10% 6.3V (-11/-21)	
O	C009	1-125-891-11	CERAMIC CHIP 0.47uF 10% 10V (-31/-41/-51/-61/-71)	
O	C010	1-162-970-11	CERAMIC CHIP 0.01uF 10% 25V (-31/-41/-51/-61/-71)	
O	C101	1-125-764-41	CERAMIC CHIP 100PFx4 50V (-11/-21/-31/-41/-51/-61)	
O	C102	1-162-964-11	CERAMIC CHIP 0.001uF 10% 50V	
O	C104	1-162-964-11	CERAMIC CHIP 0.001uF 10% 50V	
O	C105	1-162-964-11	CERAMIC CHIP 0.001uF 10% 50V	
O	C106	1-162-964-11	CERAMIC CHIP 0.001uF 10% 50V	
O	C108	1-162-964-11	CERAMIC CHIP 0.001uF 10% 50V	
O	C109	1-162-964-11	CERAMIC CHIP 0.001uF 10% 50V	
O	C110	1-162-964-11	CERAMIC CHIP 0.001uF 10% 50V	
O	C111	1-162-964-11	CERAMIC CHIP 0.001uF 10% 50V	
O	C112	1-164-156-11	CERAMIC CHIP 0.1uF 25V	
O	C113	1-164-156-11	CERAMIC CHIP 0.1uF 25V	
O	C114	1-162-964-11	CERAMIC CHIP 0.001uF 10% 50V (-11/-21/-31/-41/-51/-61)	
O	C115	1-162-970-11	CERAMIC CHIP 0.01uF 10% 25V	
O	C116	1-162-927-11	CERAMIC CHIP 100PF 5% 50V	
O	C118	1-162-927-11	CERAMIC CHIP 100PF 5% 50V (-11/-21/-31/-41/-51/-61)	

SC	Ref. No.	Part No.	Description	Remark
O	C209	1-162-970-11	CERAMIC CHIP 0.01uF 10% 25V (-71)	
O	C210	1-162-970-11	CERAMIC CHIP 0.01uF 10% 25V (-11/-21/-31/-41/-51/-61)	
O	C210	1-164-156-11	CERAMIC CHIP 0.1uF 25V (-71)	
O	C211	1-162-964-11	CERAMIC CHIP 0.001uF 10% 50V (-11/-21/-31/-41/-51/-61)	
O	C211	1-162-970-11	CERAMIC CHIP 0.01uF 10% 25V (-71)	
O	C211	1-164-156-11	CERAMIC CHIP 0.1uF 25V (-61)	
O	C212	1-162-970-11	CERAMIC CHIP 0.01uF 10% 25V (-11/-21/-31/-41/-51/-71)	
O	C212	1-164-156-11	CERAMIC CHIP 0.1uF 25V (-61)	
O	C213	1-162-970-11	CERAMIC CHIP 0.01uF 10% 25V (-71)	
O	C213	1-164-156-11	CERAMIC CHIP 0.1uF 25V (-11/-21/-31/-41/-51/-61)	
O	C214	1-162-970-11	CERAMIC CHIP 0.01uF 10% 25V	
O	C214	1-164-156-11	CERAMIC CHIP 0.1uF 25V (-71)	
O	C215	1-162-970-11	CERAMIC CHIP 0.01uF 10% 25V (-71)	
O	C215	1-164-156-11	CERAMIC CHIP 0.1uF 25V (-11/-21/-31/-41/-51/-61)	
O	C216	1-162-964-11	CERAMIC CHIP 0.001uF 10% 50V (-11/-21/-31/-41/-51)	
O	C216	1-162-970-11	CERAMIC CHIP 0.01uF 10% 25V (-71)	
O	C216	1-164-156-11	CERAMIC CHIP 0.1uF 25V (-61)	
O	C217	1-162-970-11	CERAMIC CHIP 0.01uF 10% 25V (-71)	
O	C217	1-164-156-11	CERAMIC CHIP 0.1uF 25V (-11/-21/-31/-41/-51/-61)	
O	C218	1-162-970-11	CERAMIC CHIP 0.01uF 10% 25V (-71)	
O	C218	1-164-156-11	CERAMIC CHIP 0.1uF 25V (-11/-21/-31/-41/-51/-61)	
O	C219	1-162-970-11	CERAMIC CHIP 0.01uF 10% 25V (-71)	
O	C219	1-164-156-11	CERAMIC CHIP 0.1uF 25V (-11/-21/-31/-41/-51/-61)	
O	C220	1-162-970-11	CERAMIC CHIP 0.01uF 10% 25V (-71)	
O	C220	1-164-156-11	CERAMIC CHIP 0.1uF 25V (-11/-21/-31/-41/-51/-61)	
O	C221	1-162-970-11	CERAMIC CHIP 0.01uF 10% 25V (-71)	
O	C221	1-164-156-11	CERAMIC CHIP 0.1uF 25V (-11/-21/-31/-41/-51/-61)	
O	C222	1-164-156-11	CERAMIC CHIP 0.1uF 25V (-11/-21/-31/-41/-51)	

SC	Ref. No.	Part No.	Description	Remark
O	C223	1-162-970-11	CERAMIC CHIP 0.01uF 10% 25V (-71)	
O	C223	1-164-156-11	CERAMIC CHIP 0.1uF 25V (-11/-21/-31/-41/-51/-61)	
O	C224	1-162-970-11	CERAMIC CHIP 0.01uF 10% 25V (-71)	
O	C224	1-164-156-11	CERAMIC CHIP 0.1uF 25V (-11/-21/-31/-41/-51/-61)	
O	C225	1-164-156-11	CERAMIC CHIP 0.1uF 25V (-11/-21/-31/-41/-51)	
O	C226	1-164-156-11	CERAMIC CHIP 0.1uF 25V (-11/-21/-31/-41/-51)	
O	C227	1-162-970-11	CERAMIC CHIP 0.01uF 10% 25V (-71)	
O	C227	1-164-156-11	CERAMIC CHIP 0.1uF 25V (-11/-21/-31/-41/-51/-61)	
O	C228	1-162-970-11	CERAMIC CHIP 0.01uF 10% 25V (-71)	
O	C228	1-164-156-11	CERAMIC CHIP 0.1uF 25V (-11/-21/-31/-41/-51/-61)	
O	C234	1-162-970-11	CERAMIC CHIP 0.01uF 10% 25V (-71)	
O	C234	1-164-156-11	CERAMIC CHIP 0.1uF 25V (-11/-21/-31/-41/-51/-61)	
O	C235	1-162-964-11	CERAMIC CHIP 0.001uF 10% 50V (-11/-21/-31/-41/-51)	
O	C236	1-162-970-11	CERAMIC CHIP 0.01uF 10% 25V (-11/-21/-31/-41/-51)	
O	C236	1-164-156-11	CERAMIC CHIP 0.1uF 25V (-61)	
O	C238	1-162-964-11	CERAMIC CHIP 0.001uF 10% 50V (-11/-21/-31/-41/-51)	
O	C238	1-162-970-11	CERAMIC CHIP 0.01uF 10% 25V (-71)	
O	C238	1-164-156-11	CERAMIC CHIP 0.1uF 25V (-61)	
O	C239	1-163-275-11	CERAMIC CHIP 0.001uF 5% 50V (-11/-21/-31/-41/-51)	
O	C240	1-162-970-11	CERAMIC CHIP 0.01uF 10% 25V (-71)	
O	C240	1-164-156-11	CERAMIC CHIP 0.1uF 25V (-11/-21/-31/-41/-51/-61)	
O	C241	1-162-964-11	CERAMIC CHIP 0.001uF 10% 50V (-11/-21/-31/-41/-51)	
O	C241	1-162-970-11	CERAMIC CHIP 0.01uF 10% 25V (-71)	
O	C241	1-164-156-11	CERAMIC CHIP 0.1uF 25V (-61)	
O	C242	1-162-970-11	CERAMIC CHIP 0.01uF 10% 25V (-71)	
O	C242	1-163-021-91	CERAMIC CHIP 0.01uF 10% 50V (-11/-21/-31/-41/-51)	
O	C242	1-164-156-11	CERAMIC CHIP 0.1uF 25V (-61)	
O	C243	1-162-970-11	CERAMIC CHIP 0.01uF 10% 25V (-71)	

Reproduction prohibited

Reproduction prohibited

SC Ref. No.	Part No.	Description	Remark
O C243	1-163-021-91	CERAMIC CHIP	0.01uF 10% 50V (-11/-21/-31/-41/-51)
O C243	1-164-156-11	CERAMIC CHIP	0.1uF 25V (-61)
O C244	1-162-927-11	CERAMIC CHIP	100PF 5% 50V (-11/-21/-31/-41/-51)
O C244	1-162-970-11	CERAMIC CHIP	0.01uF 10% 25V (-71)
O C244	1-164-156-11	CERAMIC CHIP	0.1uF 25V (-61)
O C245	1-162-927-11	CERAMIC CHIP	100PF 5% 50V (-11/-21/-31/-41/-51)
O C245	1-162-970-11	CERAMIC CHIP	0.01uF 10% 25V (-71)
O C245	1-164-156-11	CERAMIC CHIP	0.1uF 25V (-61)
O C247	1-162-964-11	CERAMIC CHIP	0.001uF 10% 50V (-11/-21/-31/-41/-51)
O C247	1-162-970-11	CERAMIC CHIP	0.01uF 10% 25V (-71)
O C247	1-164-156-11	CERAMIC CHIP	0.1uF 25V (-61)
O C248	1-162-964-11	CERAMIC CHIP	0.001uF 10% 50V (-11/-21/-31/-41/-51)
O C248	1-162-970-11	CERAMIC CHIP	0.01uF 10% 25V (-71)
O C248	1-164-156-11	CERAMIC CHIP	0.1uF 25V (-61)
O C249	1-162-964-11	CERAMIC CHIP	0.001uF 10% 50V (-11/-21/-31/-41/-51)
O C249	1-162-970-11	CERAMIC CHIP	0.01uF 10% 25V (-71)
O C249	1-164-156-11	CERAMIC CHIP	0.1uF 25V (-61)
O C250	1-162-970-11	CERAMIC CHIP	0.01uF 10% 25V (-11/-21/-31/-41/-51/-71)
O C250	1-164-156-11	CERAMIC CHIP	0.1uF 25V (-61)
O C251	1-125-837-91	CERAMIC CHIP	1uF 10% 6.3V (-61)
O C252	1-125-838-11	CERAMIC CHIP	2.2uF 10% 6.3V (-61)
O C254	1-162-962-11	CERAMIC CHIP	470PF 10% 50V (-61)
O C306	1-164-156-11	CERAMIC CHIP	0.1uF 25V
O C315	1-164-156-11	CERAMIC CHIP	0.1uF 25V (-11/-21/-31/-41/-51/-61)
O C316	1-162-964-11	CERAMIC CHIP	0.001uF 10% 50V (-11/-21/-31/-41/-51/-61)
O C317	1-124-778-00	ELECT CHIP	22uF 20% 6.3V (-11/-21/-31/-41/-51/-61)
O C319	1-115-156-11	CERAMIC CHIP	1uF 10V
O C325	1-110-569-11	TANTAL CHIP	47uF 20% 6.3V (-11/-21/-31/-41/-51/-61)
O C326	1-164-156-11	CERAMIC CHIP	0.1uF 25V
O C327	1-162-964-11	CERAMIC CHIP	0.001uF 10% 50V (-11/-21/-31/-41/-51/-61)

SC Ref. No.	Part No.	Description	Remark
O C404	1-115-156-11	CERAMIC CHIP	1uF 10V (-71)
O C404	1-125-837-91	CERAMIC CHIP	1uF 10% 6.3V (-11/-21/-31/-41/-51/-61)
O C406	1-115-156-11	CERAMIC CHIP	1uF 10V (-71)
O C406	1-125-837-91	CERAMIC CHIP	1uF 10% 6.3V (-11/-21/-31/-41/-51/-61)
O C407	1-124-779-00	ELECT CHIP	100uF 20% 16V (-71)
O C407	1-128-004-11	ELECT CHIP	10uF 20% 16V (-11/-21/-31/-41/-51/-61)
O C408	1-115-156-11	CERAMIC CHIP	1uF 10V (-71)
O C408	1-125-837-91	CERAMIC CHIP	1uF 10% 6.3V (-11/-21/-31/-41/-51/-61)
O C409	1-124-779-00	ELECT CHIP	100uF 20% 16V (-71)
O C409	1-128-004-11	ELECT CHIP	10uF 20% 16V (-11/-21/-31/-41/-51/-61)
O C423	1-115-156-11	CERAMIC CHIP	1uF 10V (-71)
O C423	1-125-837-91	CERAMIC CHIP	1uF 10% 6.3V (-11/-21/-31/-41/-51/-61)
O C424	1-115-156-11	CERAMIC CHIP	1uF 10V (-71)
O C424	1-125-837-91	CERAMIC CHIP	1uF 10% 6.3V (-11/-21/-31/-41/-51/-61)
O C445	1-162-970-11	CERAMIC CHIP	0.01uF 10% 25V
O C501	1-162-910-11	CERAMIC CHIP	5PF 20% 50V
O C502	1-164-156-11	CERAMIC CHIP	0.1uF 25V
O C508	1-126-206-11	ELECT CHIP	100uF 20% 6.3V
O C519	1-124-779-00	ELECT CHIP	100uF 20% 16V (-71)
O C519	1-128-004-11	ELECT CHIP	10uF 20% 16V (-11/-21/-31/-41/-51/-61)
O C524	1-164-156-11	CERAMIC CHIP	0.1uF 25V
O C529	1-162-927-11	CERAMIC CHIP	100PF 5% 50V
O C530	1-162-927-11	CERAMIC CHIP	100PF 5% 50V
O C550	1-126-246-11	ELECT CHIP	220uF 20% 4V
O C551	1-126-246-11	ELECT CHIP	220uF 20% 4V
O C600	1-124-779-00	ELECT CHIP	10uF 20% 16V (-11/-21/-31/-41/-51)
O C601	1-126-204-11	ELECT CHIP	47uF 20% 16V (-11/-21/-31/-41/-51/-61)
O C601	1-137-765-21	ELECT CHIP	47uF 20% 16V (-71)
O C602	1-126-209-11	ELECT CHIP	100uF 20% 4V
O C603	1-117-881-11	ELECT CHIP	100uF 20% 16V (-11)
O C604	1-107-826-11	CERAMIC CHIP	0.1uF 10% 16V (-11)
O C605	1-126-204-11	ELECT CHIP	47uF 20% 16V (-11/-21/-31/-41/-51/-61)
O C605	1-137-765-21	ELECT CHIP	47uF 20% 16V (-71)

SC Ref. No.	Part No.	Description	Remark
O C606	1-162-970-11	CERAMIC CHIP	0.01uF 10% 25V (-71)
O C606	1-163-021-91	CERAMIC CHIP	0.01uF 10% 50V (-11/-21/-31/-41/-51/-61)
O C607	1-164-156-11	CERAMIC CHIP	0.1uF 25V
O C608	1-162-970-11	CERAMIC CHIP	0.01uF 10% 25V (-71)
O C608	1-164-156-11	CERAMIC CHIP	0.1uF 25V (-11/-21/-31/-41/-51/-61)
O C609	1-163-021-91	CERAMIC CHIP	0.01uF 10% 50V (-11/-21/-31/-41/-51/-61)
O C610	1-117-881-11	ELECT CHIP	100uF 20% 16V (-11)
O C617	1-126-205-11	ELECT CHIP	47uF 20% 6.3V
O C618	1-162-921-11	CERAMIC CHIP	33PF 5% 50V (-11/-21/-31/-41/-51/-61)
O C620	1-162-964-11	CERAMIC CHIP	0.001uF 10% 50V (-11)
O C620	1-163-009-91	CERAMIC CHIP	0.001uF 10% 50V (-21/-31/-41/-51/-61/-71)
O C621	1-115-156-11	CERAMIC CHIP	1uF 10V (-61)
O C622	1-162-964-11	CERAMIC CHIP	0.001uF 10% 50V
O C627	1-115-866-11	CERAMIC CHIP	4.7uF 10% 10V
O C631	1-162-970-11	CERAMIC CHIP	0.01uF 10% 25V
O C635	1-162-970-11	CERAMIC CHIP	0.01uF 10% 25V (-11/-21/-31/-41/-51/-61)
O C636	1-162-970-11	CERAMIC CHIP	0.01uF 10% 25V (-71)
O C637	1-126-246-11	ELECT CHIP	220uF 20% 4V (-11/-21/-31/-41/-51/-61)
O C638	1-162-970-11	CERAMIC CHIP	0.01uF 10% 25V (-71)
O C639	1-162-970-11	CERAMIC CHIP	0.01uF 10% 25V
O C641	1-115-156-11	CERAMIC CHIP	1uF 10V (-11/-21/-31/-41/-51/-61)
O C642	1-162-964-11	CERAMIC CHIP	0.001uF 10% 50V
O C644	1-125-837-91	CERAMIC CHIP	1uF 10% 6.3V (-71)
O C644	1-164-005-11	CERAMIC CHIP	0.47uF 25V (-11)
O C645	1-124-778-00	ELECT CHIP	22uF 20% 6.3V (-11)
O C645	1-125-838-11	CERAMIC CHIP	2.2uF 10% 6.3V (-71)
O C646	1-162-962-11	CERAMIC CHIP	470PF 10% 50V (-71)
O C646	1-164-005-11	CERAMIC CHIP	0.47uF 25V (-11)
O C647	1-107-826-11	CERAMIC CHIP	0.1uF 10% 16V (-11/-21/-31/-41/-51)
O C648	1-104-849-91	TANTAL CHIP	22uF 20% 6.3V (-11/-21/-31/-41/-51/-61)
O C648	1-119-750-11	TANTAL CHIP	22uF 20% 6.3V (-71)
O C649	1-107-826-11	CERAMIC CHIP	0.1uF 10% 16V (-11)

SC Ref. No.	Part No.	Description	Remark
O C649	1-162-970-11	CERAMIC CHIP	0.01uF 10% 25V (-61/-71)
O C652	1-162-970-11	CERAMIC CHIP	0.01uF 10% 25V (-71)
O C653	1-162-970-11	CERAMIC CHIP	0.01uF 10% 25V
O C654	1-162-970-11	CERAMIC CHIP	0.01uF 10% 25V (-11/-21/-31/-41/-51)
O C655	1-162-970-11	CERAMIC CHIP	0.01uF 10% 25V
O C656	1-162-970-11	CERAMIC CHIP	0.01uF 10% 25V (-11/-21/-31/-41/-51/-61)
O C657	1-162-970-11	CERAMIC CHIP	0.01uF 10% 25V (-11/-21/-31/-41/-51/-61)
O C658	1-162-970-11	CERAMIC CHIP	0.01uF 10% 25V
O C659	1-162-970-11	CERAMIC CHIP	0.01uF 10% 25V
O C660	1-162-970-11	CERAMIC CHIP	0.01uF 10% 25V (-11)
O C660	1-163-021-91	CERAMIC CHIP	0.01uF 10% 50V (-21/-31/-41/-51/-61/-71)
O C661	1-162-970-11	CERAMIC CHIP	0.01uF 10% 25V (-11)
O C662	1-127-692-11	CERAMIC CHIP	10uF 10% 6.3V (-21/-31/-41/-51/-61/-71)
O C663	1-126-206-11	ELECT CHIP	100uF 20% 6.3V (-71)
O C663	1-126-209-11	ELECT CHIP	100uF 20% 4V (-21/-31/-41/-51/-61)
O C664	1-117-808-91	CERAMIC CHIP	10uF 10% 10V (-21/-31/-41/-51/-61/-71)
O C665	1-162-962-11	CERAMIC CHIP	470PF 10% 50V (-21/-31/-41/-51/-61/-71)
O C666	1-124-779-00	ELECT CHIP	10uF 20% 16V (-21/-31/-41/-51/-61/-71)
O C690	1-162-970-11	CERAMIC CHIP	0.01uF 10% 25V
O C692	1-162-970-11	CERAMIC CHIP	0.01uF 10% 25V (-21/-31/-41/-51/-61/-71)
O C693	1-162-927-11	CERAMIC CHIP	100PF 5% 50V (-21/-31/-41/-51/-61/-71)
O C694	1-162-964-11	CERAMIC CHIP	0.001uF 10% 50V (-21/-31/-41/-51/-61/-71)
O C696	1-107-826-11	CERAMIC CHIP	0.1uF 10% 16V (-21/-31/-41/-51/-61/-71)
O C697	1-162-970-11	CERAMIC CHIP	0.01uF 10% 25V (-21/-31/-41/-51/-61/-71)
O C701	1-164-156-11	CERAMIC CHIP	0.1uF 25V (-11/-21/-31/-41/-51/-61)
O C702	1-115-156-11	CERAMIC CHIP	1uF 10V (-11/-21/-31/-41/-51/-61)
O C703	1-162-970-11	CERAMIC CHIP	0.01uF 10% 25V
O C704	1-162-967-11	CERAMIC CHIP	0.0033uF 10% 50V
O C705	1-125-891-11	CERAMIC CHIP	0.47uF 10% 10V (-71)
O C705	1-126-191-11	ELECT CHIP	0.47uF 20% 50V (-11/-21/-31/-41/-51/-61)
O C706	1-162-927-11	CERAMIC CHIP	100PF 5% 50V
O C709	1-164-174-11	CERAMIC CHIP	0.0082uF 10% 25V
O C714	1-162-968-11	CERAMIC CHIP	0.0047uF 10% 50V

Reproduction prohibited

Reproduction prohibited

SC Ref. No.	Part No.	Description	Remark
O C715	1-165-176-11	CERAMIC CHIP	0.047uF 10% 16V
O C720	1-162-962-11	CERAMIC CHIP	470PF 10% 50V
O C724	1-115-467-11	CERAMIC CHIP	0.22uF 10% 10V (-11/21-31/41-51/61)
O C724	1-125-891-11	CERAMIC CHIP	0.47uF 10% 10V (-71)
O C725	1-162-962-11	CERAMIC CHIP	470PF 10% 50V
O C726	1-107-826-11	CERAMIC CHIP	0.1uF 10% 16V
O C728	1-162-965-11	CERAMIC CHIP	88PF 5% 50V
O C729	1-162-968-11	CERAMIC CHIP	0.0047uF 10% 50V
O C731	1-124-779-00	ELECT CHIP	10uF 20% 16V (-71)
O C731	1-128-004-11	ELECT CHIP	10uF 20% 16V (-11/21-31/41-51/61)
O C733	1-115-467-11	CERAMIC CHIP	0.22uF 10% 10V (-11/21-31/41-51/61)
O C736	1-104-847-11	TANTAL. CHIP	22uF 20% 4V
O C737	1-104-847-11	TANTAL. CHIP	22uF 20% 4V
O C738	1-104-752-11	TANTAL. CHIP	33uF 20% 6.3V (-11/21-31/41-51/61)
O C738	1-165-877-91	TANTAL. CHIP	33uF 20% 6.3V (-71)
O C739	1-162-964-11	CERAMIC CHIP	0.001uF 10% 50V
O C740	1-115-467-11	CERAMIC CHIP	0.22uF 10% 10V (-11/21-31/41-51/61)
O C740	1-162-970-11	CERAMIC CHIP	0.01uF 10% 25V (-71)
O C741	1-115-467-11	CERAMIC CHIP	0.22uF 10% 10V (-11/21-31/41-51/61)
O C741	1-162-970-11	CERAMIC CHIP	0.01uF 10% 25V (-71)
O C742	1-107-826-11	CERAMIC CHIP	0.1uF 10% 16V
O C743	1-164-156-11	CERAMIC CHIP	0.1uF 10% 25V
O C744	1-162-970-11	CERAMIC CHIP	0.01uF 10% 25V
O C745	1-164-156-11	CERAMIC CHIP	0.1uF 10% 25V
O C747	1-164-156-11	CERAMIC CHIP	0.1uF 10% 25V (-71)
O C748	1-162-970-11	CERAMIC CHIP	0.01uF 10% 25V (-71)
O C749	1-164-156-11	CERAMIC CHIP	0.1uF 10% 25V
O C752	1-162-970-11	CERAMIC CHIP	0.01uF 10% 25V (-71)
O C753	1-162-970-11	CERAMIC CHIP	0.01uF 10% 25V (-71)
O C754	1-125-837-91	CERAMIC CHIP	1uF 10% 6.3V (-71)
O C755	1-125-837-91	CERAMIC CHIP	1uF 10% 6.3V (-71)
O C756	1-162-970-11	CERAMIC CHIP	0.01uF 10% 25V (-71)
O C757	1-162-970-11	CERAMIC CHIP	0.01uF 10% 25V (-71)
O C758	1-162-970-11	CERAMIC CHIP	0.01uF 10% 25V (-71)
O C759	1-162-970-11	CERAMIC CHIP	0.01uF 10% 25V (-71)

SC Ref. No.	Part No.	Description	Remark
O C760	1-162-970-11	CERAMIC CHIP	0.01uF 10% 25V (-71)
O C761	1-162-968-11	CERAMIC CHIP	0.0047uF 10% 50V (-71)
O C762	1-162-970-11	CERAMIC CHIP	0.01uF 10% 25V
O C763	1-162-970-11	CERAMIC CHIP	0.01uF 10% 25V
O C764	1-162-970-11	CERAMIC CHIP	0.01uF 10% 25V (-71)
O C765	1-162-970-11	CERAMIC CHIP	0.01uF 10% 25V (-71)
O C767	1-162-970-11	CERAMIC CHIP	0.01uF 10% 25V (-71)
O C767	1-164-156-11	CERAMIC CHIP	0.1uF 10% 25V (-11/21-31/41-51/61)
O C768	1-115-156-11	CERAMIC CHIP	1uF 10% 25V (-11/21-31/41-51/61)
O C768	1-162-970-11	CERAMIC CHIP	0.01uF 10% 25V (-71)
O C771	1-162-970-11	CERAMIC CHIP	0.01uF 10% 25V (-71)
O C772	1-162-970-11	CERAMIC CHIP	0.01uF 10% 25V (-71)
O C773	1-162-970-11	CERAMIC CHIP	0.01uF 10% 25V (-11/21-31/41-51/61)
O C774	1-162-970-11	CERAMIC CHIP	0.01uF 10% 25V (-11/21-31/41-51/61)
O C775	1-164-156-11	CERAMIC CHIP	0.1uF 10% 25V (-11/21-31/41-51/61)
O C776	1-115-566-11	CERAMIC CHIP	4.7uF 10% 10V
< TERMINAL BOARD >			
O CN101	1-694-748-11	TERMINAL BOARD (FRONT)	
O CN102	1-694-748-11	TERMINAL BOARD (FRONT)	
< CONNECTOR >			
O CN502	1-779-029-71	CONNECTOR, SQUARE TYPE 12P (AV MULTI OUT)	
O CN701	1-573-290-21	PIN, CONNECTOR (1.5mm) (SMD) 4P	
O CN702	1-779-071-21	CONNECTOR, FFC/FPC 16P	
< DIODE >			
O D002	8-719-976-99	DIODE DTZ5.18	
O D003	8-719-059-94	LED SML-010MT-186 (U/C)	
O D004	8-719-158-49	DIODE RD12S-B2 (-11/21-31/41-51/61)	
O D101	8-719-066-17	DIODE FTZ6.8E-T148	
O D103	8-719-067-59	DIODE MAZ9120D0LSO-TX/L (-11/21-31/41-51/61)	
O D104	8-719-065-68	DIODE MAZF04700LSO	
O D503	8-719-067-59	DIODE MAZ9120D0LSO-TX/L (-11/21-31/41-51/61)	
O D510	8-719-067-59	DIODE MAZ9120D0LSO-TX/L (-11/21-31/41-51/61)	
O D511	8-719-158-49	DIODE RD12S-B2 (-11/21-31/41-51/61)	
O D601	8-719-060-81	DIODE MA735-TX (-21/31-41/51/61-71)	

SC Ref. No.	Part No.	Description	Remark
< ON BOARD CONTACT >			
O ET101	1-694-892-31	ON BOARD CONTACT	
O ET102	1-694-892-31	ON BOARD CONTACT (-11/21-31/41-51/61)	
< FERRITE BEAD >			
O FB001	1-469-176-21	INDUCTOR, FERRITE BEAD (-11/21-31/41-51/61)	
O FB003	1-469-324-21	FERRITE, EMI (SMD) (-11/21-31/41-51/61)	
O FB102	1-469-110-21	FERRITE, EMI (SMD)	
O FB117	1-469-867-21	FERRITE, EMI (SMD)	
O FB118	1-469-867-21	FERRITE, EMI (SMD)	
O FB119	1-469-867-21	FERRITE, EMI (SMD)	
O FB120	1-414-760-21	FERRITE, EMI (SMD)	
O FB121	1-414-760-21	FERRITE, EMI (SMD)	
O FB122	1-414-760-21	FERRITE, EMI (SMD)	
O FB123	1-469-867-21	FERRITE, EMI (SMD)	
O FB124	1-216-864-11	METAL CHIP 0 5% 1/16W	
O FB401	1-500-113-22	BEAD, FERRITE (CHIP) (-11/21-31/41-51/61)	
O FB402	1-500-113-22	BEAD, FERRITE (CHIP) (-11/21-31/41-51/61)	
O FB501	1-550-907-21	BEAD, FERRITE (CHIP) (-11/21-31/41-51/61)	
O FB502	1-500-113-22	BEAD, FERRITE (CHIP) (-11/21-31/41-51/61)	
O FB503	1-500-113-22	BEAD, FERRITE (CHIP) (-11/21-31/41-51/61)	
O FB601	1-414-813-11	FERRITE, EMI (SMD)	
O FB602	1-469-324-21	FERRITE, EMI (SMD) (-11/21-31/41-51/61)	
O FB701	1-469-324-21	FERRITE, EMI (SMD) (-11/21-31/41-51/61)	
O FB702	1-469-324-21	FERRITE, EMI (SMD) (-11/21-31/41-51/61)	
O FB703	1-469-324-21	FERRITE, EMI (SMD) (-11/21-31/41-51/61)	
O FB704	1-469-324-21	FERRITE, EMI (SMD) (-11/21-31/41-51/61)	
O FB710	1-216-864-11	METAL CHIP 0 5% 1/16W (-11/21-31/41-51/61)	
< IC >			
S IC002	8-759-197-94	IC M51957BFP-6000 (-11/21)	
S IC003	8-759-824-75	IC RNSVD13AA-TL (-31/41-51/61-71)	
S IC102	6-800-362-01	IC MSMS34031E-46GS-KPR2 (100)	
S IC102	6-800-363-01	IC MSMS34031E-46GS-KPR2 (101/103)	
S IC102	6-800-364-01	IC MSMS34031E-47GS-KPR2 (102)	
S IC103	8-759-387-16	IC CXD86060	
S IC106	8-759-377-18	IC TCS1V18325BJ-60S(YE)	
S IC201	8-759-369-81	IC KM413262710-12 (-11/21-31)	
S IC201	8-759-684-14	IC K46163222A-PC70 (-41/51)	
S IC203	8-759-366-69	IC CXD86510 (-11/21-31/41-51)	
S IC203	8-759-656-47	IC CXD95000 (-61/71)	

SC Ref. No.	Part No.	Description	Remark
S IC204	8-759-496-22	IC CY2081SL-500T (NTSC)	
S IC204	8-759-496-23	IC CY2081SL-509T (PAL)	
S IC205	8-759-837-19	IC MM1562FBE (-61)	
S IC304	6-800-550-01	IC MC68HC056GPB-SC430947PBE81 (100-71,103-71)	
S IC304	6-800-551-01	IC MC68HC056GPB-SC430948PBE81 (102-71)	
S IC304	6-800-552-01	IC MC68HC056GPB-SC430949PBE81 (101-71)	
S IC304	8-759-598-55	IC MC68HC056G-SC430942PBE81 (100-11/21-31/41-51/61, 103-41/51/61)	
S IC304	8-759-598-56	IC MC68HC056G-SC430943PBE81 (102-21/31-41/51/61)	
S IC304	8-759-598-57	IC MC68HC056G-SC430944PBE81 (101-21/31-41/51/61)	
S IC310	8-759-342-01	IC MB814260-70PJR (-11/21-31/41-51/61)	
S IC405	6-700-780-01	IC NJM2790V(TE2) (-71)	
S IC405	8-759-598-10	IC NJM2174V(TE2) (-11/21-31/41-51/61)	
S IC601	8-752-086-02	IC CXA2106R-14	
S IC601	8-759-391-69	IC MC78M05CDTRK	
S IC602	8-759-598-12	IC LP2985IMSX-3.5 (-11/21-31/41-51/61)	
S IC603	8-759-691-04	IC BA0QAS2 (-11)	
S IC604	8-759-643-48	IC BA0QASP-E2 (-11)	
S IC606	8-759-346-78	IC TL594CD-R2 (-21)	
S IC607	8-759-680-31	IC TL594CPWR (-31/41-51/61-71)	
S IC608	8-759-837-19	IC MM1562FBE (-71)	
S IC722	8-759-677-90	IC BA5947FP-E2	
S IC723	8-752-087-83	IC CXA257M-14	
S IC732	8-752-395-18	IC CXD29380 (-11/21-31/41-51/61)	
S IC732	8-752-415-88	IC CXD2941R (-71)	
O.L.J001	1-695-565-11	JACK, DC (POLARITY UNIFIED TYPE) (DC IN 7.5V)	
< JACK >			
O L104	1-412-052-21	INDUCTOR 1uH	
O L105	1-412-052-21	INDUCTOR 1uH (-71)	
O L106	1-412-052-21	INDUCTOR 1uH	
O L203	1-469-867-21	FERRITE, EMI (SMD)	
O L304	1-412-951-11	INDUCTOR 10uH (-11/21-31/41-51/61)	
O L401	1-412-951-11	INDUCTOR 10uH (-11/21-31/41-51/61)	
O L601	1-412-052-21	INDUCTOR 1uH	
O L602	1-412-052-21	INDUCTOR 1uH (-21/31-41/51/61-71)	
O L603	1-424-674-11	INDUCTOR 22uH (-21/31-41/51/61-71)	
O L604	1-412-052-21	INDUCTOR 1uH (-11/21-31/41-51/61)	

The components identified by mark Δ or dotted line with mark Δ are critical for safety. Replace only with part number specified.	Les composants identifiés par une marque Δ sont critiques pour la sécurité. Ne les remplacer que par une pièce portant le numéro spécifié.
--	--

Reproduction prohibited

Reproduction prohibited

SC Ref. No.	Part No.	Description	Remark
O L605	1-412-052-21	INDUCTOR	1uH (-71)
O L606	1-412-951-11	INDUCTOR	10uH
O L607	1-412-960-21	INDUCTOR	56uH (-11/-21/-31/-41/-51/-61)
O L608	1-412-052-21	INDUCTOR	1uH (-21/-31/-41/-51)
O L608	1-469-523-91	INDUCTOR	2.2uH (-11)
O L609	1-412-951-11	INDUCTOR	10uH (-71)
O L701	1-412-951-11	INDUCTOR	10uH
< IC LINK >			
S.Δ PS004	1-576-123-21	LINK, IC (CCP2E20) 0.8A	
S.Δ PS004	1-576-611-21	FUSE, MICRO (1608 TYPE) 0.8A (-71)	
S.Δ PS600	1-576-398-21	LINK, IC (CCP2E63) 2.5A	
S.Δ PS600	1-576-415-11	FUSE, MICRO (1608 TYPE) 2A (-71)	
S.Δ PS601	1-576-123-21	LINK, IC (CCP2E20) 0.8A	
S.Δ PS601	1-576-611-21	FUSE, MICRO (1608 TYPE) 0.8A (-71)	
S.Δ PS602	1-576-123-21	LINK, IC (CCP2E20) 0.8A (-11)	
S.Δ PS603	1-576-123-21	LINK, IC (CCP2E20) 0.8A	
S.Δ PS606	1-576-123-21	LINK, IC (CCP2E20) 0.8A	
S.Δ PS606	1-576-611-21	FUSE, MICRO (1608 TYPE) 0.8A (-71)	
< TRANSISTOR >			
O Q002	8-729-010-05	TRANSISTOR	MSB709-RT1
O Q003	8-729-901-00	TRANSISTOR	DT124EK
O Q004	8-729-403-17	TRANSISTOR	XN1215 (-61/-71)
O Q505	8-729-049-77	TRANSISTOR	HN1801F-GR(TSLSONY)
O Q600	8-729-015-33	TRANSISTOR	2SB1073-GR-TX (-11)
O Q601	8-729-026-52	TRANSISTOR	2SA1576A-T106-R (-11)
O Q602	8-729-053-92	TRANSISTOR	2SB1424-T100-OR (-21/-31/-41/-51/-61/-71)
O Q701	8-729-903-46	TRANSISTOR	2SB1132-P
< RESISTOR >			
O R001	1-216-864-11	METAL CHIP	0 5% 1/16W (-31/-41/-51)
O R002	1-216-845-11	METAL CHIP	100K 5% 1/16W (-61/-71)
O R003	1-216-833-11	METAL CHIP	10K 5% 1/16W (-61/-71)
O R009	1-216-005-00	METAL CHIP	15 5% 1/10W
O R010	1-216-031-00	METAL CHIP	180 5% 1/10W
O R011	1-216-864-11	METAL CHIP	0 5% 1/16W (-31/-41/-51/-61)
O R011	1-218-839-11	METAL CHIP	470 0.5% 1/16W (-11/-21)
O R012	1-218-861-11	METAL CHIP	3.9K 0.5% 1/16W
O R013	1-218-839-11	METAL CHIP	3.3K 0.5% 1/16W
O R014	1-216-029-00	METAL CHIP	150 5% 1/10W
O R015	1-216-029-00	METAL CHIP	150 5% 1/10W

SC Ref. No.	Part No.	Description	Remark
O R104	1-216-801-11	METAL CHIP	22 5% 1/16W
O R107	1-216-009-91	RES-CHIP	22 5% 1/10W (-11/-21/-31/-41/-51/-61)
O R107	1-216-801-11	METAL CHIP	22 5% 1/16W (-71)
O R115	1-216-801-11	METAL CHIP	22 5% 1/16W
O R132	1-216-821-11	METAL CHIP	1K 5% 1/16W
O R133	1-216-821-11	METAL CHIP	1K 5% 1/16W
O R134	1-216-821-11	METAL CHIP	1K 5% 1/16W
O R135	1-216-821-11	METAL CHIP	1K 5% 1/16W
O R136	1-216-821-11	METAL CHIP	1K 5% 1/16W
O R137	1-216-805-11	METAL CHIP	47 5% 1/16W
O R138	1-216-805-11	METAL CHIP	47 5% 1/16W
O R150	1-216-805-11	METAL CHIP	47 5% 1/16W
O R154	1-216-815-11	METAL CHIP	330 5% 1/16W
O R204	1-216-821-11	METAL CHIP	22 5% 1/16W
O R205	1-216-813-11	METAL CHIP	220 5% 1/16W
O R206	1-216-801-11	METAL CHIP	22 5% 1/16W
O R207	1-216-829-11	METAL CHIP	4.7K 5% 1/16W (-11/-21/-31/-41/-51)
O R209	1-216-821-11	METAL CHIP	1K 5% 1/16W (-61)
O R215	1-216-829-11	METAL CHIP	4.7K 5% 1/16W (-11/-21/-31/-41/-51)
O R338	1-216-830-11	METAL CHIP	5.6K 5% 1/16W
O R340	1-216-801-11	METAL CHIP	22 5% 1/16W
O R341	1-216-801-11	METAL CHIP	22 5% 1/16W
O R342	1-216-801-11	METAL CHIP	22 5% 1/16W
O R425	1-216-827-11	METAL CHIP	3.3K 5% 1/16W
O R426	1-216-827-11	METAL CHIP	3.3K 5% 1/16W
O R429	1-216-809-11	METAL CHIP	100 5% 1/16W
O R430	1-216-809-11	METAL CHIP	100 5% 1/16W
O R501	1-216-825-11	METAL CHIP	2.2K 5% 1/16W
O R527	1-216-839-11	METAL CHIP	33K 5% 1/16W
O R528	1-216-837-11	METAL CHIP	22K 5% 1/16W
O R529	1-216-824-11	METAL CHIP	1.8K 5% 1/16W
O R541	1-216-824-11	METAL CHIP	1.8K 5% 1/16W
O R542	1-216-833-11	METAL CHIP	10K 5% 1/16W
O R543	1-218-857-11	METAL CHIP	2.7K 0.5% 1/16W (102)
O R543	1-218-859-11	METAL CHIP	3.3K 0.5% 1/16W (100/101/103)
O R606	1-216-821-11	METAL CHIP	1K 5% 1/16W (-11)
O R606	1-216-845-11	METAL CHIP	100K 5% 1/16W (-21/-31)
O R624	1-211-952-91	METAL CHIP	10 0.5% 1/10W
O R625	1-211-952-91	METAL CHIP	10 0.5% 1/10W (-11)
O R626	1-211-952-91	METAL CHIP	10 0.5% 1/10W (-11)
O R627	1-211-952-91	METAL CHIP	10 0.5% 1/10W (-11)

SC Ref. No.	Part No.	Description	Remark
O R628	1-216-805-11	METAL CHIP	47 5% 1/16W
O R629	1-216-825-11	METAL CHIP	2.2K 5% 1/16W (-11)
O R630	1-216-819-11	METAL CHIP	680 5% 1/16W (-11)
O R631	1-208-793-11	METAL CHIP	3K 0.5% 1/10W (-11)
O R632	1-208-800-11	METAL CHIP	5.6K 0.5% 1/10W (-11)
O R633	1-208-800-11	METAL CHIP	5.6K 0.5% 1/10W (-11)
O R634	1-208-793-11	METAL CHIP	3K 0.5% 1/10W
O R636	1-216-864-11	METAL CHIP	0 5% 1/16W (-11)
O R640	1-216-864-11	METAL CHIP	0 5% 1/16W
O R641	1-216-817-11	METAL CHIP	470 5% 1/16W (-71)
O R641	1-216-864-11	METAL CHIP	0 5% 1/16W
O R642	1-216-295-91	SHORT	0
O R642	1-216-864-11	METAL CHIP	0 5% 1/16W (-11/-21/-31/-41/-51/-61)
O R644	1-216-817-11	METAL CHIP	470 5% 1/16W (-71)
O R661	1-216-041-00	METAL CHIP	470 5% 1/10W (-21/-31/-41/-51/-61/-71)
O R662	1-218-860-11	METAL CHIP	3.6K 0.5% 1/16W (-21/-31/-41/-51/-61/-71)
O R663	1-218-887-11	METAL CHIP	620 0.5% 1/16W (-21/-31/-41/-51/-61/-71)
O R664	1-216-864-11	METAL CHIP	0 5% 1/16W (-21/-31/-41/-51/-61)
O R665	1-220-760-11	RES-CHIP	0.2 5% 1/2W (-21/-31/-41/-51/-61)
O R666	1-216-864-11	METAL CHIP	0 5% 1/16W (-21/-31/-41/-51/-61)
O R667	1-216-827-11	METAL CHIP	3.3K 5% 1/16W (-21/-31/-41/-51/-61)
O R668	1-216-813-11	METAL CHIP	220 5% 1/16W (-21/-31/-41/-51/-61)
O R681	1-216-041-00	METAL CHIP	470 5% 1/10W (-21/-31/-41/-51/-61/-71)
O R691	1-218-874-11	METAL CHIP	13K 0.5% 1/16W (-21/-31/-41/-51/-61/-71)
O R692	1-218-851-11	METAL CHIP	1.5K 0.5% 1/16W (-21/-31/-41/-51/-61/-71)
O R693	1-216-853-11	METAL CHIP	470K 5% 1/16W (-21/-31/-41/-51/-61/-71)
O R694	1-216-841-11	METAL CHIP	47K 5% 1/16W (-21/-31/-41/-51/-61/-71)
O R695	1-216-845-11	METAL CHIP	100K 5% 1/16W (-21/-31/-41/-51/-61/-71)
O R696	1-216-830-11	METAL CHIP	5.6K 5% 1/16W (-21/-31/-41/-51/-61/-71)
O R701	1-216-829-11	METAL CHIP	4.7K 5% 1/16W

SC Ref. No.	Part No.	Description	Remark
O R702	1-216-835-11	METAL CHIP	15K 5% 1/16W
O R703	1-216-844-11	METAL CHIP	82K 5% 1/16W
O R704	1-216-833-11	METAL CHIP	10K 5% 1/16W
O R705	1-216-845-11	METAL CHIP	100K 5% 1/16W
O R706	1-216-853-11	METAL CHIP	470K 5% 1/16W
O R707	1-218-727-11	RES-CHIP	30K 5% 1/16W (-71)
O R708	1-216-834-11	METAL CHIP	12K 5% 1/16W
O R710	1-216-833-11	METAL CHIP	10K 5% 1/16W (-71)
O R712	1-216-827-11	METAL CHIP	3.3K 5% 1/16W
O R714	1-216-827-11	METAL CHIP	3.3K 5% 1/16W
O R717	1-216-809-11	METAL CHIP	100 5% 1/16W
O R723	1-216-839-11	METAL CHIP	33K 5% 1/16W (-11/-21/-31/-41/-51/-61)
O R725	1-216-829-11	METAL CHIP	4.7K 5% 1/16W
O R726	1-218-727-11	RES-CHIP	30K 5% 1/16W (-71)
O R727	1-216-835-11	METAL CHIP	15K 5% 1/16W
O R728	1-216-845-11	METAL CHIP	100K 5% 1/16W (-71)
O R730	1-218-727-11	RES-CHIP	30K 5% 1/16W (-71)
O R732	1-216-834-11	METAL CHIP	12K 5% 1/16W
O R732	1-216-835-11	METAL CHIP	15K 5% 1/16W (-11/-21/-31/-41/-51/-61)
O R733	1-216-834-11	METAL CHIP	12K 5% 1/16W (-71)
O R733	1-216-845-11	METAL CHIP	100K 5% 1/16W (-11/-21/-31/-41/-51/-61)
O R734	1-216-825-11	METAL CHIP	2.2K 5% 1/16W
O R738	1-218-707-11	RES-CHIP	4.3K 5% 1/16W
O R739	1-216-829-11	METAL CHIP	1.5K 5% 1/16W
O R740	1-216-821-11	METAL CHIP	1K 5% 1/16W
O R741	1-216-834-11	METAL CHIP	12K 5% 1/16W
O R742	1-218-883-11	METAL CHIP	33K 0.5% 1/16W (-71)
O R743	1-216-864-11	METAL CHIP	0 5% 1/16W (-71)
O R745	1-218-884-11	METAL CHIP	36K 0.5% 1/16W
O R746	1-218-884-11	METAL CHIP	36K 0.5% 1/16W
O R747	1-216-009-91	RES-CHIP	22 5% 1/10W
O R748	1-218-883-11	METAL CHIP	33K 0.5% 1/16W
O R749	1-218-883-11	METAL CHIP	33K 0.5% 1/16W
O R750	1-216-009-91	RES-CHIP	22 5% 1/10W
O R751	1-216-864-11	METAL CHIP	0 5% 1/16W (-71)
O R769	1-218-667-11	RES-CHIP	91 5% 1/16W
O R770	1-216-845-11	METAL CHIP	100K 5% 1/16W
O R774	1-216-864-11	METAL CHIP	0 5% 1/16W
O R775	1-216-841-11	METAL CHIP	47K 5% 1/16W
O R783	1-216-829-11	METAL CHIP	4.7K 5% 1/16W
O R791	1-216-834-11	METAL CHIP	12K 5% 1/16W (-71)

The components identified by mark Δ, or dotted line with mark Δ, are critical for safety. Replace only with part number specified.	Les composants identifiés par une marque Δ, sont critiques pour la sécurité. Ne les remplacer que par une pièce portant le numéro spécifié.
--	---

Reproduction prohibited

Reproduction prohibited

SC Ref. No.	Part No.	Description	Remark
0	R792	1-218-727-11 RES-CHIP	30K 5% 1/16W (-71)
0	R793	1-218-845-11 METAL CHIP	100K 5% 1/16W
0	R795	1-218-833-11 METAL CHIP	10K 5% 1/16W
0	R901	1-216-295-91 SHORT	0 (101)
0	R902	1-216-295-91 SHORT	0 (102)
0	R903	1-216-295-91 SHORT	0 (103)
< NETWORK RESISTOR >			
0	RB120	1-234-030-11 RES. NETWORK (CHIP TYPE)	22X4
0	RB121	1-234-030-11 RES. NETWORK (CHIP TYPE)	22X4
0	RB122	1-234-030-11 RES. NETWORK (CHIP TYPE)	22X4
0	RB123	1-233-955-11 RES. NETWORK (CHIP TYPE)	100X4
0	RB124	1-233-967-11 RES. NETWORK (CHIP TYPE)	10KX4
0	RB125	1-234-030-11 RES. NETWORK (CHIP TYPE)	22X4
0	RB126	1-233-959-21 RES. NETWORK (CHIP TYPE)	470X4
0	RB201	1-234-030-11 RES. NETWORK (CHIP TYPE)	22X4 (-11/21/-31/-41/-51)
0	RB202	1-234-030-11 RES. NETWORK (CHIP TYPE)	22X4 (-11/21/-31/-41/-51)
0	RB203	1-234-467-21 RES. NETWORK (CHIP TYPE)	82X4 (-41/-51)
0	RB204	1-234-467-21 RES. NETWORK (CHIP TYPE)	82X4 (-41/-51)
0	RB205	1-234-467-21 RES. NETWORK (CHIP TYPE)	82X4 (-41/-51)
0	RB206	1-234-467-21 RES. NETWORK (CHIP TYPE)	82X4 (-41/-51)
0	RB207	1-234-467-21 RES. NETWORK (CHIP TYPE)	82X4 (-41/-51)
0	RB208	1-234-467-21 RES. NETWORK (CHIP TYPE)	82X4 (-41/-51)
0	RB209	1-234-467-21 RES. NETWORK (CHIP TYPE)	82X4 (-41/-51)
0	RB210	1-234-467-21 RES. NETWORK (CHIP TYPE)	82X4 (-41/-51)
0	RB501	1-234-482-21 RES. NETWORK (CHIP TYPE)	75X4
0	RB502	1-234-482-21 RES. NETWORK (CHIP TYPE)	75X4
< SWITCH >			
0.Δ	S001	1-762-745-22 SWITCH, PUSH (I/C)/RESET	
0	S301	1-771-764-11 SWITCH, PUSH (1 KEY) (CD DOOR OPEN/CLOSE DET)	
< VIBRATOR >			
S	X201	1-767-783-21 VIBRATOR, CRYSTAL (14.318182MHz) (NTSC)	
S	X201	1-767-940-22 VIBRATOR, CRYSTAL (17.73447MHz) (PAL)	

SC Ref. No.	Part No.	Description	Remark
		ACCESSORIES	
		*****	
<SCPH-100>			
0.Δ	AC	1-476-267-16 ADAPTOR, AC (SCPH-112)	
0	AV	1-792-028-11 CORD, CONNECTION (A/V CABLE)	
0	CONT	1-757-144-33 CORD, CONNECTION (ANALOG CONTROLLER)	
0	MANUAL	3-068-146-02 MANUAL, INSTRUCTION (JAPANESE)	
<SCPH-101>			
0.Δ	AC	1-476-409-21 ADAPTOR, AC (SCPH-113)	
0	AV	1-792-028-11 CORD, CONNECTION (A/V CABLE)	
0	CONT	1-757-144-33 CORD, CONNECTION (ANALOG CONTROLLER)	
0	MANUAL	3-065-224-12 MANUAL, INSTRUCTION (ENGLISH,FRENCH, SPANISH)	
<SCPH-102>			
0.Δ	AC	1-476-410-12 ADAPTOR, AC (SCPH-114) (102C)	
0.Δ	AC	1-476-411-11 ADAPTOR, AC (SCPH-115) (102B)	
0.Δ	AC	1-476-412-11 ADAPTOR, AC (SCPH-116) (102A)	
0	AV	1-792-028-11 CORD, CONNECTION (A/V CABLE)	
0	CONT	1-757-144-33 CORD, CONNECTION (ANALOG CONTROLLER)	
0.Δ	CONV	1-573-291-11 CONNECTOR, CONVERSION (102C)	
0	MANUAL	3-066-615-11 MANUAL, INSTRUCTION (ENGLISH) (102A)	
0	MANUAL	3-066-615-21 MANUAL, INSTRUCTION (ENGLISH) (102B)	
0	MANUAL	3-066-615-31 MANUAL, INSTRUCTION (FRENCH,SPANISH, GERMAN,ITALIAN,DUTCH,PORTUGUESE) (102C)	
0	MANUAL	3-066-615-53 MANUAL, INSTRUCTION (ENGLISH,RUSSIAN, ARABIC) (102D)	
0	RF	1-476-040-31 ADAPTOR, RF (102B)	
<SCPH-103>			
0.Δ	AC	1-476-410-12 ADAPTOR, AC (SCPH-114)	
0.Δ	AC	1-476-411-11 ADAPTOR, AC (SCPH-115)	
0.Δ	AC	1-476-387-11 ADAPTOR, AC (SCPH-117)	
0.Δ	AC	1-477-217-11 ADAPTOR, AC (SCPH-123D) (103D)	
0	AV	1-792-028-11 CORD, CONNECTION (A/V CABLE)	
0	CONT	1-757-144-33 CORD, CONNECTION (ANALOG CONTROLLER)	
0	MANUAL	3-066-615-42 MANUAL, INSTRUCTION (ENGLISH, TRADITIONAL CHINESE,HUNGARIAN)	

The components identified by mark Δ, or dotted line with mark Δ, are critical for safety. Replace only with part number specified.	Les composants identifiés par une marque Δ, sont critiques pour la sécurité. Ne les remplacer que par une pièce portant le numéro spécifié.
--	---