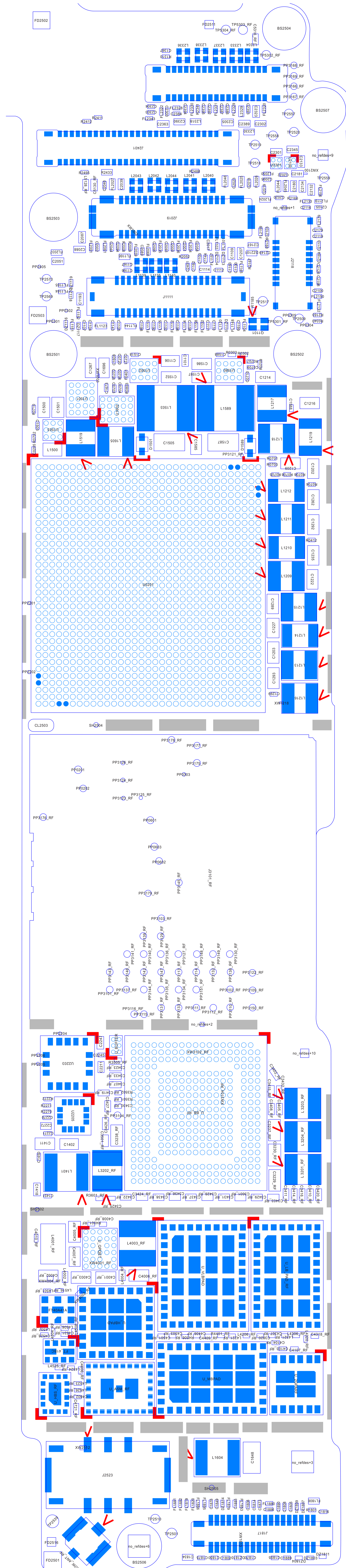
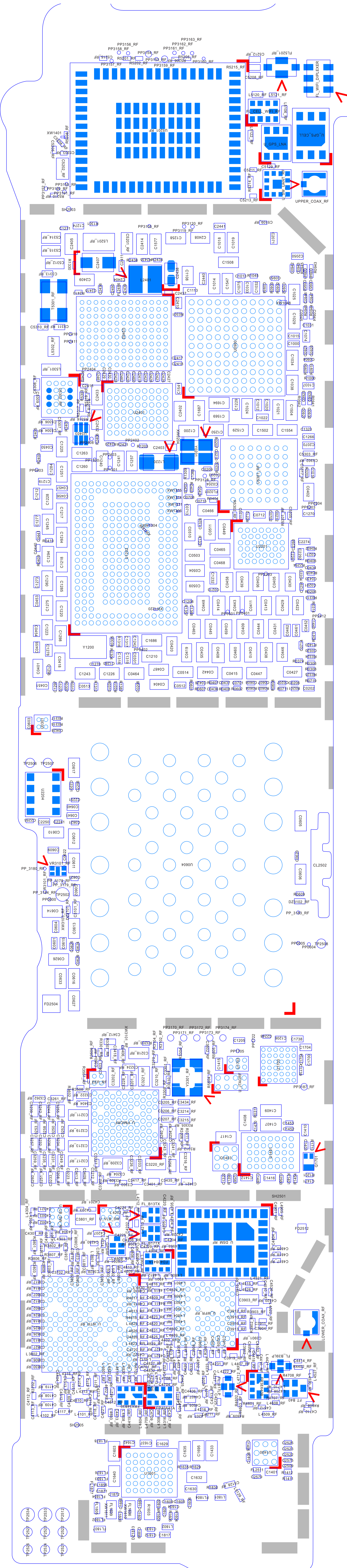


iphone6 5.5



1. ALL RESISTANCE VALUES ARE IN OHMS, 0.1 WATT +/- 5%.
 2. ALL CAPACITANCE VALUES ARE IN MICROFARADS.
 3. ALL CRYSTALS & OSCILLATOR VALUES ARE IN HERTZ.

Fri May 9 13:11:49 2014

REV	ECN	DESCRIPTION OF REVISION	CK APPD	DATE
6	0002780389	ENGINEERING RELEASED		2014-05-09

N56 MLB: CARRIER BUILD

PDF PAGE	CONTENTS		
2	SOC:MAIN	N61 MLB	11/01/2013
3	SOC:I/OS	N61 MLB	11/01/2013
4	SOC:VDDCA,VDD1/2,VDD,VDD_CPU,VDD_GPU	N61 MLB	10/03/2013
5	SOC:GND,VDDIO18,VDDIOD,VDD_VAR_SOC	N61 MLB	10/08/2013
6	SOC:NAND	N61 MLB	11/01/2013
7	SOC:CAM,LCD,LPDP,PCIE	N61 MLB	11/01/2013
8	IO:BUTTON FLEX CONN	N61 MLB	11/01/2013
9	AUDIO:L67 CODEC (1/2)	N61 MLB	11/01/2013
10	AUDIO:L67 CODEC (2/2)	N61 MLB	11/01/2013
11	CAMERA:FRONT FLEX CONN	N61 MLB	11/01/2013
12	POWER:ADI(1/2)	N61 MLB	10/03/2013
13	POWER:ADI(2/2)	N61 MLB	11/01/2013
14	POWER:TIGRISR,VIBE DRIVER	N61 MLB	11/01/2013
15	DISPLAY:CHESTNUT,BACKLIGHT DRIVER	N61 MLB	11/01/2013
16	AUDIO:SPKR AMP,STROBE	N61 MLB	11/01/2013
17	IO:TRISTAR2	N61 MLB	11/01/2013
18	IO:DOCK FLEX CONN	N61 MLB	10/08/2013
19	BLANK	N/A	N/A
20	DISPLAY:FLEX CONN	N61 MLB	11/01/2013
21	SENSORS:MESA FLEX CONN		08/26/2013
22	SENSORS:OSCAR,CARBON,PHOS,MAGNESIUM	N61 MLB	10/08/2013
23	CAMERA:REAR FLEX CONN	N61 MLB	11/01/2013
24	TOUCH:CUMULUS,MESON	N/A	N/A
25	POWER:BATT CONN,TPS,PD FEATURES	N/A	N/A
26	SYSTEM:VOLTAGE PROPERTIES	N61 MLB	11/01/2013
27	SYSTEM:N56 SPECIFIC	N56 RADIO MLB	08/15/2013
28	BLANK	N56 RADIO MLB	08/15/2013
29	BLANK	N56 RADIO MLB	08/15/2013
30	CELL:ALIASES	N56 RADIO MLB	08/15/2013
31	AP INTERFACE & DEBUG CONNECTORS	N56 RADIO MLB	05/07/2014
32	BASEBAND PMU (1 OF 2)	N56 RADIO MLB	05/07/2014
33	BASEBAND PMU (2 OF 2)	N56 RADIO MLB	05/07/2014
34	BASEBAND (1 OF 2)	N56 RADIO MLB	05/07/2014
35	BASEBAND (1 OF 2)	N56 RADIO MLB	05/07/2014
36	MOBILE DATA MODEM (2 OF 2)	N56 RADIO MLB	05/07/2014
37	RF TRANSCEIVER (1 OF 3)	N56 RADIO MLB	05/07/2014
38	RF TRANSCEIVER (2 OF 3)	N56 RADIO MLB	05/07/2014
39	RF TRANSCEIVER (3 OF 3)	N56 RADIO MLB	05/07/2014
40	QFE DCDC	N56 RADIO MLB	05/07/2014
41	2G PA	N56 RADIO MLB	05/07/2014
42	VERY LOW BAND PAD	N56 RADIO MLB	05/07/2014
43	LOW BAND PAD	N56 RADIO MLB	05/07/2014
44	MID BAND PAD	N56 RADIO MLB	05/07/2014
45	HIGH BAND PAD	N56 RADIO MLB	05/07/2014
46	ANTENNA SWITCH	N56 RADIO MLB	05/07/2014
47	HIGH BAND SWITCH	N56 RADIO MLB	05/07/2014
48	RX DIVERSITY	N56 RADIO MLB	05/07/2014
49	GPS	N56 RADIO MLB	05/07/2014
50	GPS	N56 RADIO MLB	05/07/2014
51	ANTENNA FEEDS	N56 RADIO MLB	05/07/2014
52	WIFI/BT: MODULE AND FRONT END	N56 RADIO MLB	05/07/2014
53		N56 RADIO MLB	05/07/2014
54	JUMPER	N56 RADIO MLB	05/07/2014
55	JUMPER	N56 RADIO MLB	05/07/2014

N56 BOM CALLOUTS

PART#	QTY	DESCRIPTION	REFERENCE DESIGNATOR(S)	CRITICAL	BOM OPTION
051-0517	1	SCH,MLB,N56	SCH	CRITICAL	?
820-3675	1	PCBF,MLB,N56	PCB	CRITICAL	?
825-6838	1	EEEE FOR 639-4924 16GB	EEEE_FKVB	CRITICAL	EEEE_16G
825-6838	1	EEEE FOR 639-6157 32GB	EEEE_FRR9	CRITICAL	EEEE_32G
825-6838	1	EEEE FOR 639-6158 64GB	EEEE_FRRC	CRITICAL	EEEE_64G
825-6838	1	EEEE FOR 639-00150 128GB	EEEE_G05J	CRITICAL	EEEE_128G
825-6838	1	EEEE FOR 639-00196 16GB NON-TDD-LTE	EEEE_G166	CRITICAL	EEEE_16G_DTD
825-6838	1	EEEE FOR 639-00194 32GB NON-TDD-LTE	EEEE_G163	CRITICAL	EEEE_32G_DTD
825-6838	1	EEEE FOR 639-00195 64GB NON-TDD-LTE	EEEE_G165	CRITICAL	EEEE_64G_DTD
825-6838	1	EEEE FOR 639-00197 128GB NON-TDD-LTE	EEEE_G164	CRITICAL	EEEE_128G_DTD

NAND BOM OPTIONS

PART#	QTY	DESCRIPTION	REFERENCE DESIGNATOR(S)	CRITICAL	BOM OPTION
335S0992	1	NAND,17NM,16GBX8,MLC,PPN1.5,64G,SHLGA60	U0604	CRITICAL	NAND_16G
335S0993	1	NAND,17NM,32GBX8,MLC,PPN1.5,64G,SHLGA60	U0604	CRITICAL	NAND_32G
335S1000	1	NAND,19NM,64GBX8,MLC,PPN1.5	U0604	CRITICAL	NAND_64G
335S00010	1	NAND,19NM,128GBX8,TLC,PPN1.5	U0604	CRITICAL	NAND_128G
138S00003	1	CAP_XSR,150P,20V,6.3V,0.65MM,RECTL,0402	C0614,C0633	CRITICAL	NOSTUFF
138S0867	1	CAP_XSR,100P,20V,6.3V,0.65MM,RECTL,0402	C0610,C0611,C0613,C0626	CRITICAL	NAND_16G
138S0867	1	CAP_XSR,100P,20V,6.3V,0.65MM,RECTL,0402	C0610,C0611,C0613,C0626,C0614,C0633	CRITICAL	NAND_32G
138S0867	1	CAP_XSR,100P,20V,6.3V,0.65MM,RECTL,0402	C0610,C0611,C0613,C0626,C0614,C0633	CRITICAL	NAND_64G
138S00003	1	CAP_XSR,150P,20V,6.3V,0.65MM,RECTL,0402	C0610,C0611,C0613,C0626,C0614,C0633	CRITICAL	NAND_128G

INVENSENSE ACCEL/GYRO

PART#	QTY	DESCRIPTION	REFERENCE DESIGNATOR(S)	CRITICAL	BOM OPTION
338S00017	1	IC,CARBON,MPU-6700-12,LGA16	U2203	CRITICAL	INVSNS_GYRO
132S0395	1	CAP,CER,0.1UF,10V,6.3V,X6G,0201	C2211	CRITICAL	INVSNS_GYRO

BOSCH ACCEL/GYRO

PART#	QTY	DESCRIPTION	REFERENCE DESIGNATOR(S)	CRITICAL	BOM OPTION
338S00028	1	IC,CARBON,BMI162BC,LGA16	U2203	CRITICAL	BOSCH_GYRO
132S0395	1	CAP,CER,0.1UF,10V,6.3V,X6G,0201	C2211	CRITICAL	BOSCH_GYRO

ST ACCEL/GYRO

PART#	QTY	DESCRIPTION	REFERENCE DESIGNATOR(S)	CRITICAL	BOM OPTION
338S00029	1	IC,CARBON,AP6DS2AA,LGA16	U2203	CRITICAL	ST_GYRO
132S0391	1	CAP,CER,0.01UF,10V,25V,X5R,0201	C2211	CRITICAL	ST_GYRO

ALTERNATE BOM OPTIONS

PART NUMBER	ALTERNATE FOR PART NUMBER	BOM OPTION	REF DES	COMMENTS:
152S1844	152S1836	ALTERNATE	L1604	TY ALT INDUCTOR
152S1802	152S1849	ALTERNATE	L1519	CYNTEC ALT INDUCTOR
152S1842	152S1849	ALTERNATE	L1519	TY ALT INDUCTOR
197S0392	197S0369	ALTERNATE	Y1200	ESPO ALT XTAL
197S0399	197S0369	ALTERNATE	Y1200	NDK ALT XTAL
338S1285	338S1202	ALTERNATE	U1601	L21 B0
152S2034	152S2033	ALTERNATE	L1605	CYNTEC 1.00UH 1.2MM
152S2034	152S2033	ALTERNATE	L1605	CYNTEC 1.00UH 1.2MM
152S00004	152S2049	ALTERNATE	L1605	CYNTEC 0.47UH 1.2MM
343S0688	343S0638	ALTERNATE	U2401	CUMULUS C1, FAB14
155S00012	155S00009	ALTERNATE	F10802,F11803	MURATA, 65OHM CHOKE
118S0764	118S0717	ALTERNATE	R1309	3.92KOHM, 01005
155S0773	155S0453	ALTERNATE	F10801	TY, 120OHM, FERRITE
155S0885	155S0610	ALTERNATE	F10802,F11803	TY, 150OHM, FERRITE
377S0168	377S0140	ALTERNATE	DR1113	AMOTECH, 6.8V, 100PF
138S0648	138S0652	ALTERNATE	C1018	TY, 4.7UF, 0402
138S0657	138S0702	ALTERNATE	C1018,C1019,C1020	SAMSUNG, 4.3UF, 0610
138S00005	138S00003	ALTERNATE	C0605	TY, 15UF, HRETL, 0402
152S2031	152S1800	ALTERNATE	L1401	MURATA, 1UH, 2520
152S1840	152S1801	ALTERNATE	L1215	TY, 1UH, 2016
335S00013	335S0894	ALTERNATE	U0301,U_SEP_09	ST 8K EEPROM
339S0247	339S0246	ALTERNATE	U0201	FIJI 1GB HYNIX B0
339S00006	339S0246	ALTERNATE	U0201	FIJI,B1,E
339S00007	339S0246	ALTERNATE	U0201	FIJI,B1,H
339S00008	339S0246	ALTERNATE	U0201	FIJI,B1,S

138S0917 WILL NOT BE USED AT THE CARRIER BUILD AND WILL BE REPLACED BY 138S0831 AT DVT.

138S0831	138S0917	ALTERNATE	C0204	MURATA, 2.2UF, 0201
138S00019	138S0917	ALTERNATE	C0204	KYOCERA, 2.2UF, 0201

ALTERNATE NAND BOM OPTIONS

335S1038	335S0992	ALTERNATE	U0604	NAND HYNIX 16GB
335S0994	335S1000	ALTERNATE	U0604	NAND TOSHIBA 64GB
335S1040	335S1000	ALTERNATE	U0604	NAND HYNIX 64GB
335S00009	335S1000	ALTERNATE	U0604	NAND SANDISK 64GB TLC
335S00014	335S1000	ALTERNATE	U0604	NAND TOSHIBA 64GB TLC
335S00015	335S00010	ALTERNATE	U0604	NAND TOSHIBA 128GB

BOM DEVIATIONS

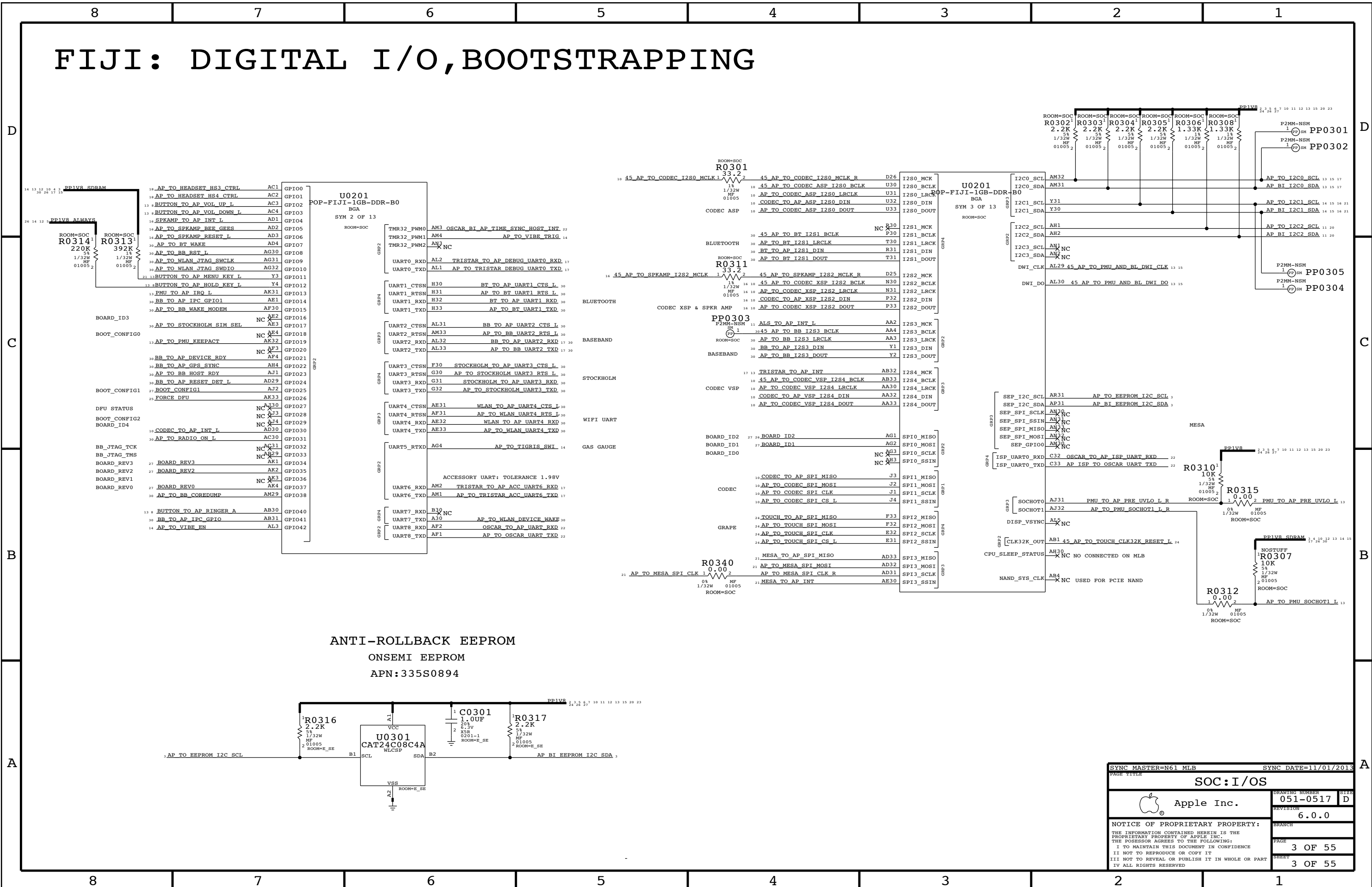
PART#	QTY	DESCRIPTION	REFERENCE DESIGNATOR(S)	CRITICAL	BOM OPTION
604-00416	1	ASSY,SHIELD,LOWER BACK,1P,N56	SH2501	CRITICAL	COMMON
604-8159	1	ASSY,SHIELD,LOWER FRONT,N56	SH2502	CRITICAL	COMMON
806-00401	1	SHIELD,ENI,UPPER BACK,EXTENDED FOOT,N56	SH2503	CRITICAL	COMMON
604-8158	1	ASSY,SHIELD,UPPER FRONT,N56	SH2504	CRITICAL	COMMON
604-00244	1	SUBASSY,SHIELD,SA	SH2505	CRITICAL	COMMON

SCH 051-0517
 BRD 820-3675
 MCO 056-6398

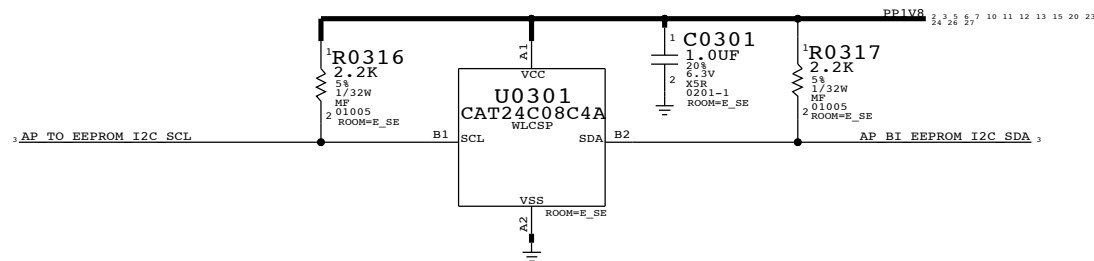
BOM 639-4924 (16GB) BOM 639-00196 (16GB, DTD)
 BOM 639-6157 (32GB) BOM 639-00194 (32GB, DTD)
 BOM 639-6158 (64GB) BOM 639-00195 (64GB, DTD)
 BOM 639-00150 (128GB) BOM 639-00197 (128GB, DTD)

DRAWING TITLE		SCHEM,MLB,N56	
Apple Inc.		DRAWING NUMBER	051-0517
		REVISION	6.0.0
NOTICE OF PROPRIETARY PROPERTY:		BRANCH	
THE INFORMATION CONTAINED HEREIN IS THE PROPRIETARY PROPERTY OF APPLE INC. THE POSSESSOR AGREES TO THE FOLLOWING:		PAGE	1 OF 55
I TO MAINTAIN THIS DOCUMENT IN CONFIDENCE		SHEET	1 OF 55
II NOT TO REPRODUCE OR COPY IT			
III NOT TO REVEAL OR PUBLISH IT IN WHOLE OR PART			
IV ALL RIGHTS RESERVED			

FIJI: DIGITAL I/O, BOOTSTRAPPING



ANTI-ROLLBACK EEPROM
 ONSEMI EEPROM
 APN: 335S0894



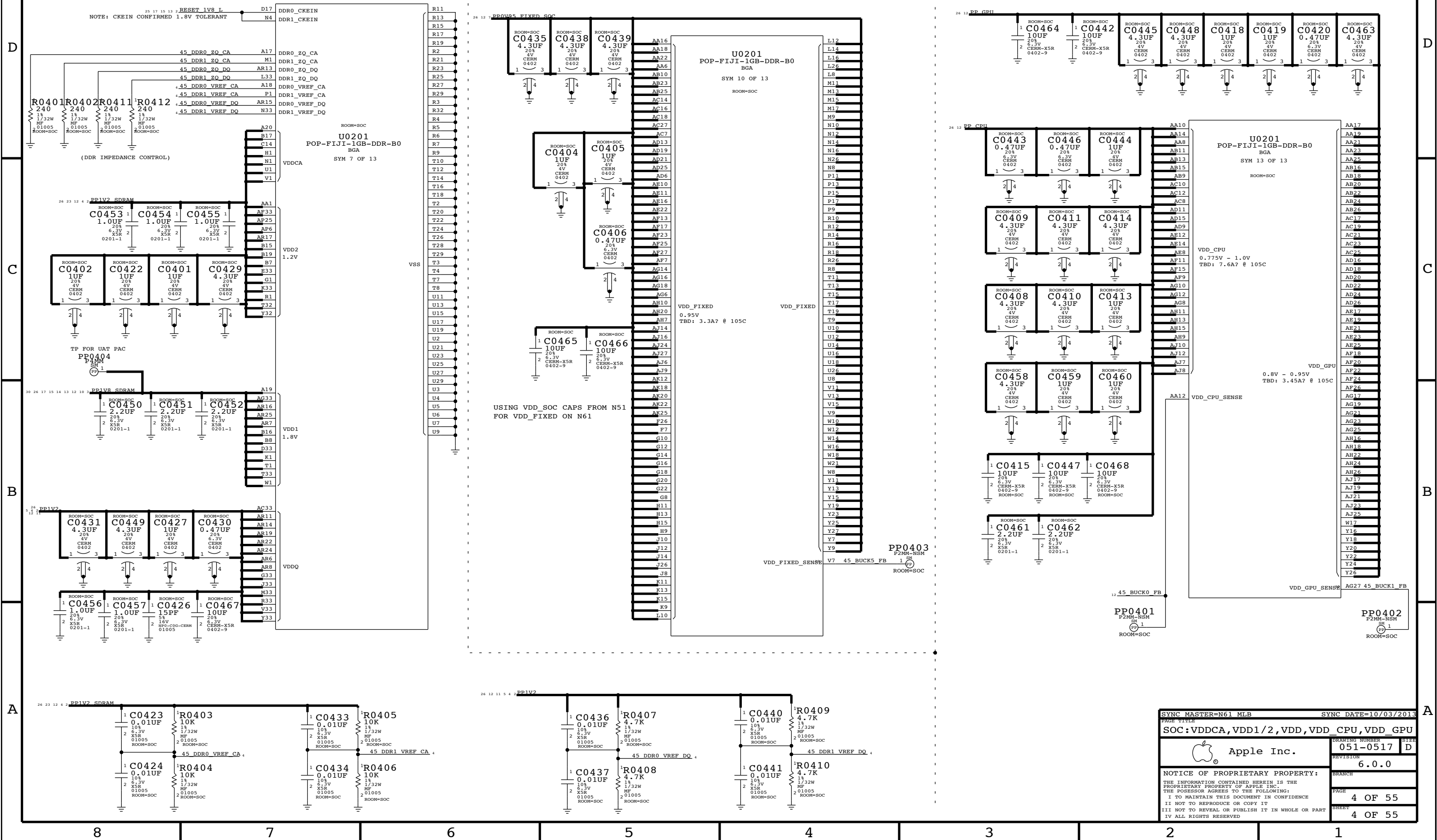
SYNC MASTER=N61 MLB		SYNC DATE=11/01/2013	
PAGE TITLE			
SOC: I/OS		DRAWING NUMBER	SIZE
Apple Inc.		051-0517	D
		REVISION	
		6.0.0	
NOTICE OF PROPRIETARY PROPERTY:		BRANCH	
THE INFORMATION CONTAINED HEREIN IS THE PROPRIETARY PROPERTY OF APPLE INC. THE POSSESSOR AGREES TO THE FOLLOWING:		PAGE	
I TO MAINTAIN THIS DOCUMENT IN CONFIDENCE		3 OF 55	
II NOT TO REPRODUCE OR COPY IT		SHEET	
III NOT TO REVEAL OR PUBLISH IT IN WHOLE OR PART		3 OF 55	
IV ALL RIGHTS RESERVED			

FIJI: VDDCA, VDD1/2, VDDQ, VDD, VDD_FIXED, VDD_CPU, VDD_GPU

VDDCA, VDD1/2, VDDQ

VDD

VDD_CPU, VDD_GPU

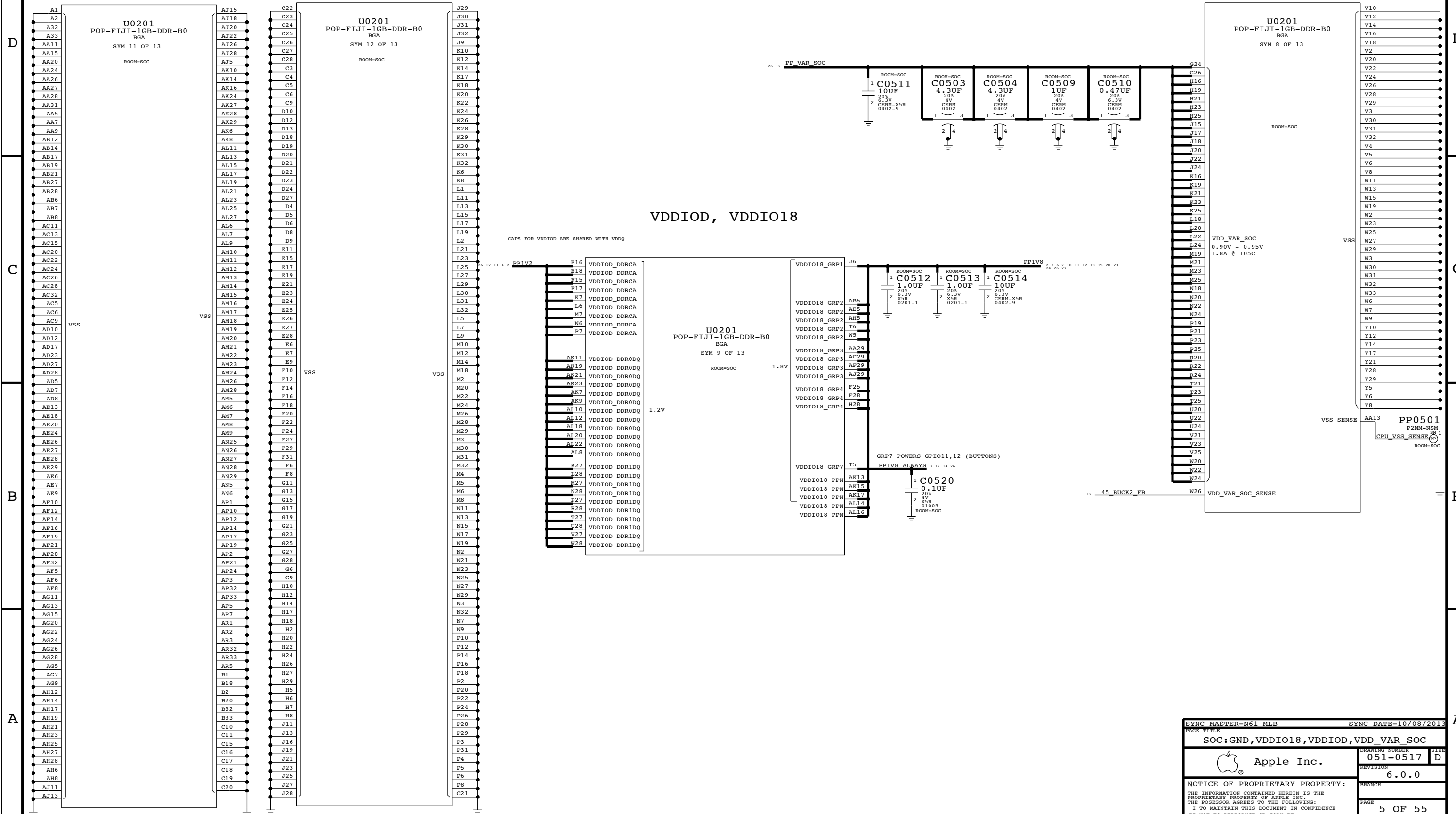


SYNC MASTER=N61 MLB		SYNC DATE=10/03/2013	
PAGE TITLE SOC:VDDCA,VDD1/2,VDD,VDD_CPU,VDD_GPU			
Apple Inc.		DRAWING NUMBER 051-0517	SIZE D
NOTICE OF PROPRIETARY PROPERTY: THE INFORMATION CONTAINED HEREIN IS THE PROPRIETARY PROPERTY OF APPLE INC. THE POSSESSOR AGREES TO THE FOLLOWING: I TO MAINTAIN THIS DOCUMENT IN CONFIDENCE II NOT TO REPRODUCE OR COPY IT III NOT TO REVEAL OR PUBLISH IT IN WHOLE OR PART IV ALL RIGHTS RESERVED		REVISION 6.0.0	PAGE 4 OF 55
		SHEET 4 OF 55	

FIJI: VDDIOD, VDDIO18, VDD_VAR_SOC

JUST A FEW GNDS

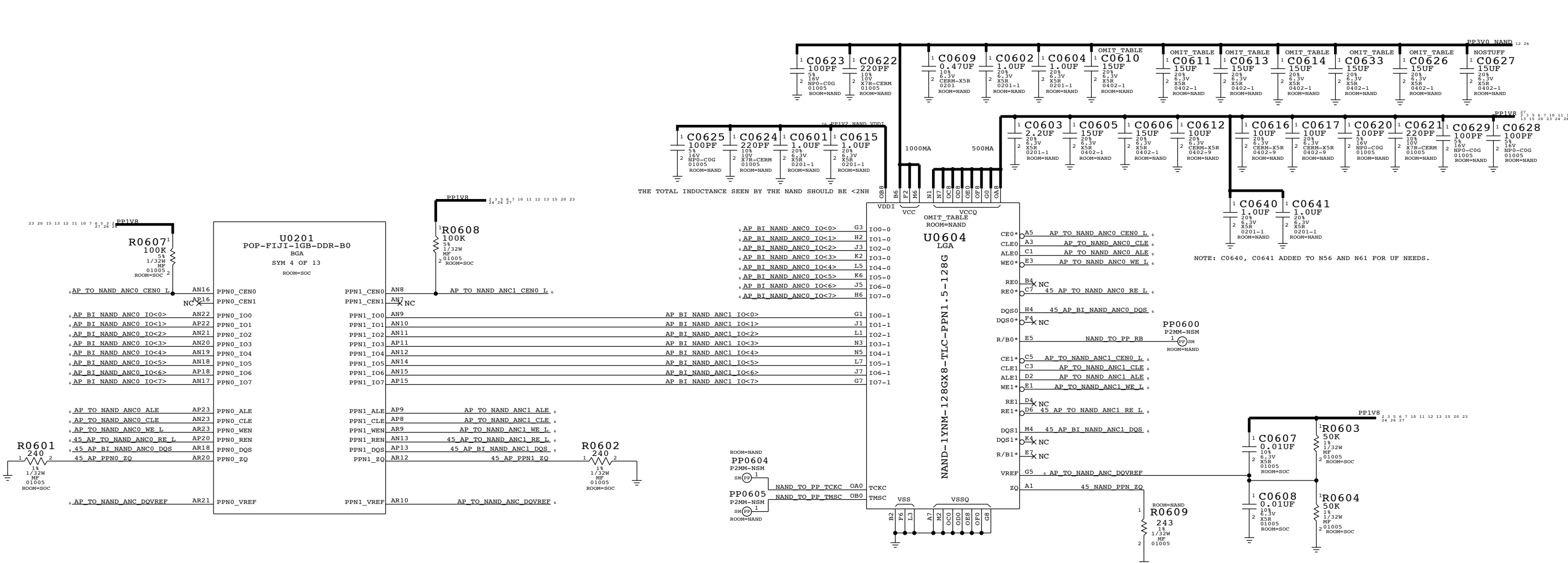
VDD_SRAM, VDD_SOC



SYNC MASTER=N61 MLB		SYNC DATE=10/08/2013	
SOC:GND,VDDIO18,VDDIOD,VDD_VAR_SOC			
Apple Inc.		DRAWING NUMBER	051-0517
NOTICE OF PROPRIETARY PROPERTY:		REVISION	6.0.0
THE INFORMATION CONTAINED HEREIN IS THE PROPRIETARY PROPERTY OF APPLE INC. THE POSSESSOR AGREES TO THE FOLLOWING:		PAGE	5 OF 55
I TO MAINTAIN THIS DOCUMENT IN CONFIDENCE		SHEET	5 OF 55
II NOT TO REPRODUCE OR COPY IT			
III NOT TO REVEAL OR PUBLISH IT IN WHOLE OR PART			
IV ALL RIGHTS RESERVED			

FIJI: NAND + 12X17 NAND PKG

SUPPORT FOR PPN1.5 (1.8V IO) ONLY



NOTE: NAND PADS SHOULD BE SHIELDED FROM TRACES WITH A GROUND PLANE

PP0601
P4MM-NSM
ROOM=SOC
SM 1
AP BI NAND ANCO IO<6> .

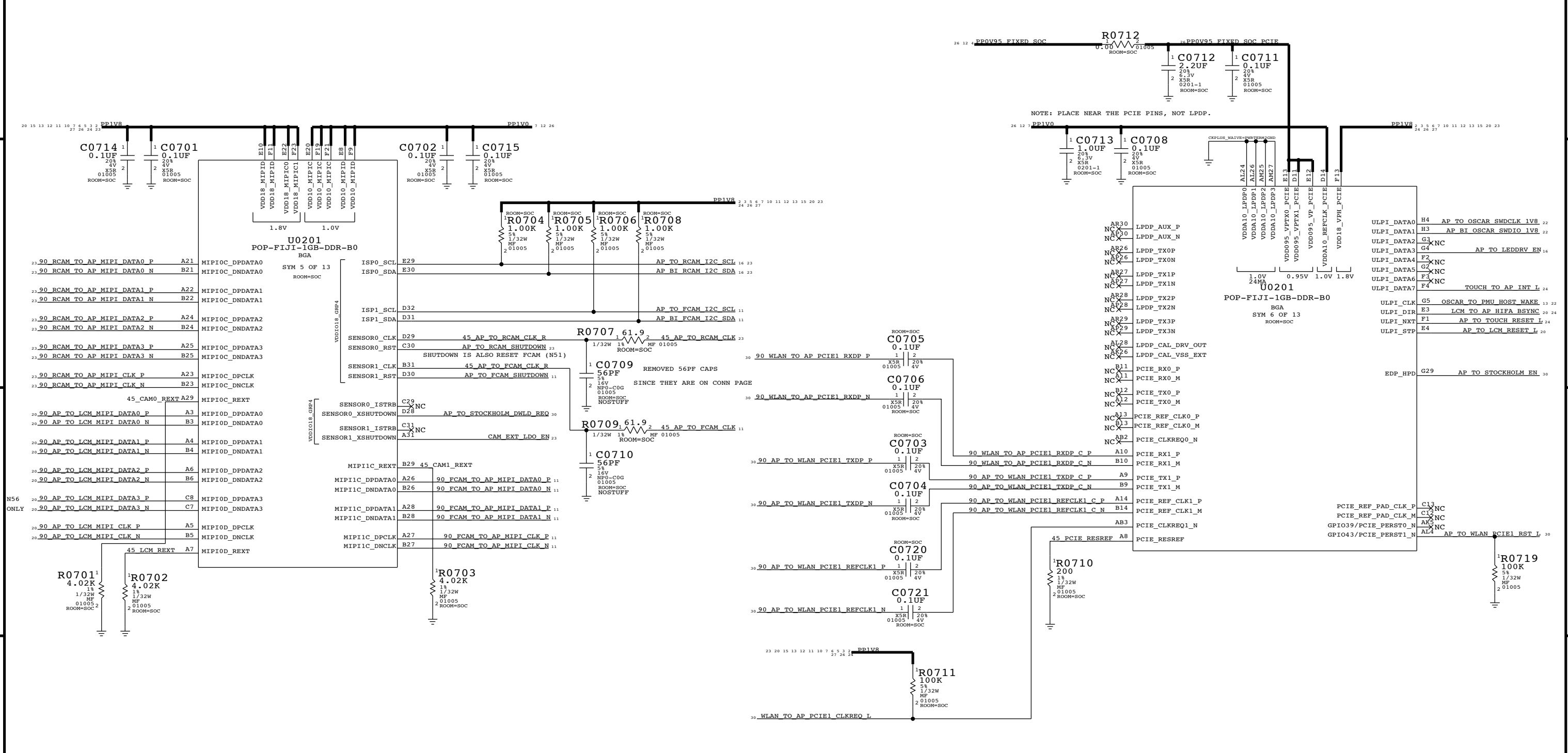
PP0602
P4MM-NSM
ROOM=SOC
SM 1
45 AP TO NAND ANCO RE L .

PP0603
P4MM-NSM
ROOM=SOC
SM 1
45 AP BI NAND ANCO DOS .

NOTE: IO<6> PREFERRED BY MATT BYOM (N51) (IS A STATUS READY BIT)

SYNC MASTER=N61 MLB		SYNC DATE=11/01/2013	
PAGE TITLE			
SOC: NAND			
		DRAWING NUMBER	051-0517
		REVISION	6.0.0
NOTICE OF PROPRIETARY PROPERTY: THE INFORMATION CONTAINED HEREIN IS THE PROPRIETARY PROPERTY OF APPLE INC. THE POSSESSOR AGREES TO THE FOLLOWING: I TO MAINTAIN THIS DOCUMENT IN CONFIDENCE II NOT TO REPRODUCE OR COPY IT III NOT TO REVEAL OR PUBLISH IT IN WHOLE OR PART IV ALL RIGHTS RESERVED		BRANCH	
		PAGE	6 OF 55
		SHEET	6 OF 55
		SIZE	D

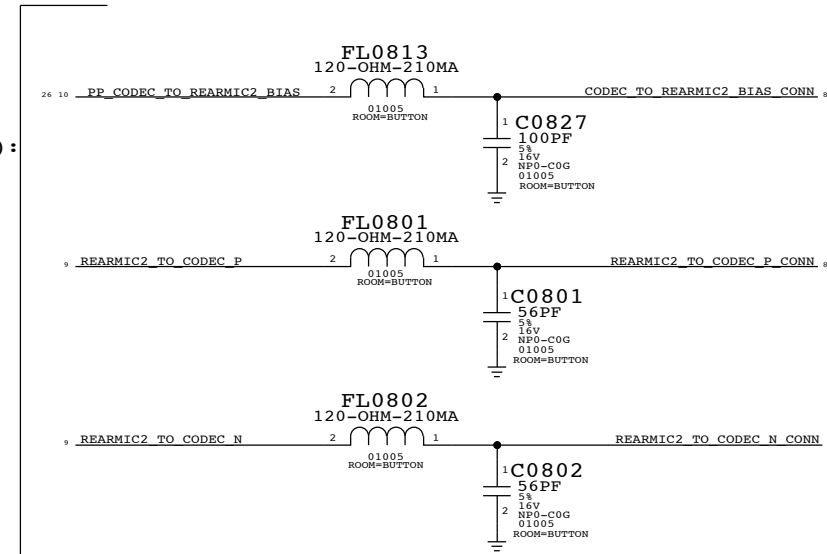
FIJI: HIGH SPEED DIG (CAM, LCD, LPDP, PCIE)



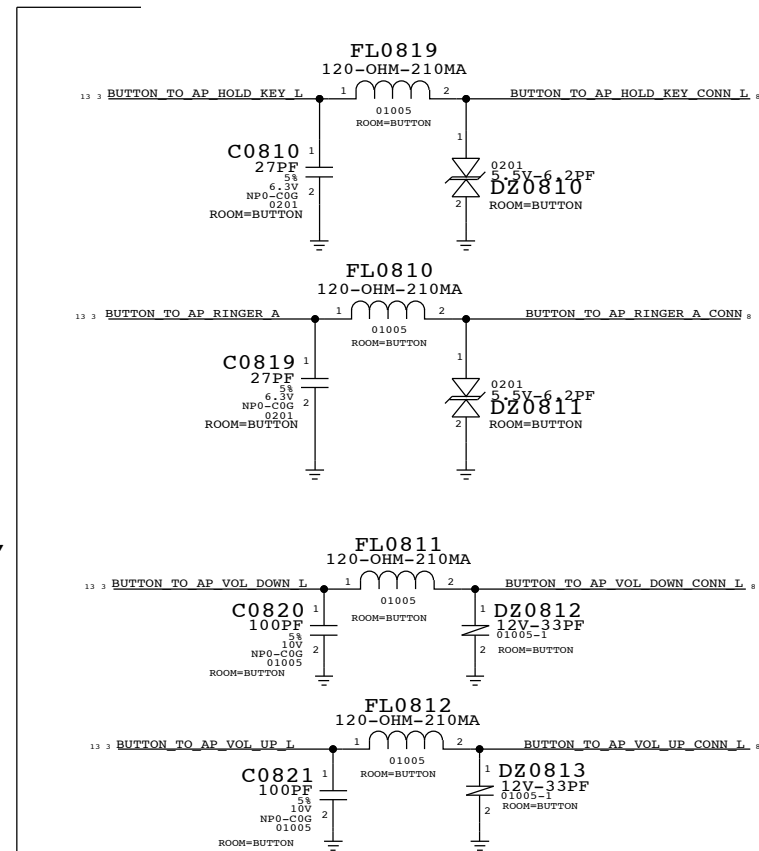
SYNC MASTER=N61 MLB		SYNC DATE=11/01/2013	
SOC:CAM, LCD, LPDP, PCIE			
Apple Inc.		DRAWING NUMBER	051-0517
		REVISION	6.0.0
NOTICE OF PROPRIETARY PROPERTY:		BRANCH	
THE INFORMATION CONTAINED HEREIN IS THE PROPRIETARY PROPERTY OF APPLE INC. THE POSSESSOR AGREES TO THE FOLLOWING:		PAGE	7 OF 55
I TO MAINTAIN THIS DOCUMENT IN CONFIDENCE		SHEET	7 OF 55
II NOT TO REPRODUCE OR COPY IT			
III NOT TO REVEAL OR PUBLISH IT IN WHOLE OR PART			
IV ALL RIGHTS RESERVED			

BUTTON FLEX (BUTTONS, ANC REF MIC, STROBE, STROBE_NTC, WIFI FLEX PAC)

MIC2 (ANC REF MIC):
MIC2/4 BIAS,
MIC2_P,_N

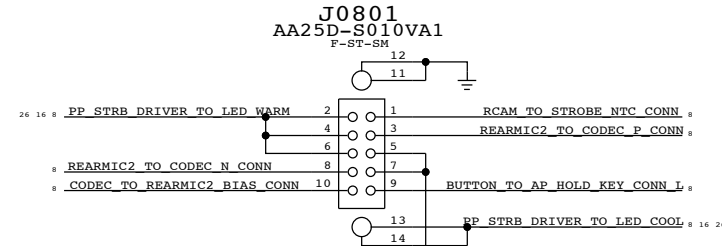


BUTTONS:
RINGER, HOLD,
VOL_UP/DOWN,



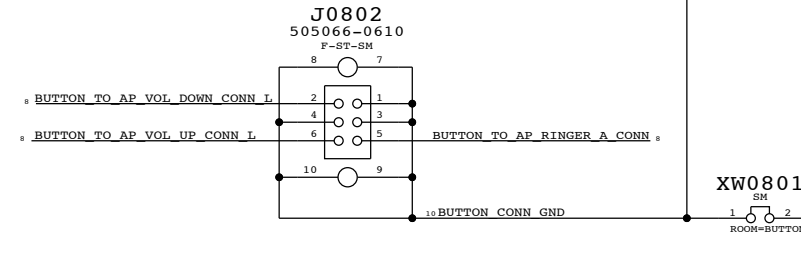
RIGHT BUTTON FLEX B2B

APN: 516S1187 (RCPT)

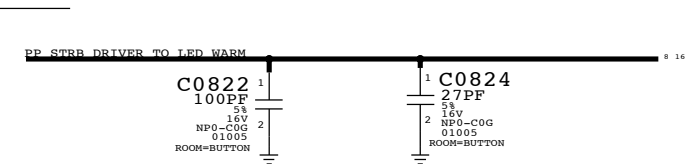


LEFT BUTTON FLEX B2B

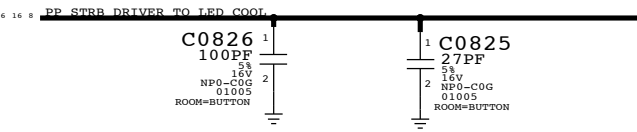
APN: 516S1317 (RCPT)



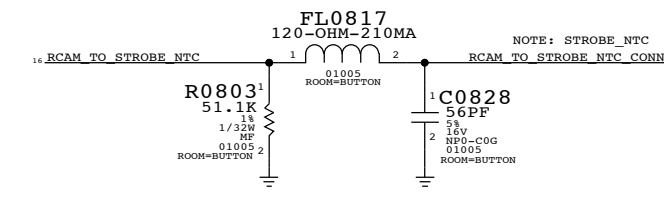
STROBE:
LED WARM



STROBE:
LED COOL



STROBE:
NTC

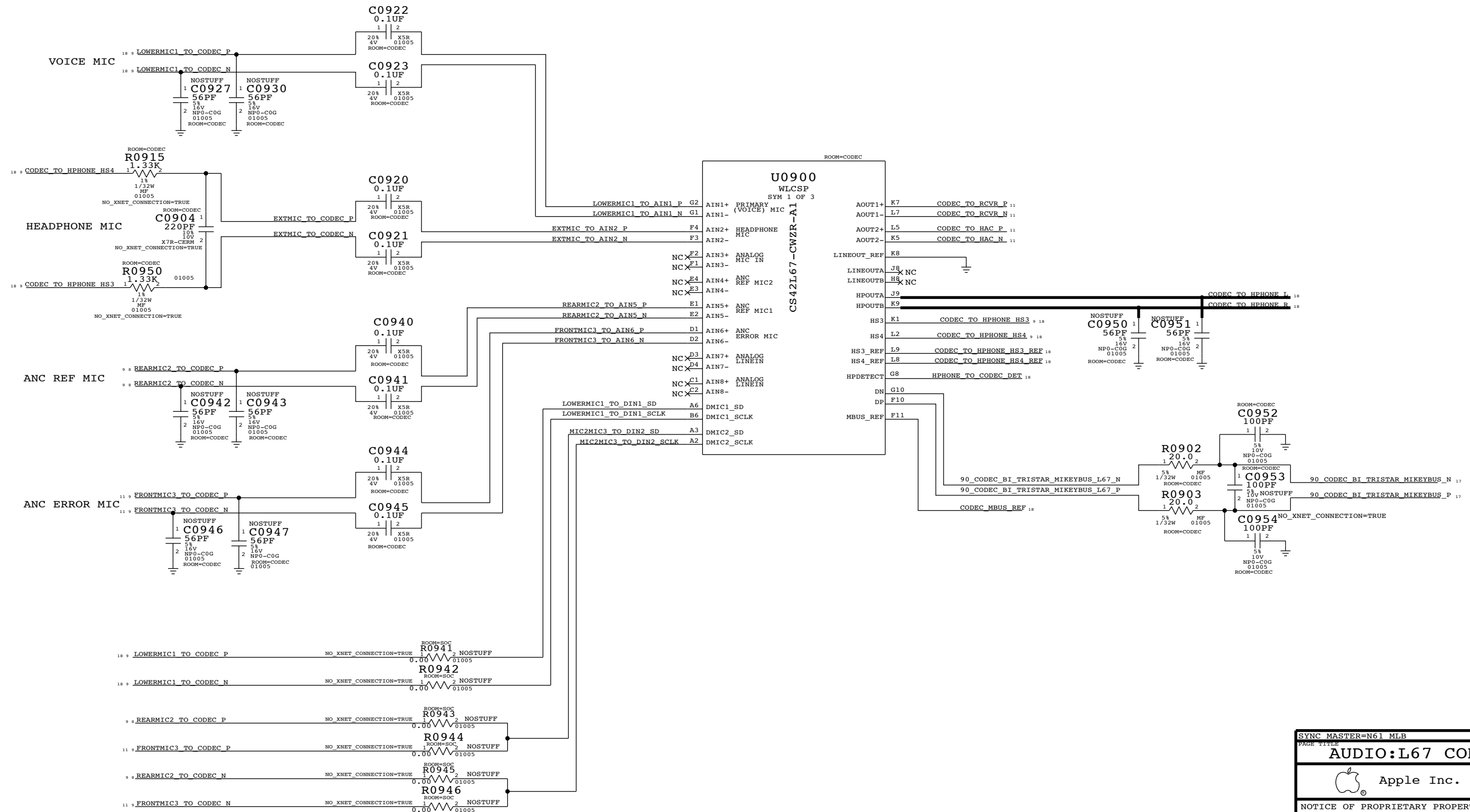


SYNC MASTER=N61 MLB		SYNC DATE=11/01/2013	
IO:BUTTON FLEX CONN			
Apple Inc.		DRAWING NUMBER	051-0517
		REVISION	6.0.0
NOTICE OF PROPRIETARY PROPERTY:		BRANCH	
THE INFORMATION CONTAINED HEREIN IS THE PROPRIETARY PROPERTY OF APPLE INC. THE POSSESSOR AGREES TO THE FOLLOWING:		PAGE	8 OF 55
I TO MAINTAIN THIS DOCUMENT IN CONFIDENCE		SHEET	8 OF 55
II NOT TO REPRODUCE OR COPY IT			
III NOT TO REVEAL OR PUBLISH IT IN WHOLE OR PART			
IV ALL RIGHTS RESERVED			

L67 AUDIO CODEC

AUDIO I/O

(ANALOG MIC IN, DIG MIC IN, HPOUT, LINEOUT, RECEIVER OUT, MIKEYBUS)



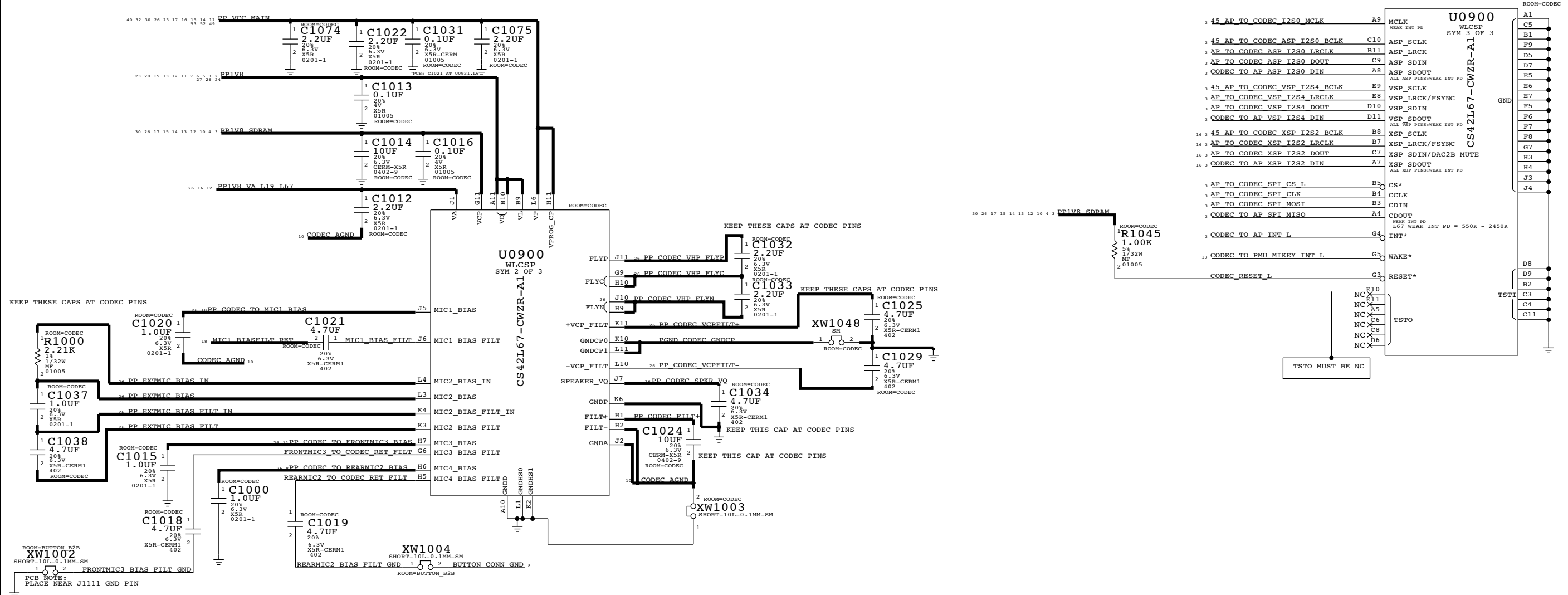
SYNC MASTER=N61 MLB		SYNC DATE=11/01/2013	
PAGE TITLE			
AUDIO:L67 CODEC (1/2)			
Apple Inc.		DRAWING NUMBER	051-0517
		REVISION	6.0.0
NOTICE OF PROPRIETARY PROPERTY:		BRANCH	
THE INFORMATION CONTAINED HEREIN IS THE PROPRIETARY PROPERTY OF APPLE INC. THE POSSESSOR AGREES TO THE FOLLOWING:		PAGE	9 OF 55
I TO MAINTAIN THIS DOCUMENT IN CONFIDENCE		SHEET	9 OF 55
II NOT TO REPRODUCE OR COPY IT			
III NOT TO REVEAL OR PUBLISH IT IN WHOLE OR PART			
IV ALL RIGHTS RESERVED			

L67 AUDIO CODEC

POWER, MICBIAS

DIGITAL SYSTEM I/O

NOTE: C1022 WAS REDUCED TO 2.2UF BECAUSE OF ADDITIONAL NEARBY VCC MAIN CAPS



SYNC MASTER=N61 MLB		SYNC DATE=11/01/2013	
PAGE TITLE			
AUDIO:L67 CODEC (2/2)			
Apple Inc.		DRAWING NUMBER	051-0517
		REVISION	6.0.0
NOTICE OF PROPRIETARY PROPERTY:		BRANCH	
THE INFORMATION CONTAINED HEREIN IS THE PROPRIETARY PROPERTY OF APPLE INC. THE POSSESSOR AGREES TO THE FOLLOWING:		PAGE	10 OF 55
I TO MAINTAIN THIS DOCUMENT IN CONFIDENCE		SHEET	10 OF 55
II NOT TO REPRODUCE OR COPY IT			
III NOT TO REVEAL OR PUBLISH IT IN WHOLE OR PART			
IV ALL RIGHTS RESERVED			

FRONT CAM FLEX B2B

(FCAM, PROX, ALS, RECEIVER, ANC ERROR MIC)

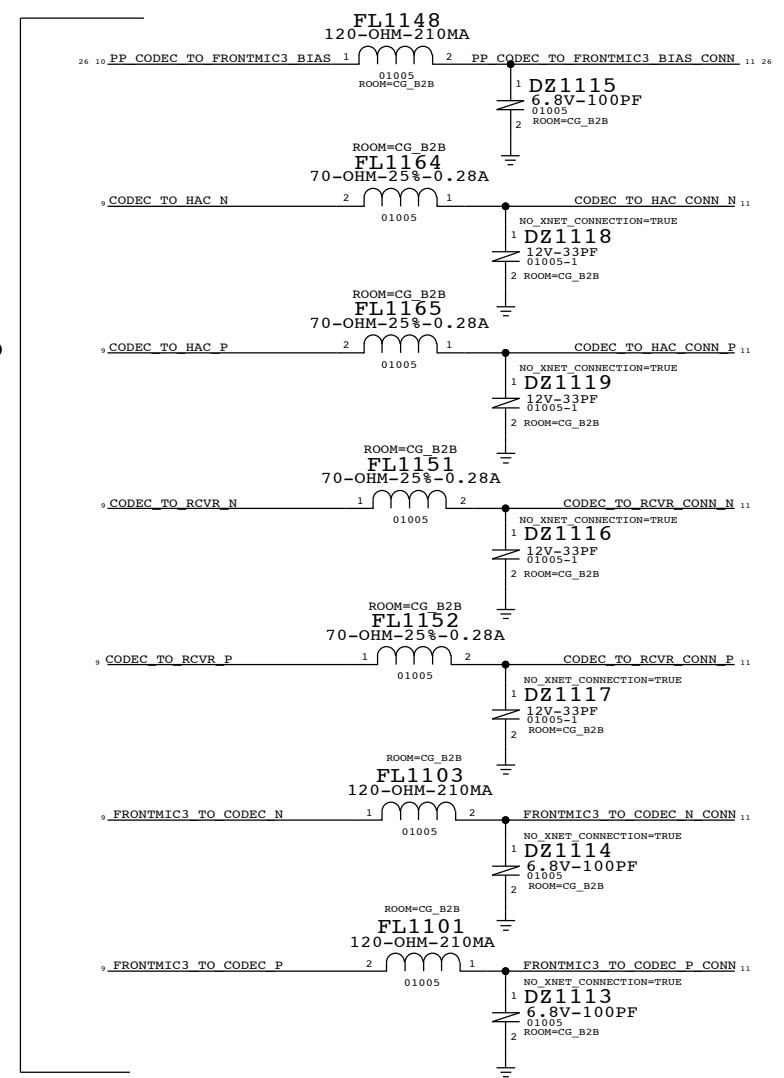
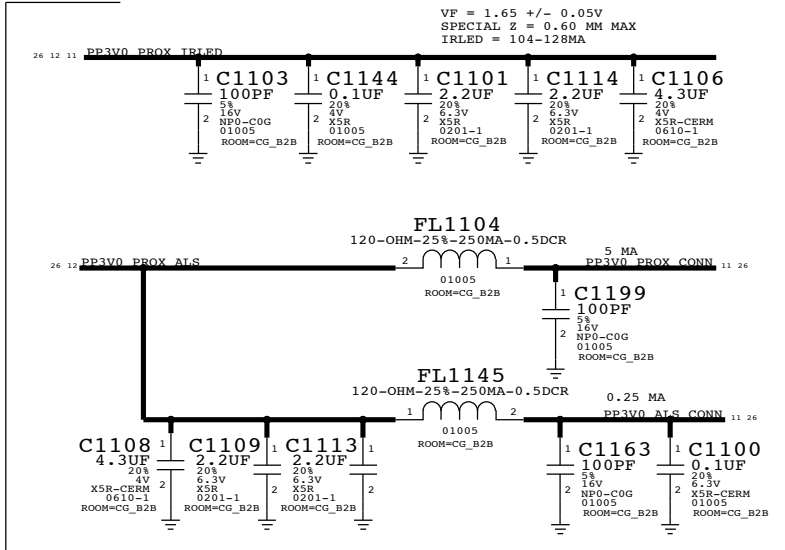
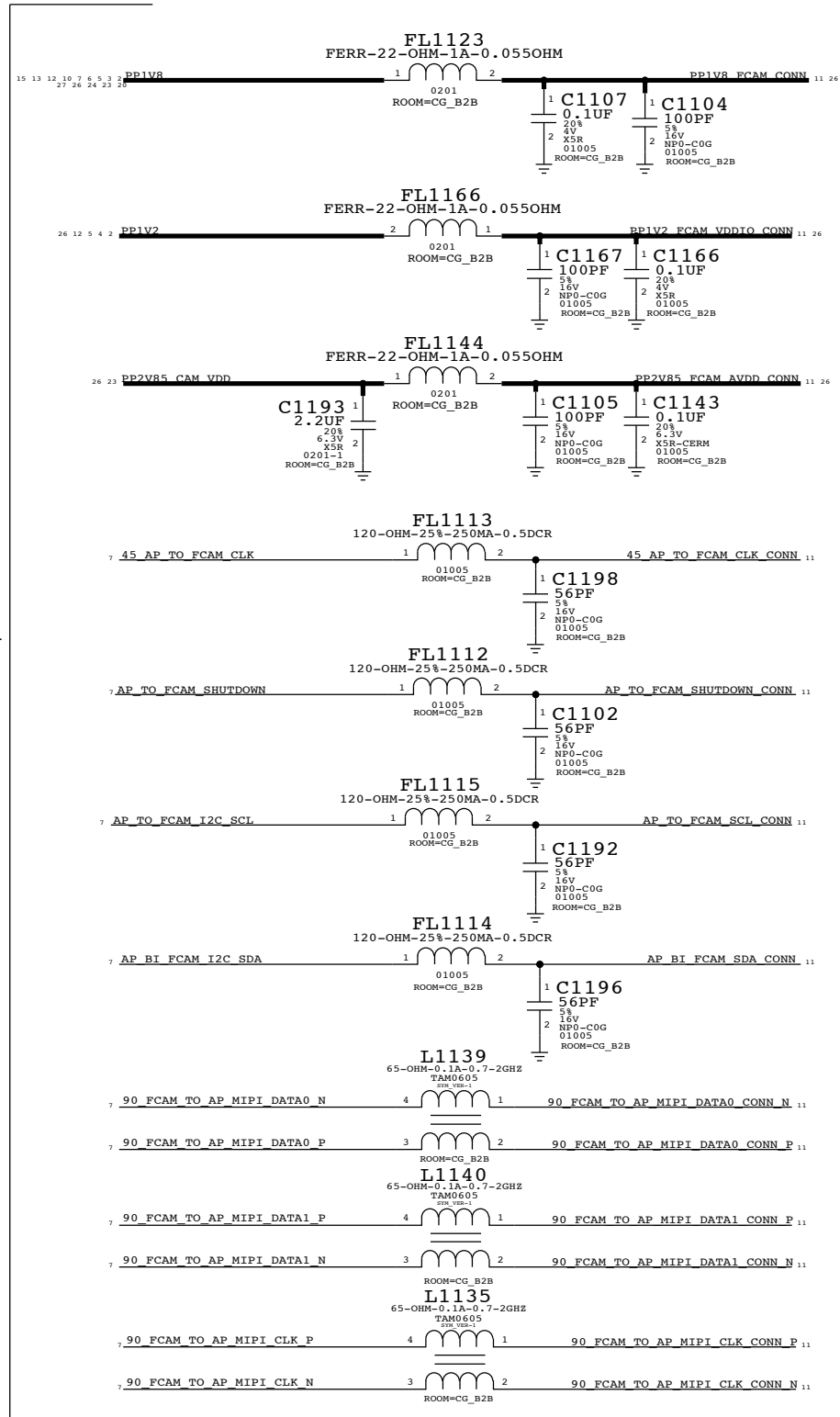
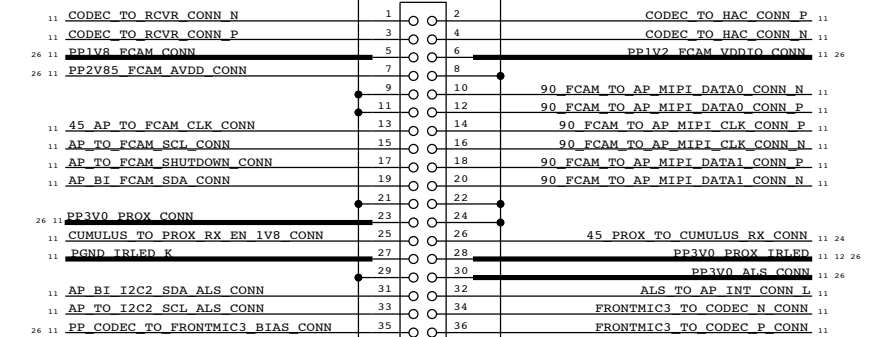
MLB: 516S1081 (RCPT)

J1111

AA22L

F-ST-SM

41 ROOM=CG_B2B



CAMERA

ALS,
PROX

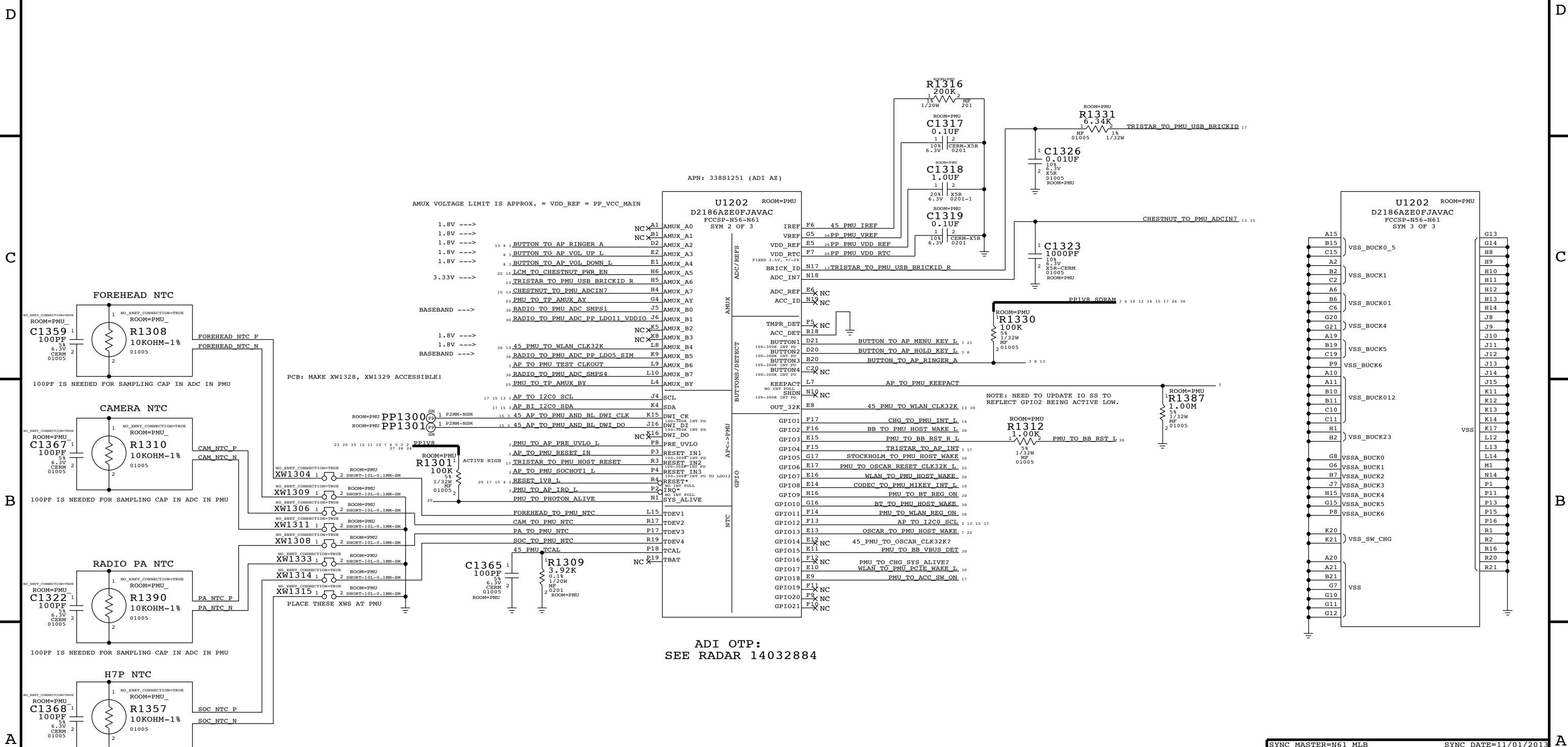
AUDIO

SYNC MASTER=N61 MLB SYNC DATE=11/01/2013

CAMERA: FRONT FLEX CONN	
Apple Inc.	DRAWING NUMBER: 051-0517
	REVISION: 6.0.0
NOTICE OF PROPRIETARY PROPERTY:	PAGE: 11 OF 55
THE INFORMATION CONTAINED HEREIN IS THE PROPRIETARY PROPERTY OF APPLE INC. THE POSSESSOR AGREES TO THE FOLLOWING:	SHEET: 11 OF 55
I TO MAINTAIN THIS DOCUMENT IN CONFIDENCE	
II NOT TO REPRODUCE OR COPY IT	
III NOT TO REVEAL OR PUBLISH IT IN WHOLE OR PART	
IV ALL RIGHTS RESERVED	

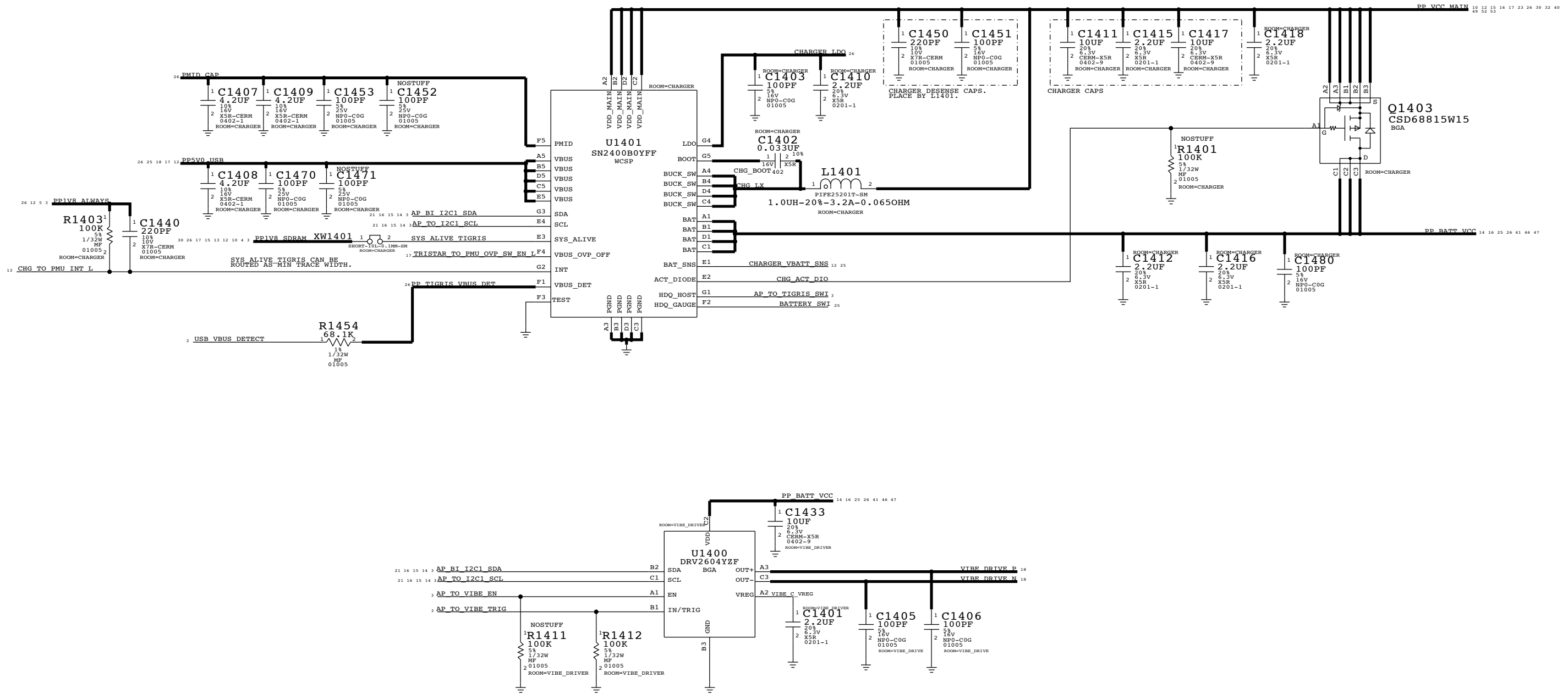
ADI PMU

(AMUX, GPIO, BUTTONS, ADC, THERMISTORS, SYSTEM I/F, GND)



SYNC MASTER=N61 MLB		SYNC DATE=11/01/2013	
PAGE TITLE			
POWER:ADI (2/2)			
Apple Inc.	DRAWING NUMBER	051-0517	SIZE D
	REVISION	6.0.0	
NOTICE OF PROPRIETARY PROPERTY:		BRANCH	
THE INFORMATION CONTAINED HEREIN IS THE PROPRIETARY PROPERTY OF APPLE INC. THE POSSESSOR AGREES TO THE FOLLOWING:		PAGE	13 OF 55
I TO MAINTAIN THIS DOCUMENT IN CONFIDENCE		SHEET	13 OF 55
II NOT TO REPRODUCE OR COPY IT			
III NOT TO REVEAL OR PUBLISH IT IN WHOLE OR PART			
IV ALL RIGHTS RESERVED			

TIGRIS CHARGER & VIBE DRIVER



DRAWING NUMBER			051-0517		
REVISION			6.0.0		
PAGE			14 OF 55		
SHEET			14 OF 55		

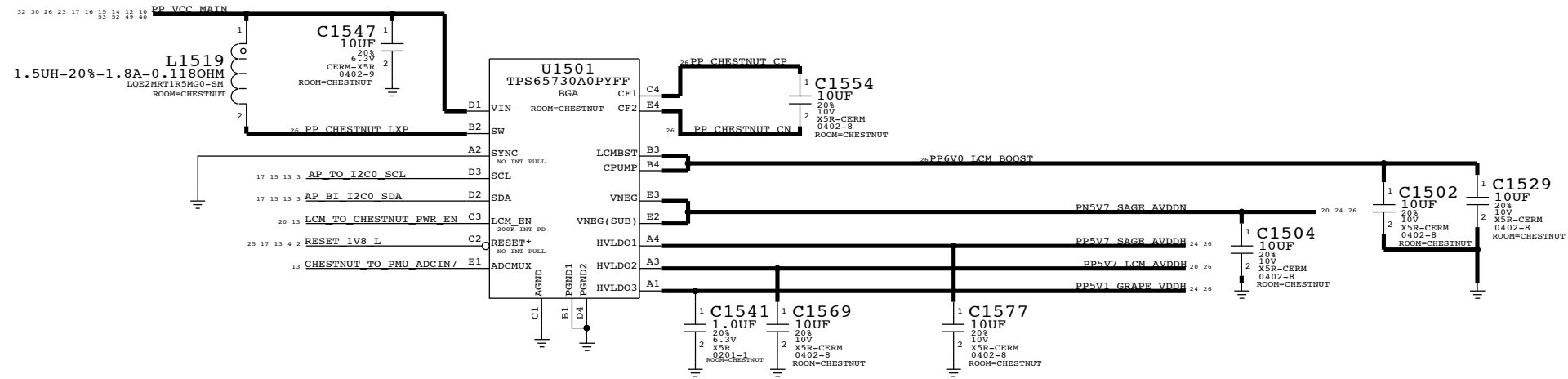
POWER:TIGRISR,VIBE DRIVER

Apple Inc.

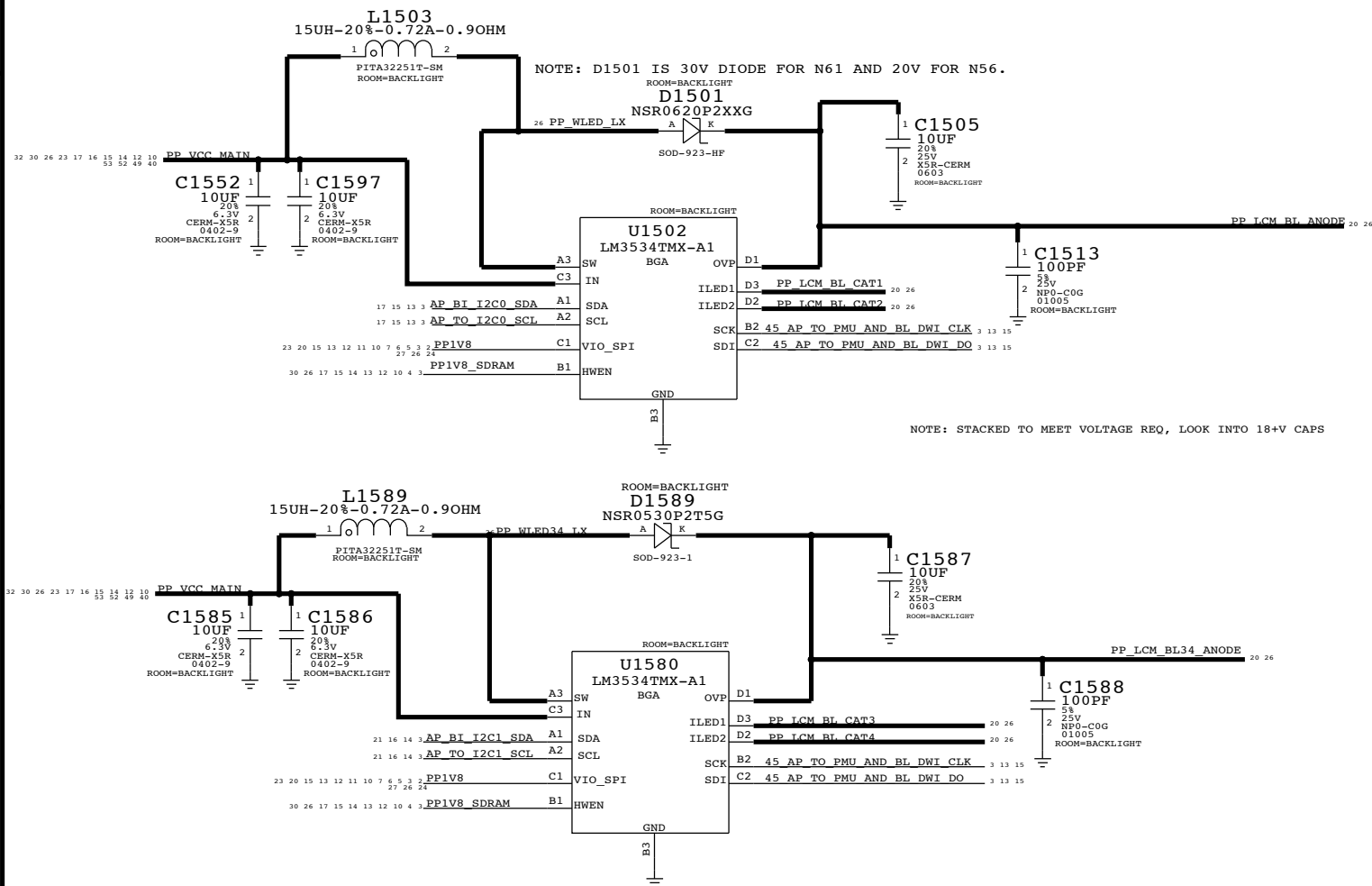
NOTICE OF PROPRIETARY PROPERTY:
 THE INFORMATION CONTAINED HEREIN IS THE PROPRIETARY PROPERTY OF APPLE, INC. THE POSSESSOR AGREES TO THE FOLLOWING:
 I TO MAINTAIN THIS DOCUMENT IN CONFIDENCE
 II NOT TO REPRODUCE OR COPY IT
 III NOT TO REVEAL OR PUBLISH IT IN WHOLE OR PART
 IV ALL RIGHTS RESERVED

CHESTNUT, BACKLIGHT DRIVER, MESA BOOST

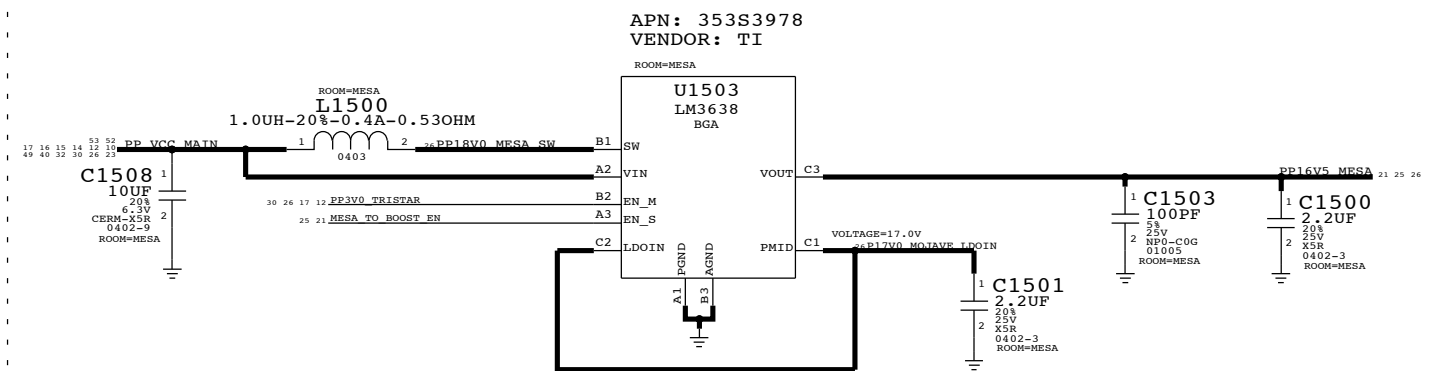
DISPLAY PMU (TI CHESTNUT, 338S1149)



BACKLIGHT DRIVERS



MESA BOOST

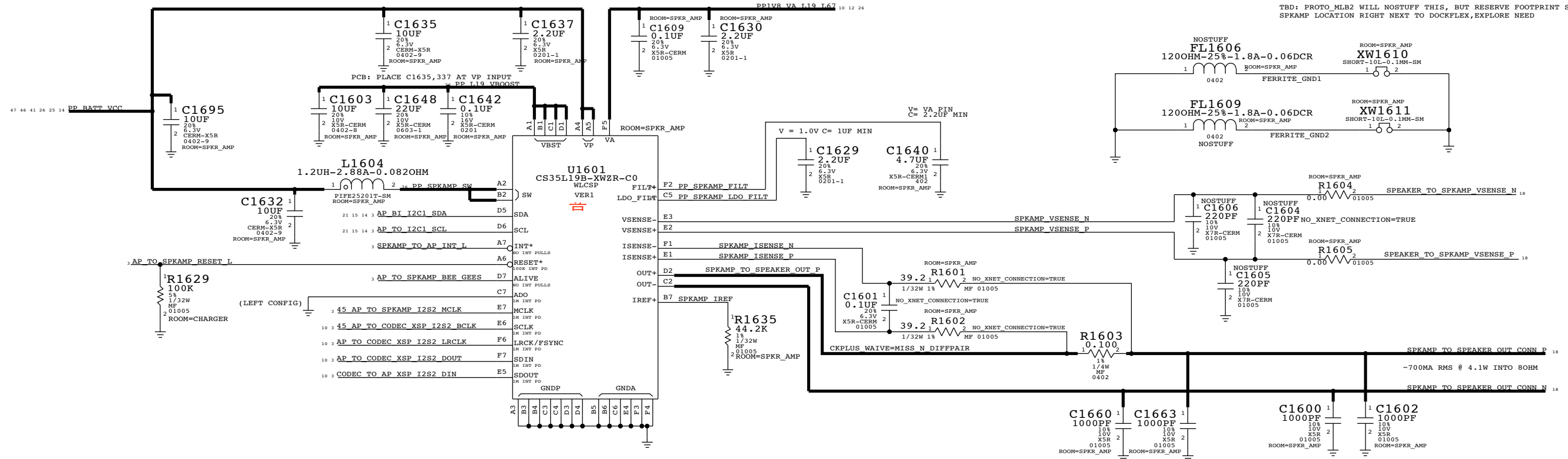


PAGE TITLE		SYNC DATE=11/01/2013	
DISPLAY:CHESTNUT, BACKLIGHT DRIVER			
Apple Inc.		DRAWING NUMBER	051-0517
		REVISION	6.0.0
NOTICE OF PROPRIETARY PROPERTY:		BRANCH	
THE INFORMATION CONTAINED HEREIN IS THE PROPRIETARY PROPERTY OF APPLE INC. THE POSSESSOR AGREES TO THE FOLLOWING:		PAGE	15 OF 55
I TO MAINTAIN THIS DOCUMENT IN CONFIDENCE		SHEET	15 OF 55
II NOT TO REPRODUCE OR COPY IT			
III NOT TO REVEAL OR PUBLISH IT IN WHOLE OR PART			
IV ALL RIGHTS RESERVED			

SPEAKER AMP, LED DRIVER

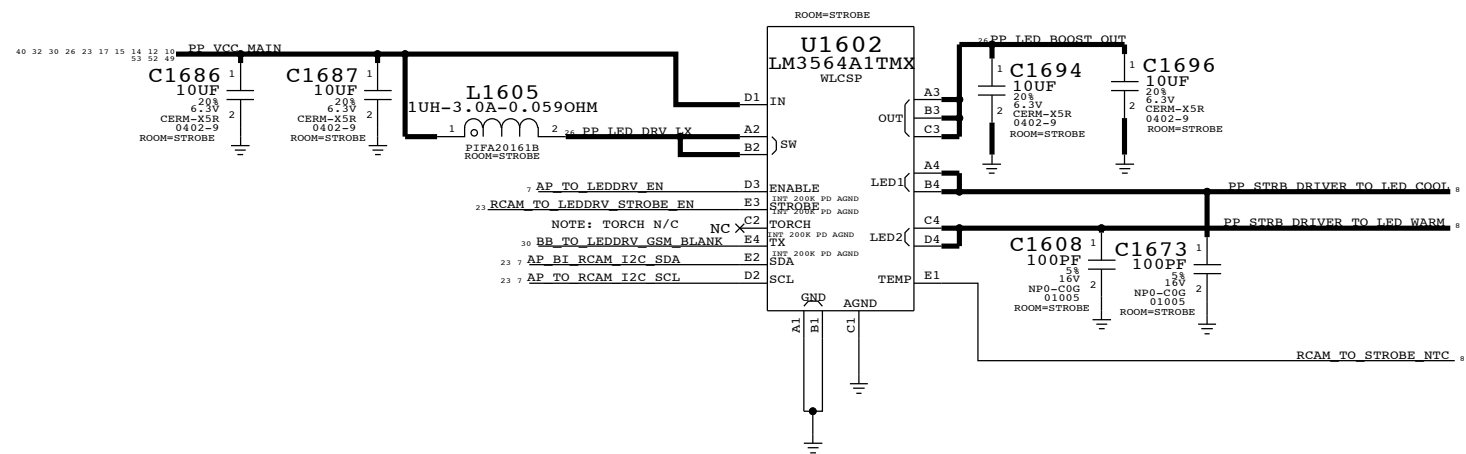
SPEAKER AMP

I2C ADDRESS: 1000000X



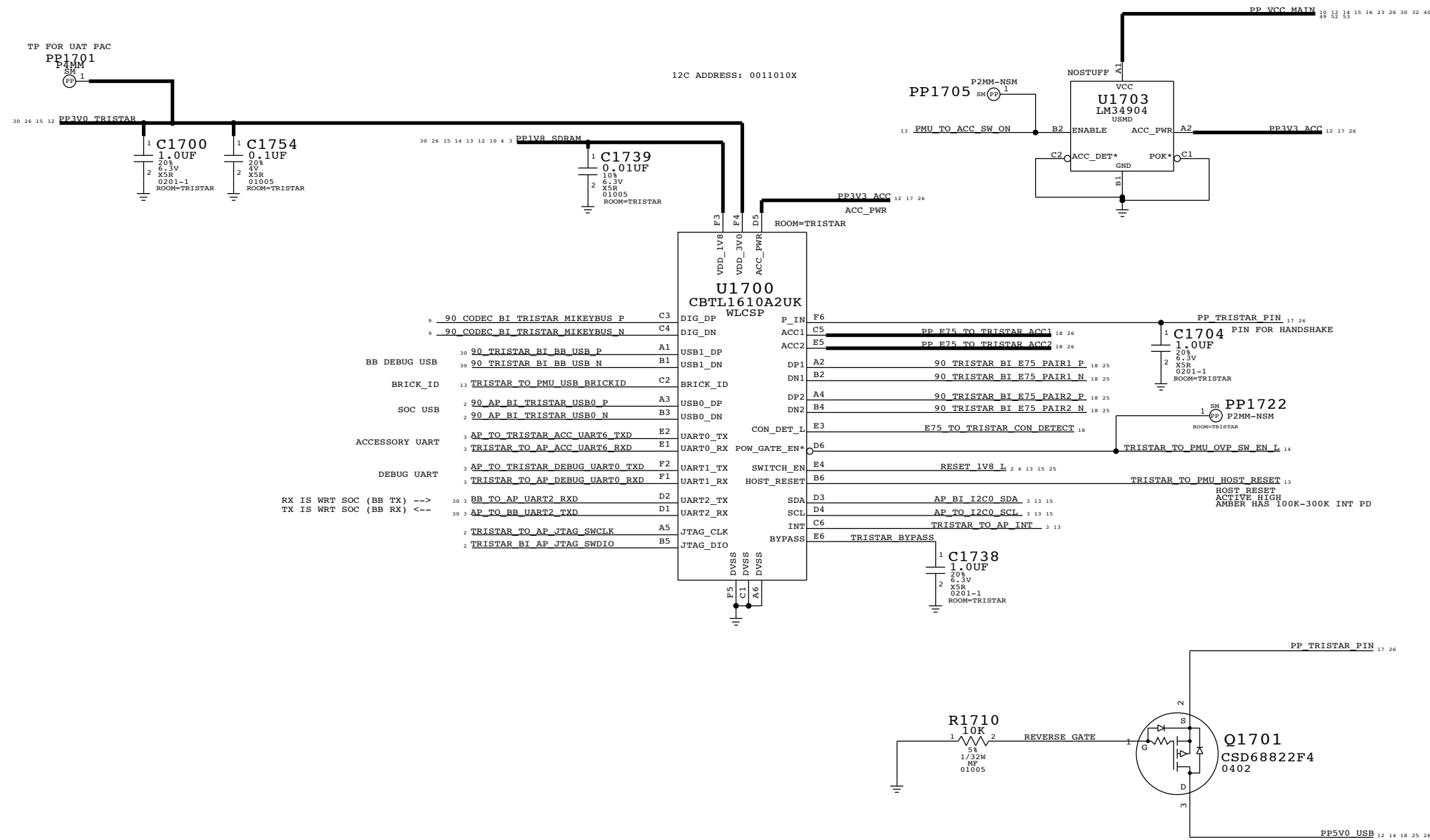
STROBE DRIVER

TI: APN 353S3899



SYNC MASTER=N61 MLB		SYNC DATE=11/01/2013	
PAGE TITLE			
AUDIO:SPKR AMP,STROBE			
Apple Inc.		DRAWING NUMBER	051-0517
		REVISION	6.0.0
NOTICE OF PROPRIETARY PROPERTY:		BRANCH	
THE INFORMATION CONTAINED HEREIN IS THE PROPRIETARY PROPERTY OF APPLE INC. THE POSSESSOR AGREES TO THE FOLLOWING:		PAGE	16 OF 55
I TO MAINTAIN THIS DOCUMENT IN CONFIDENCE		SHEET	16 OF 55
II NOT TO REPRODUCE OR COPY IT			
III NOT TO REVEAL OR PUBLISH IT IN WHOLE OR PART			
IV ALL RIGHTS RESERVED			

TRISTAR2



SYNC MASTER=N61 MLB		SYNC DATE=11/01/2013	
IO:TRISTAR2			
Apple Inc.		DRAWING NUMBER	051-0517
		REVISION	6.0.0
NOTICE OF PROPRIETARY PROPERTY: THE INFORMATION CONTAINED HEREIN IS THE PROPRIETARY PROPERTY OF APPLE INC. THE POSSESSOR AGREES TO THE FOLLOWING: I TO MAINTAIN THIS DOCUMENT IN CONFIDENCE II NOT TO REPRODUCE OR COPY IT III NOT TO REVEAL OR PUBLISH IT IN WHOLE OR PART IV ALL RIGHTS RESERVED		BRANCH	
		PAGE	17 OF 55
		SHEET	17 OF 55

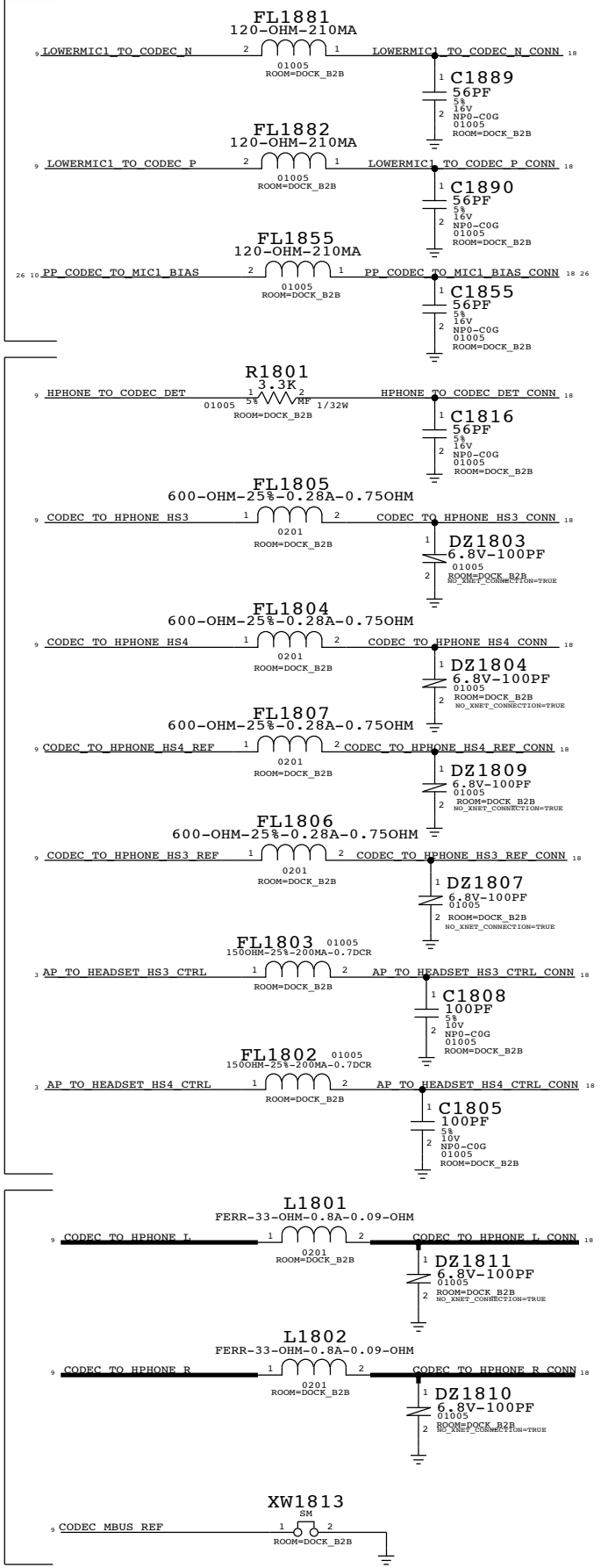
DOCKFLEX B2B (USB VBUS, SPEAKER, ANTENNA LAT SW CTRL, MIC1 (PRIMARY MIC), ACC DET/ID/PWR, E75 DIFFPAIRS)

D
LOWER MIC1
(PRIMARY
VOICE MIC)

C
HEADPHONE

B
CODEC TO
HEADPHONE

A

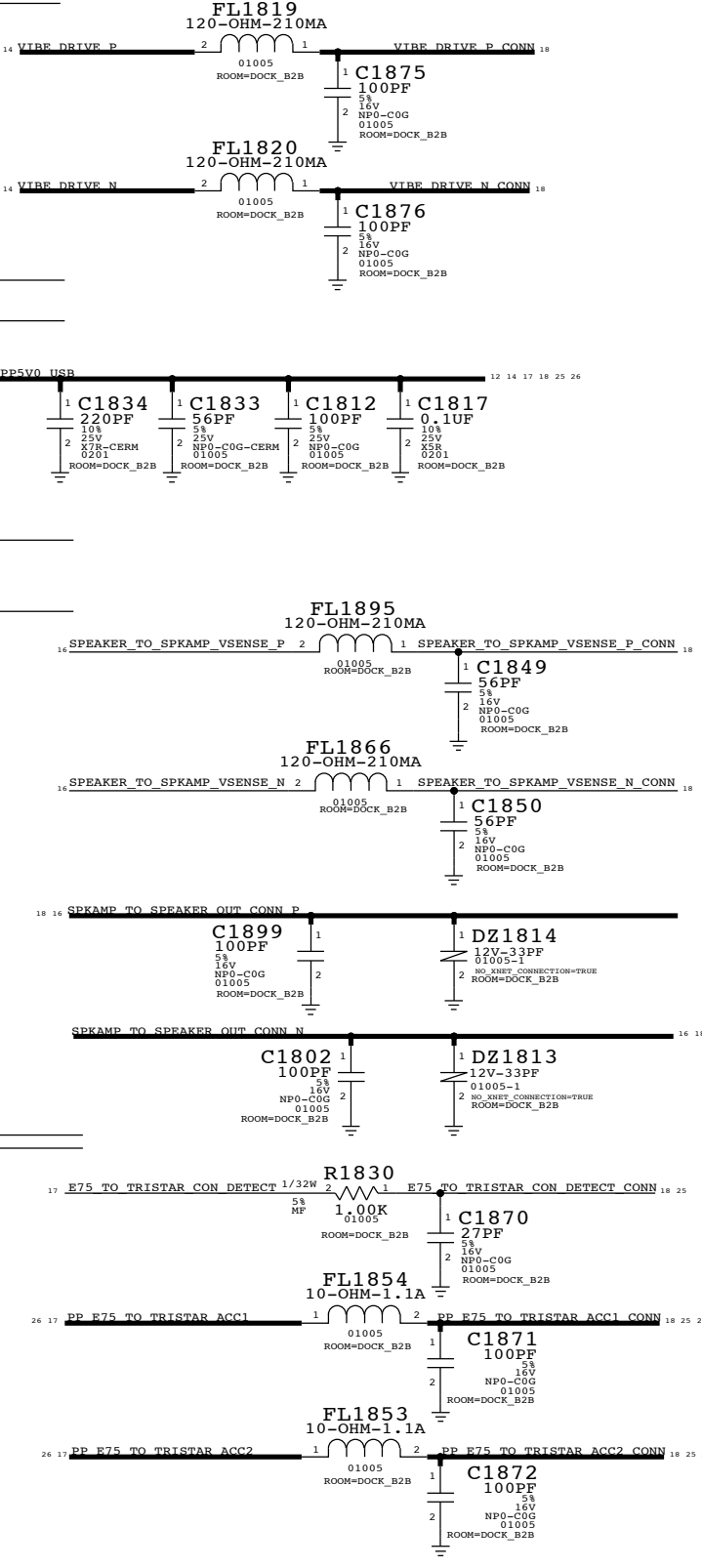


ACCESSORY:
VIBE
DRIVE

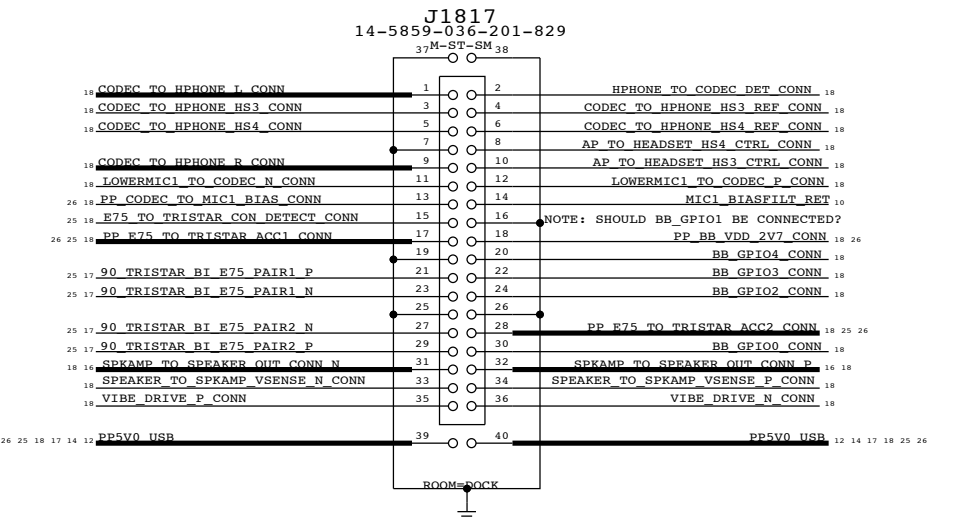
USB
VBUS

SPEAKER:
LEADS,
VSENSE

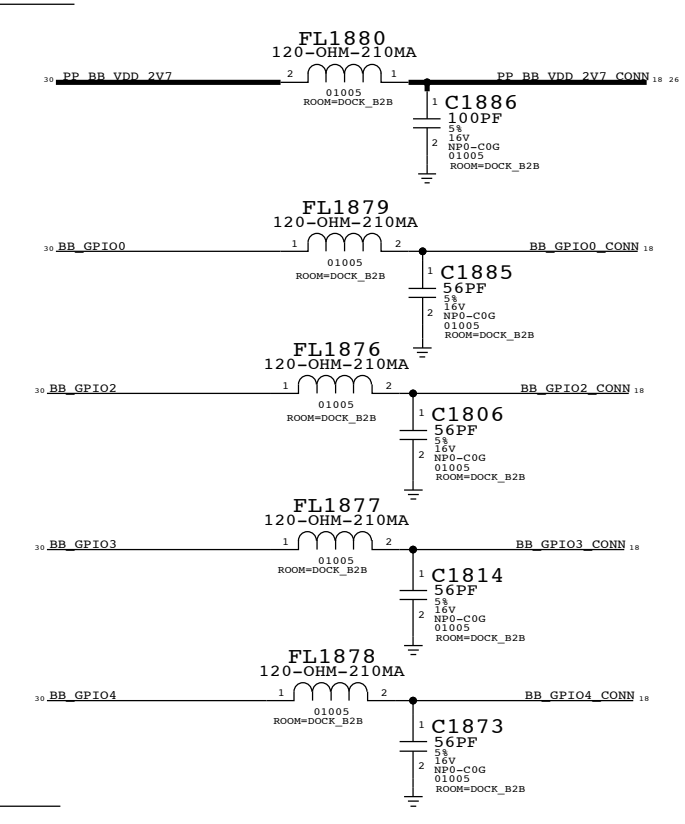
TRISTAR



MLB: 516S1282 (PLUG)



ANTENNA



SYNC MASTER=N61 MLB		SYNC DATE=10/08/2013	
IO:DOCK FLEX CONN			
		DRAWING NUMBER	051-0517
		REVISION	6.0.0
NOTICE OF PROPRIETARY PROPERTY: THE INFORMATION CONTAINED HEREIN IS THE PROPRIETARY PROPERTY OF APPLE INC. THE POSSESSOR AGREES TO THE FOLLOWING: I TO MAINTAIN THIS DOCUMENT IN CONFIDENCE II NOT TO REPRODUCE OR COPY IT III NOT TO REVEAL OR PUBLISH IT IN WHOLE OR PART IV ALL RIGHTS RESERVED		BRANCH	
		PAGE	18 OF 55
		SHEET	18 OF 55
		SIZE	D

8

7

6

5

4

3

2

1

D

D

C

C

B

B

A

A

8

7

6


5

4

3

2

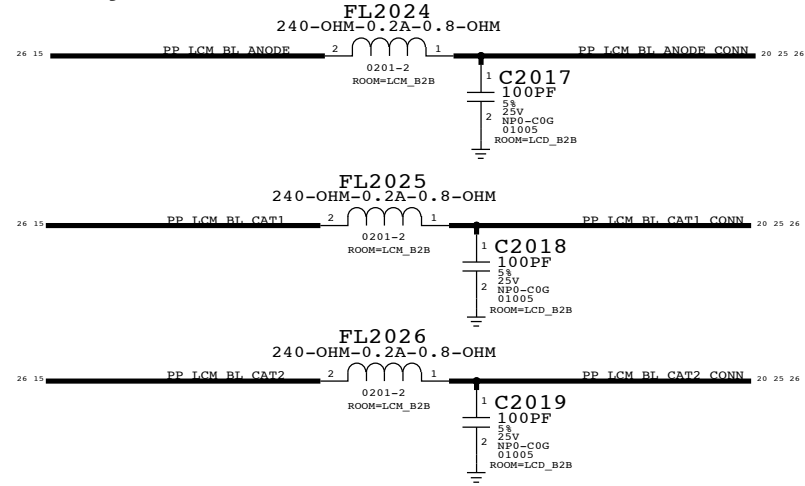
1

SYNC MASTER=N/A		SYNC DATE=N/A	
BLANK			
 Apple Inc.		DRAWING NUMBER	051-0517
		REVISION	6.0.0
NOTICE OF PROPRIETARY PROPERTY: THE INFORMATION CONTAINED HEREIN IS THE PROPRIETARY PROPERTY OF APPLE INC. THE POSSESSOR AGREES TO THE FOLLOWING: I TO MAINTAIN THIS DOCUMENT IN CONFIDENCE II NOT TO REPRODUCE OR COPY IT III NOT TO REVEAL OR PUBLISH IT IN WHOLE OR PART IV ALL RIGHTS RESERVED		BRANCH	
		PAGE	19 OF 55
		SHEET	19 OF 55

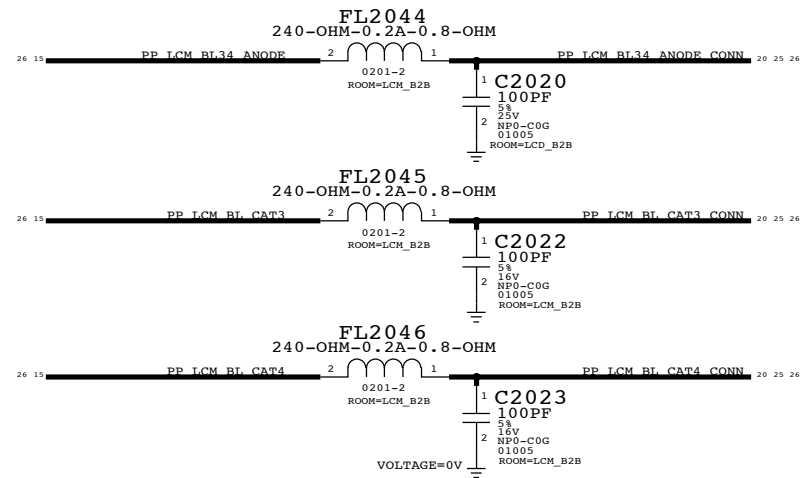
LCD B2B

MLB: 516S1185 (RCPT)
 (516S1184 ON FLEX)
J2019
 20-5857-036-001-829
 F-ST-SM

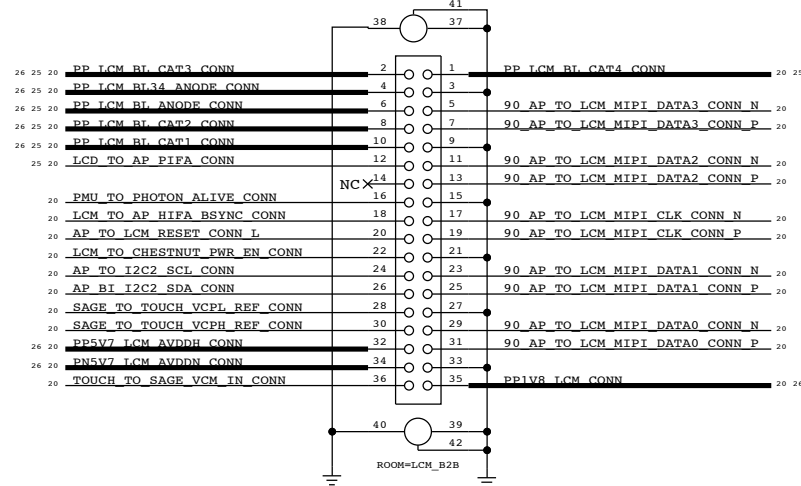
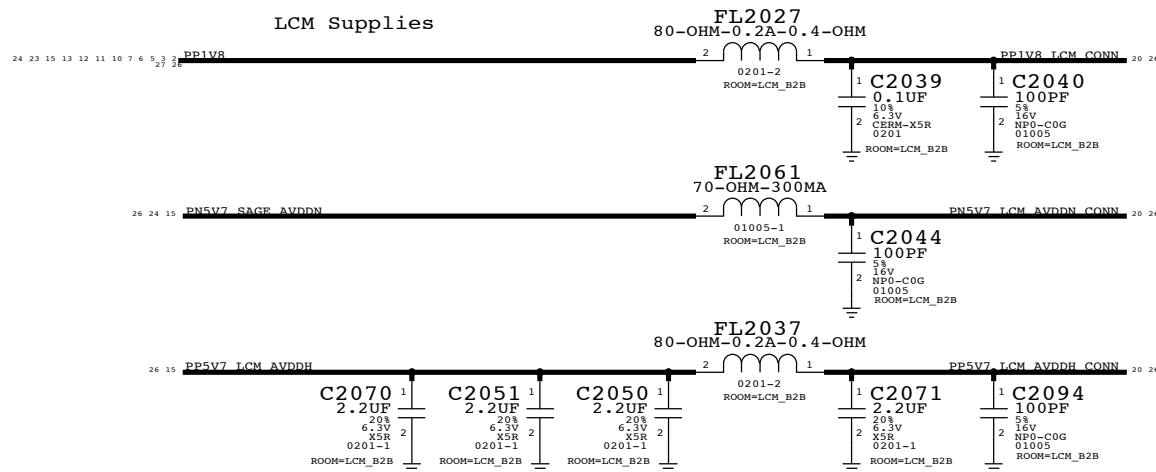
Backlight



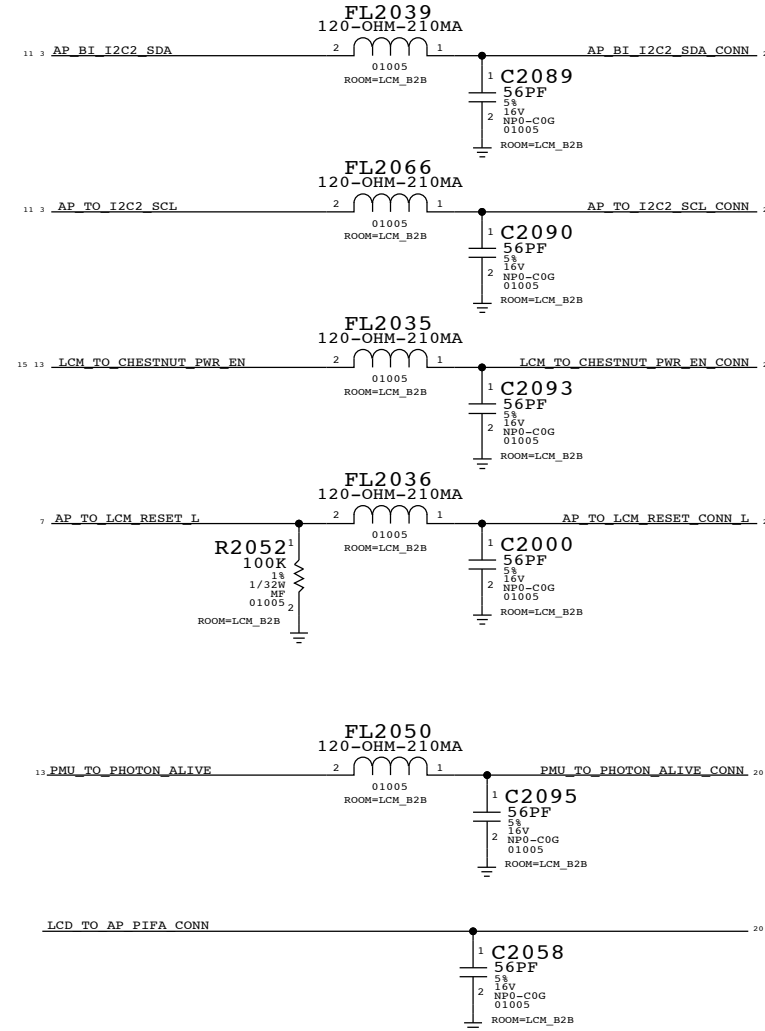
BACKLIGHT 2 (N56 ONLY)



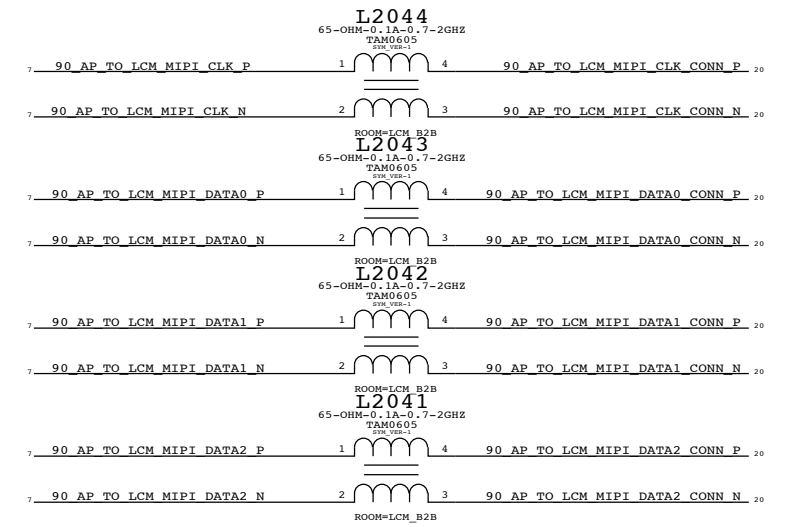
LCM Supplies



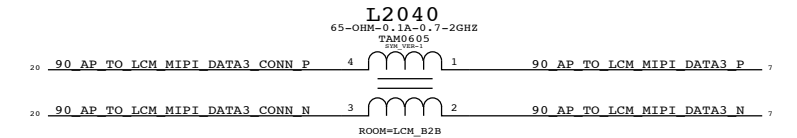
Digital Interfaces



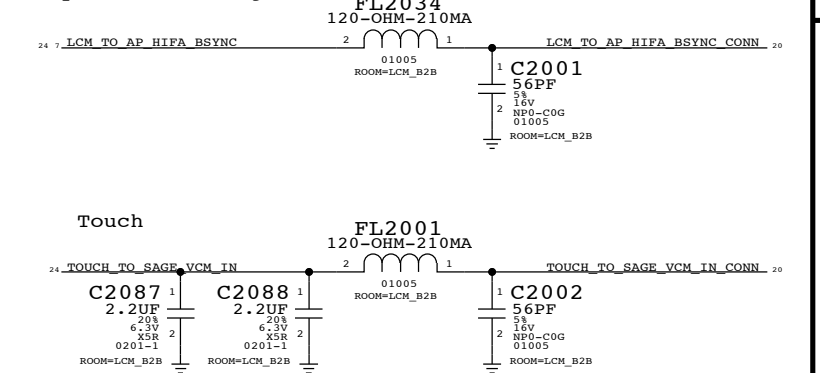
MIPI Common Mode Chokes



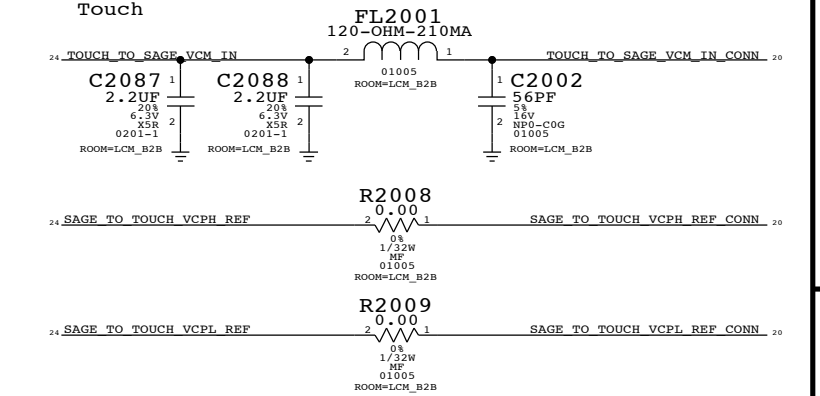
MIPI LANE 3 (N56 ONLY)



Sync/Reset/Debug



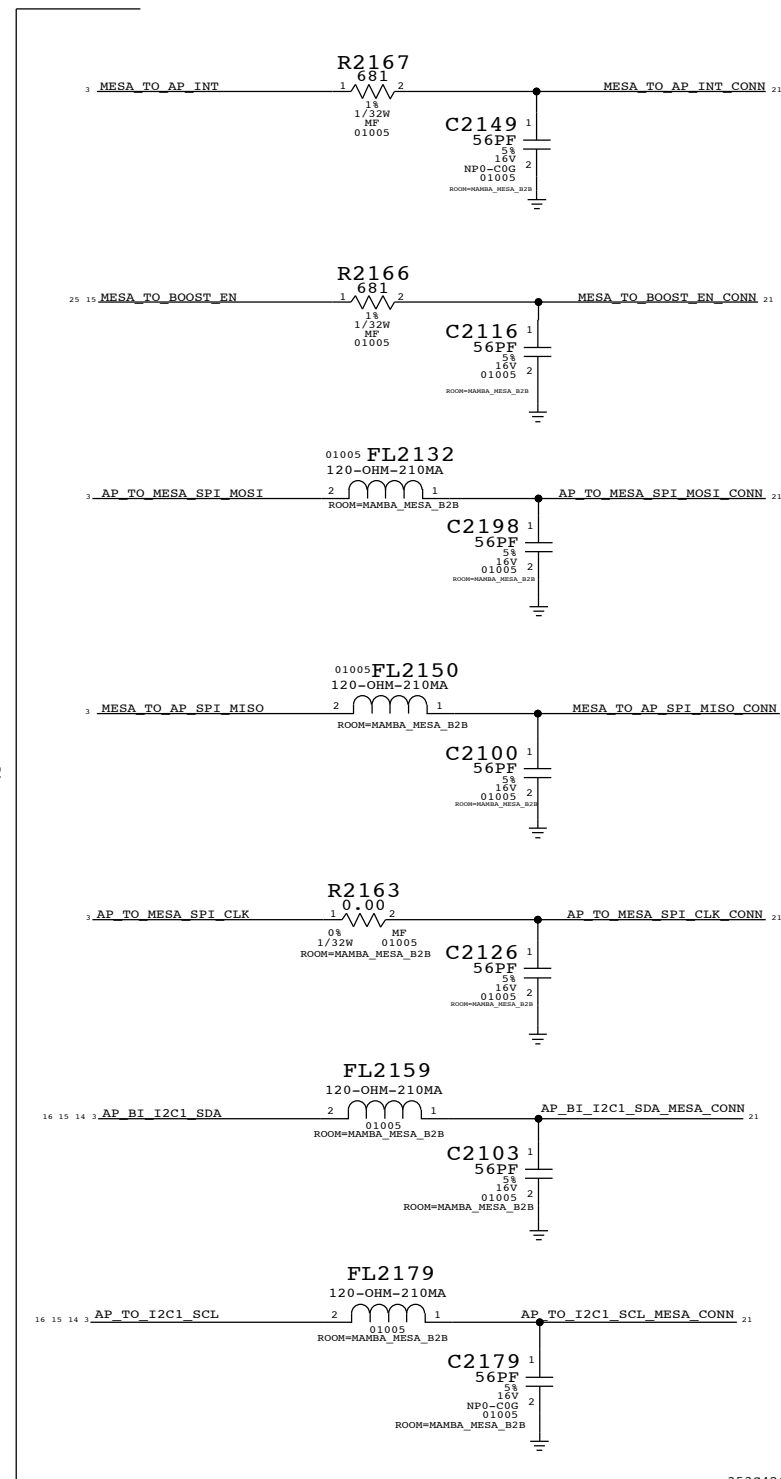
Touch



SYNC MASTER=N61 MLB		SYNC DATE=11/01/2013	
DISPLAY: FLEX CONN			
Apple Inc.		DRAWING NUMBER	051-0517
		REVISION	6.0.0
NOTICE OF PROPRIETARY PROPERTY:		BRANCH	
THE INFORMATION CONTAINED HEREIN IS THE PROPRIETARY PROPERTY OF APPLE INC. THE POSSESSOR AGREES TO THE FOLLOWING:		PAGE	20 OF 55
I TO MAINTAIN THIS DOCUMENT IN CONFIDENCE		SHEET	20 OF 55
II NOT TO REPRODUCE OR COPY IT			
III NOT TO REVEAL OR PUBLISH IT IN WHOLE OR PART			
IV ALL RIGHTS RESERVED			

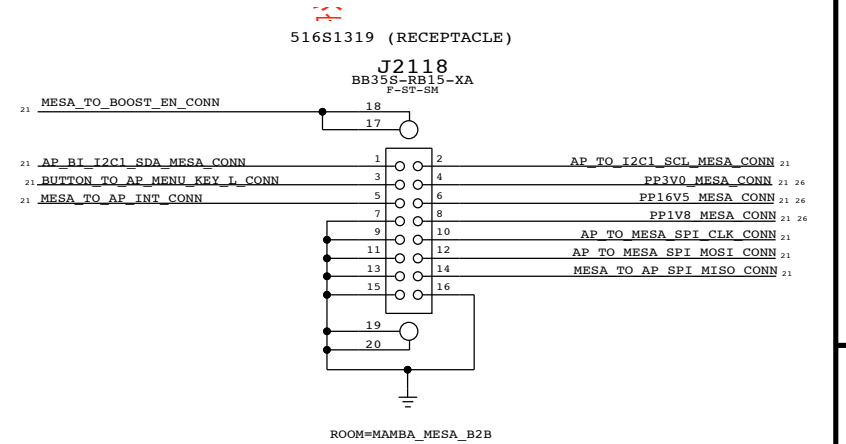
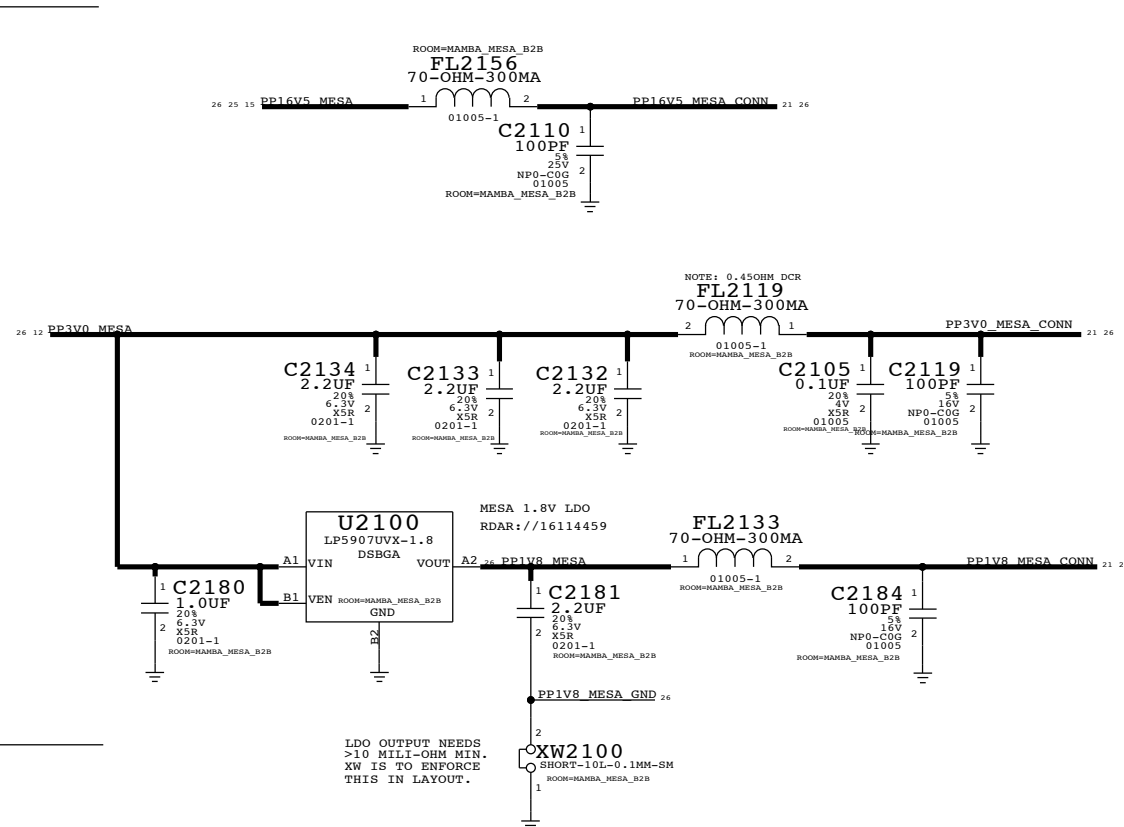
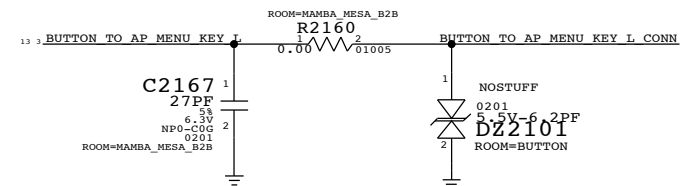
MESA CONNECTOR

MESA:
INT, EN, SPI, I2C



MENU
BUTTON

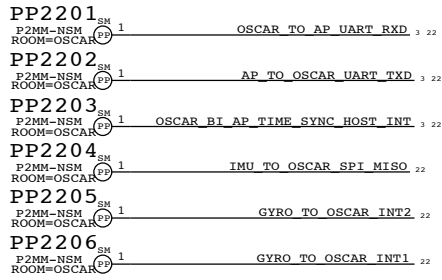
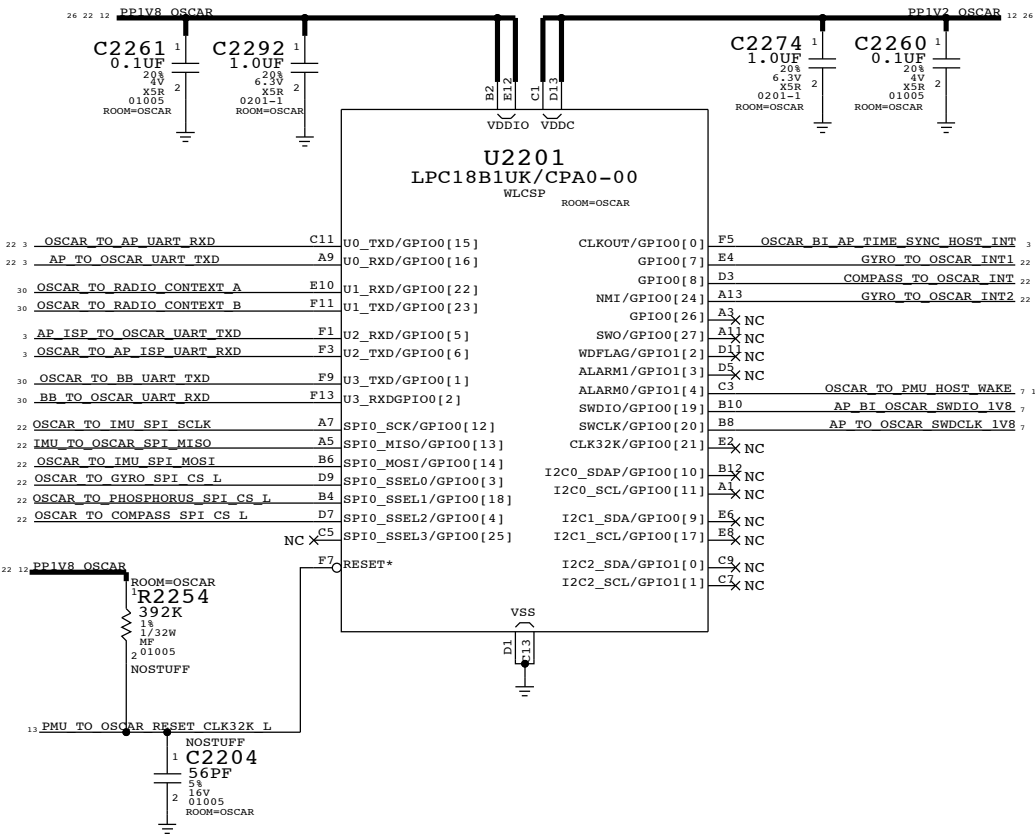
MESA:
POWER



PAGE TITLE		
SENSORS:MESA FLEX CONN		
Apple Inc.	DRAWING NUMBER	051-0517
	REVISION	6.0.0
NOTICE OF PROPRIETARY PROPERTY:		BRANCH
THE INFORMATION CONTAINED HEREIN IS THE PROPRIETARY PROPERTY OF APPLE INC. THE POSSESSOR AGREES TO THE FOLLOWING:		PAGE
I TO MAINTAIN THIS DOCUMENT IN CONFIDENCE		21 OF 55
II NOT TO REPRODUCE OR COPY IT		SHEET
III NOT TO REVEAL OR PUBLISH IT IN WHOLE OR PART		21 OF 55
IV ALL RIGHTS RESERVED		

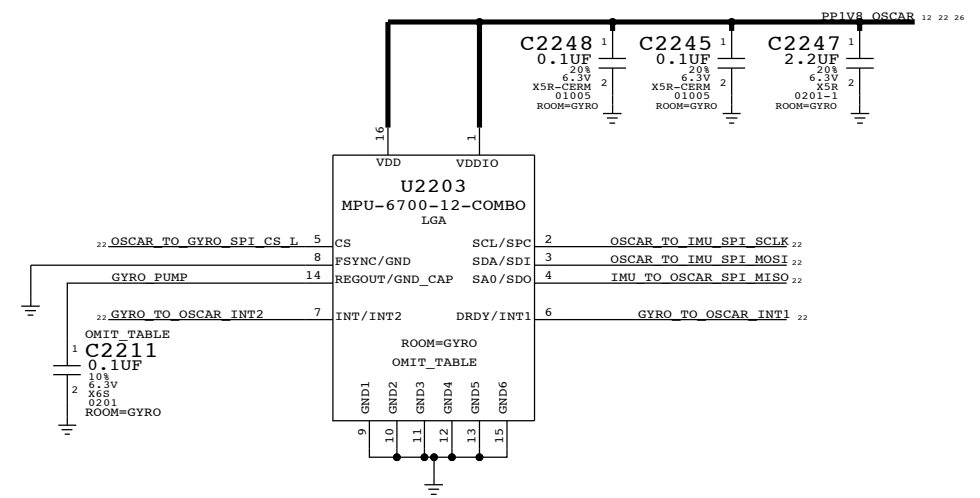
OSCAR + SENSORS

OSCAR VDDIO = 1.8V ALWAYS ON (NEED TO MAKE HOST & RUN PLL)
OSCAR CORE = 1.2V ALWAYS ON (NEED TO RUN IN SDRAM)



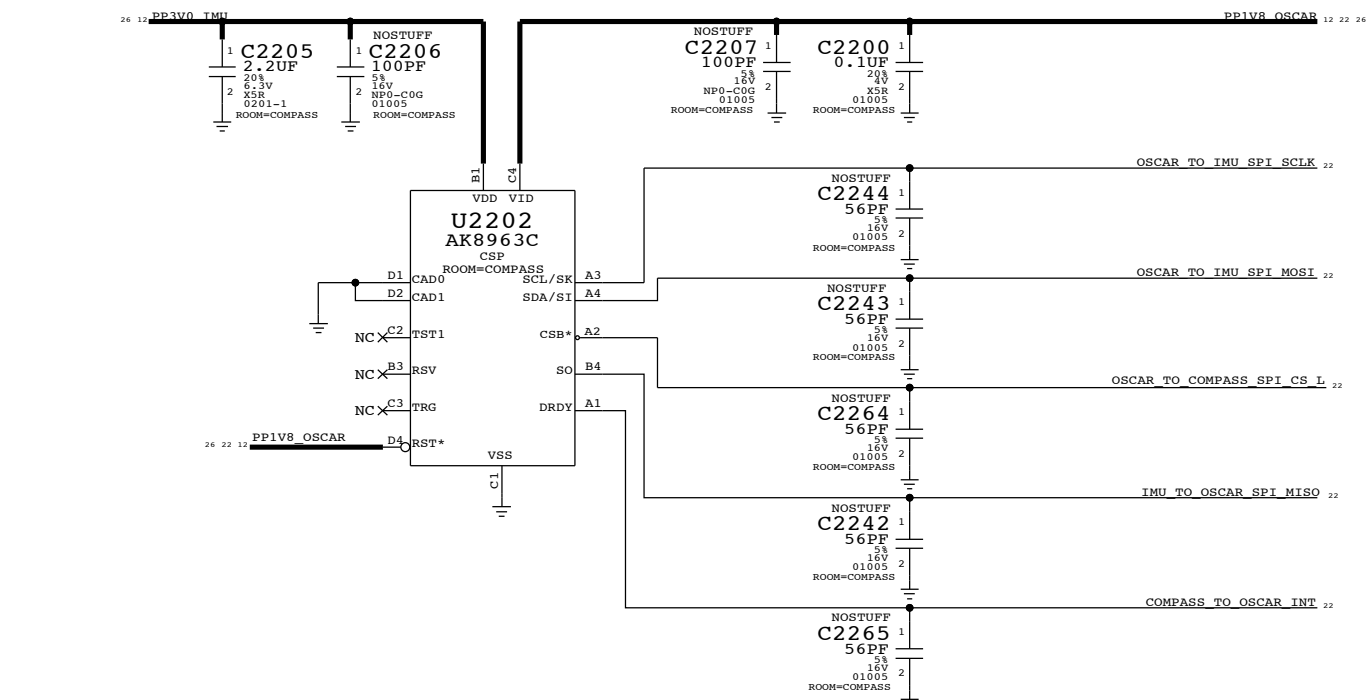
CARBON (ACCEL GYRO COMBO)

INVENSENSE, APN 338S00017, C2211=0.1UF (132S0395)
BOSCH, APN 338S00028, C2211=0.1UF (132S0395)
ST, APN 338S00029, C2211=0.01UF,25V (132S0391)

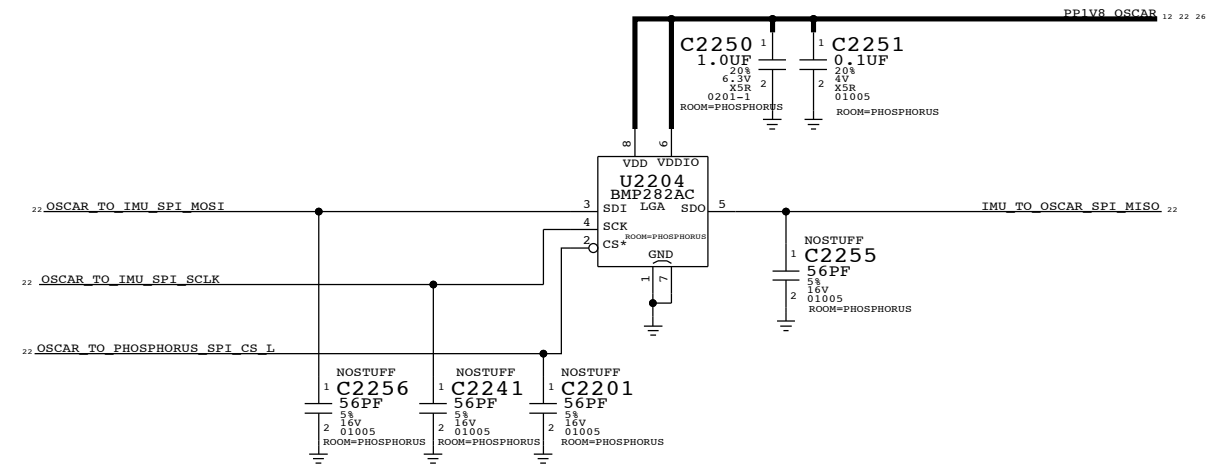


THIS PART OUTSIDE OF SHIELD ON THE PENINSULA

COMPASS



THIS IS OUTSIDE OF SHIELD IN TO THE RIGHT OF THE NAND
PHOSPHORUS



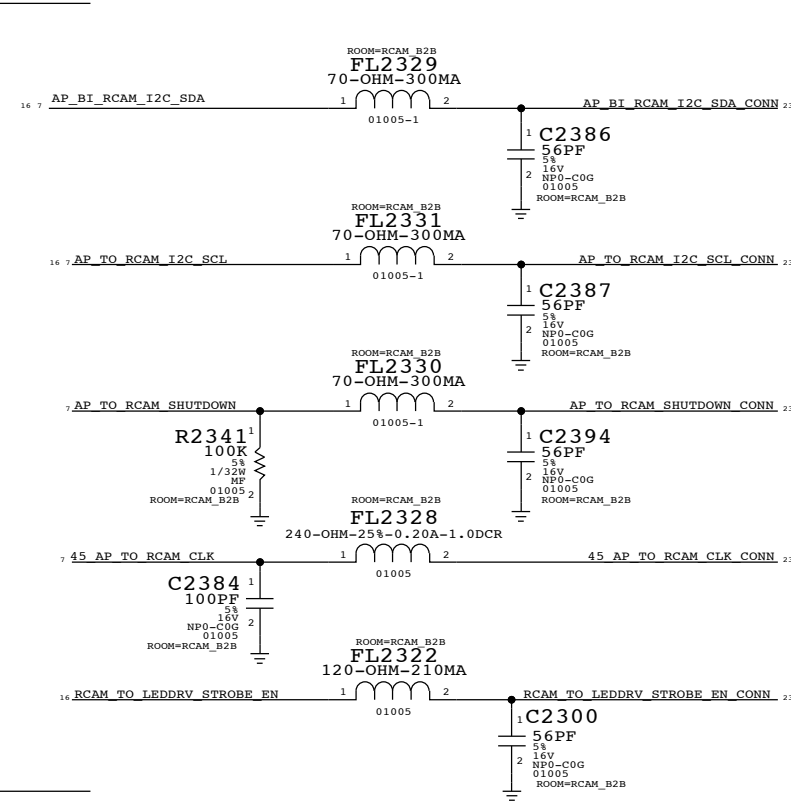
SYNC MASTER=N61 MLB		SYNC DATE=10/08/2013	
PAGE TITLE			
SENSORS:OSCAR,CARBON,PHOS,MAGNESIUM			
DRAWING NUMBER		SIZE	
051-0517		D	
REVISION		6.0.0	
NOTICE OF PROPRIETARY PROPERTY:		BRANCH	
THE INFORMATION CONTAINED HEREIN IS THE PROPRIETARY PROPERTY OF APPLE INC. THE POSSESSOR AGREES TO THE FOLLOWING:		PAGE	
I TO MAINTAIN THIS DOCUMENT IN CONFIDENCE		22 OF 55	
II NOT TO REPRODUCE OR COPY IT		SHEET	
III NOT TO REVEAL OR PUBLISH IT IN WHOLE OR PART		22 OF 55	
IV ALL RIGHTS RESERVED			

RCAM B2B (REAR CAMERA CONNECTOR)

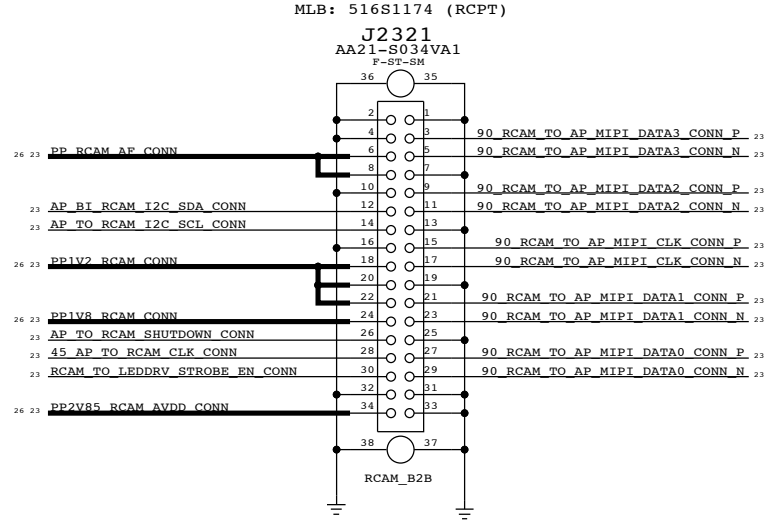
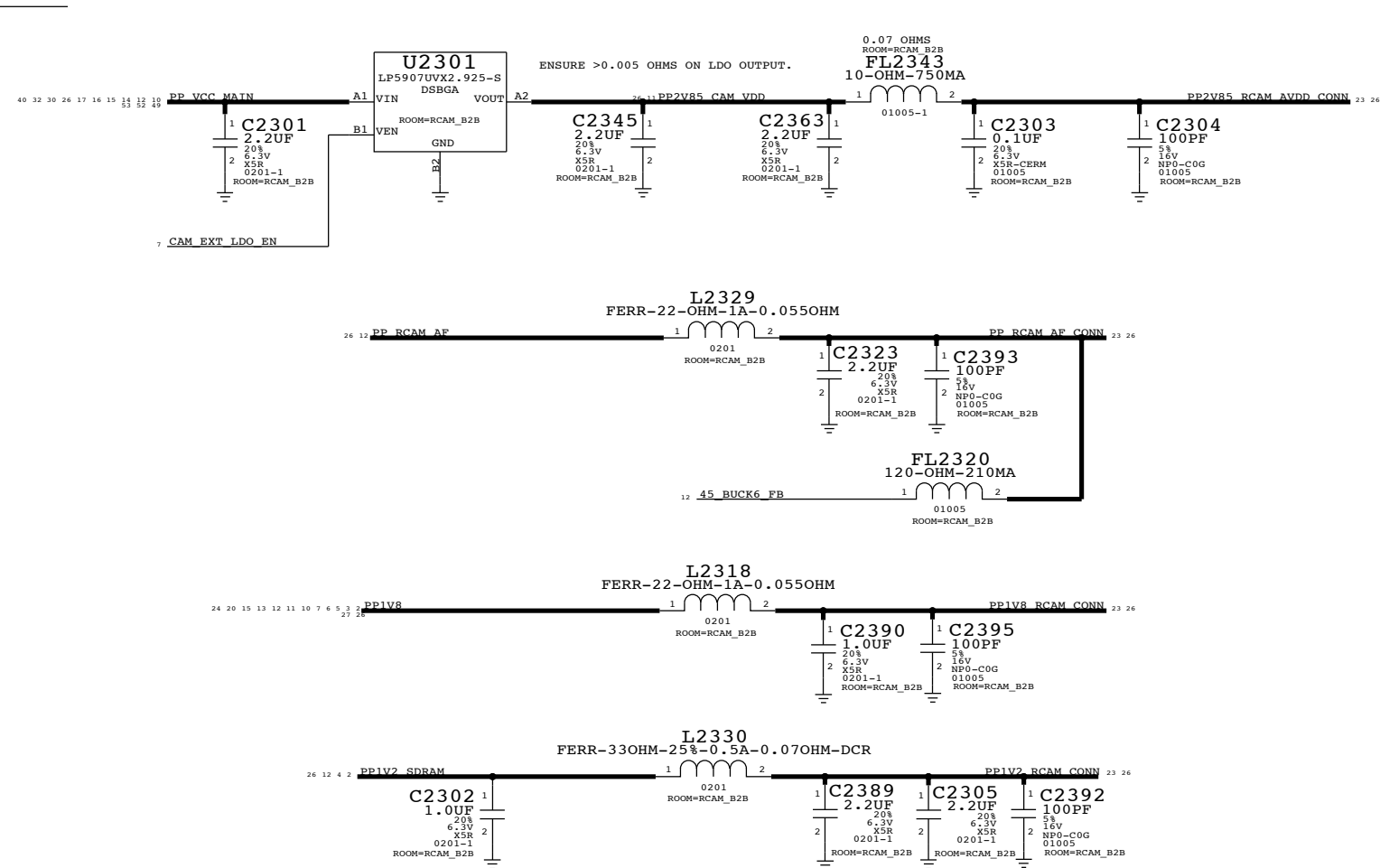
RCAM:
4-LANE MIPI



RCAM:
DIGITAL I/F
(I2C, CTRL, CLK)



RCAM:
POWER:
(1.8V DOVDD)
(2.9V AVDD)
(1.2V DVDD)
(2V AF)



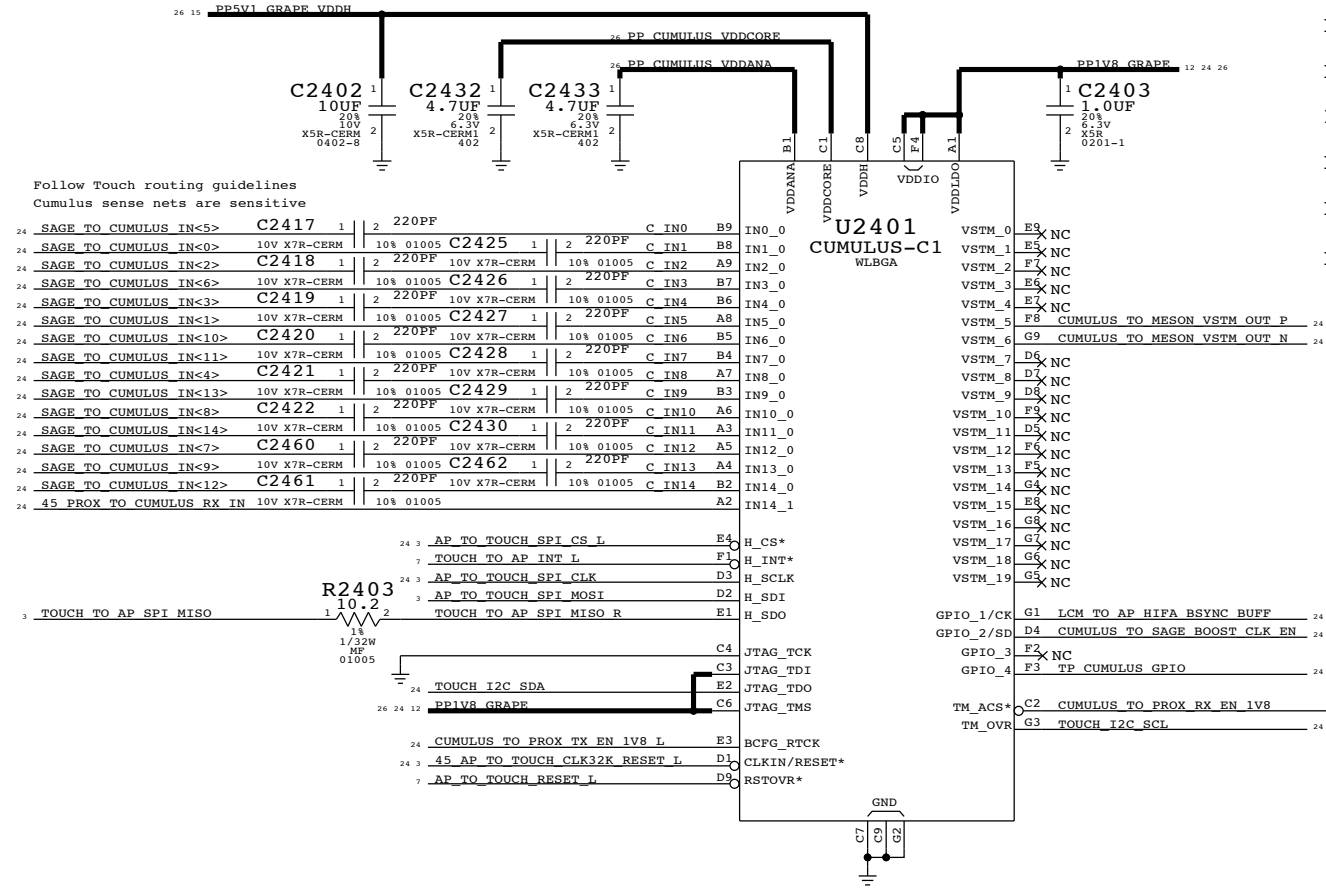
SYNC MASTER=N61 MLB		SYNC DATE=11/01/2013	
CAMERA: REAR FLEX CONN			
Apple Inc.		DRAWING NUMBER	051-0517
		REVISION	6.0.0
NOTICE OF PROPRIETARY PROPERTY:		BRANCH	
THE INFORMATION CONTAINED HEREIN IS THE PROPRIETARY PROPERTY OF APPLE INC. THE POSSESSOR AGREES TO THE FOLLOWING:		PAGE	23 OF 55
I TO MAINTAIN THIS DOCUMENT IN CONFIDENCE		SHEET	23 OF 55
II NOT TO REPRODUCE OR COPY IT			
III NOT TO REVEAL OR PUBLISH IT IN WHOLE OR PART			
IV ALL RIGHTS RESERVED			

Touch (B2B, Driver ICs)

Cumulus

APN: 34350638

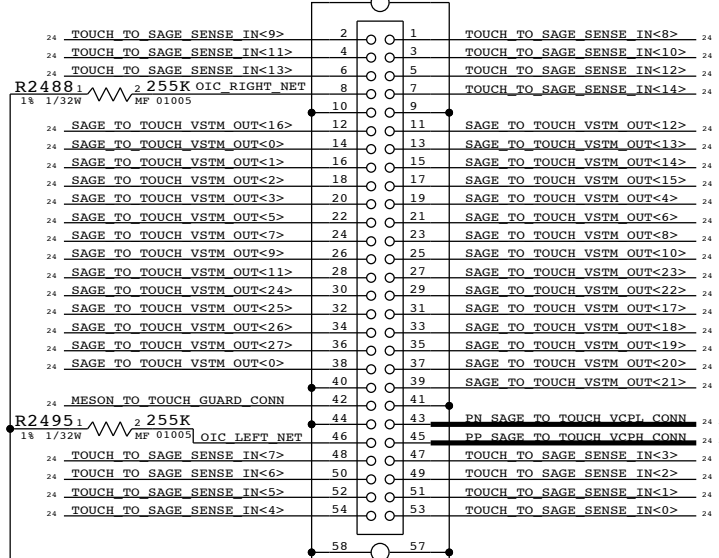
Turn on is later than PPIV8_GRAPE
Turn off is same time as PPIV8_GRAPE



Touch B2B

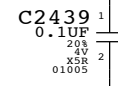
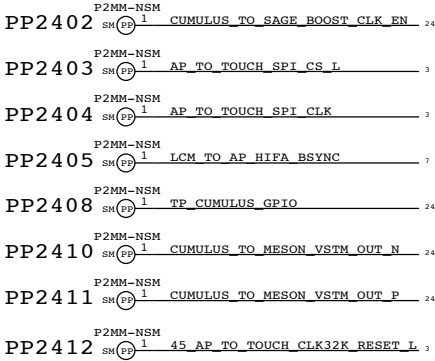
MLB APN : 516S1183 (Receptacle)
Flex APN: 516S1182 (Plug)

J2401
AA21-S054VA1
F-ST-SM



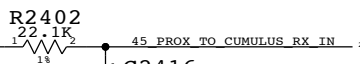
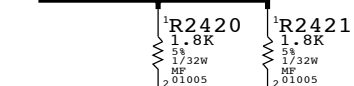
Meson

APN: 34350694



Tantalums solved singing caps issue. Validate issue is resolved with Meson and replace with 0402 ceramics.

I2C pull-ups



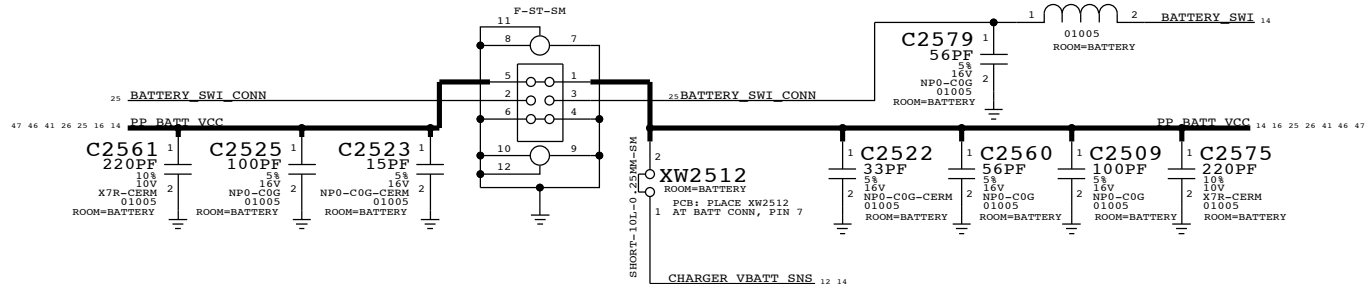
PAGE TITLE		SYNC MASTER=N/A		SYNC DATE=N/A	
TOUCH : CUMULUS , MESON					
Apple Inc.		DRAWING NUMBER	051-0517	SIZE	D
		REVISION	6.0.0	BRANCH	
NOTICE OF PROPRIETARY PROPERTY:					
THE INFORMATION CONTAINED HEREIN IS THE PROPRIETARY PROPERTY OF APPLE INC. THE POSSESSOR AGREES TO THE FOLLOWING:					
I TO MAINTAIN THIS DOCUMENT IN CONFIDENCE					
I I NOT TO REPRODUCE OR COPY IT					
I I I NOT TO REVEAL OR PUBLISH IT IN WHOLE OR PART					
I V ALL RIGHTS RESERVED					

BATT CONN, TPS, STANDOFFS/SHIELDS/FIDUCIALS

BATTERY CONN

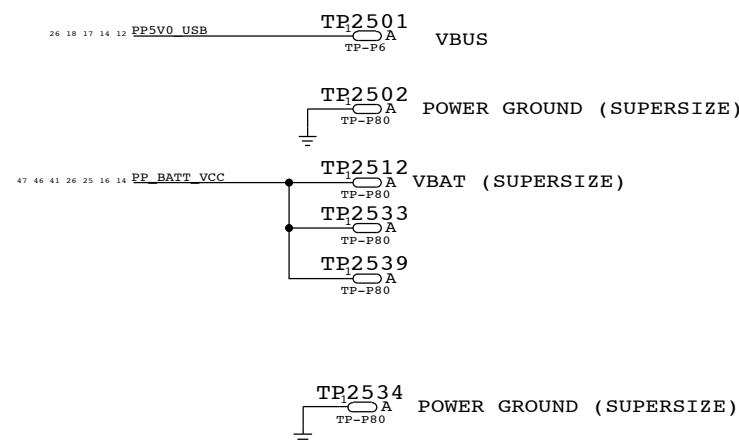
THIS ONE ON MLB ---> 516S1080 RCPT
SCHEMATIC SYMBOL(PIN ORDER) IS WIERD !!

J2523
RCPT-BATT-2BLADES-0.90

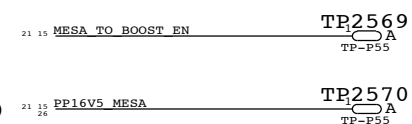


TESTPOINTS

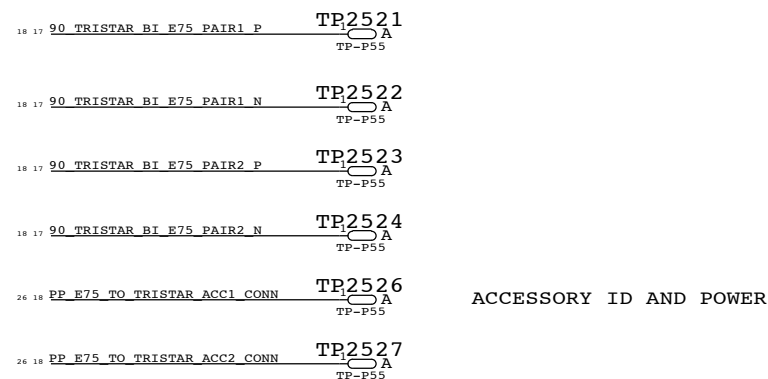
POWER TP



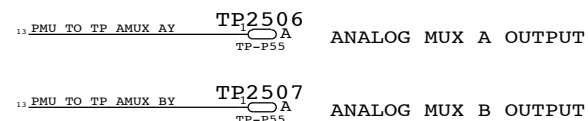
MOJAVE TP



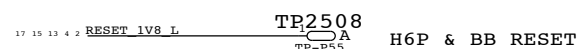
E75 - USB/UART/ID/POWER



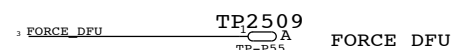
SUPER TP



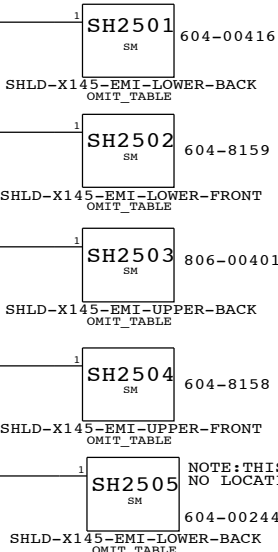
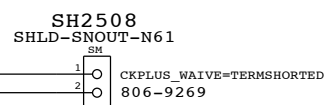
RESET



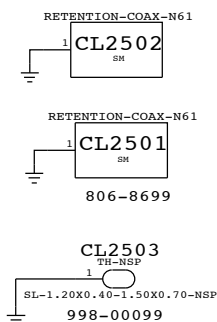
DFU



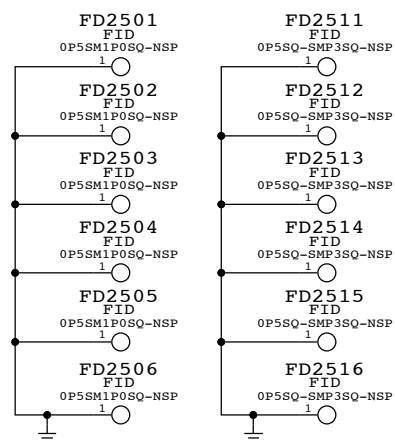
SHIELDS



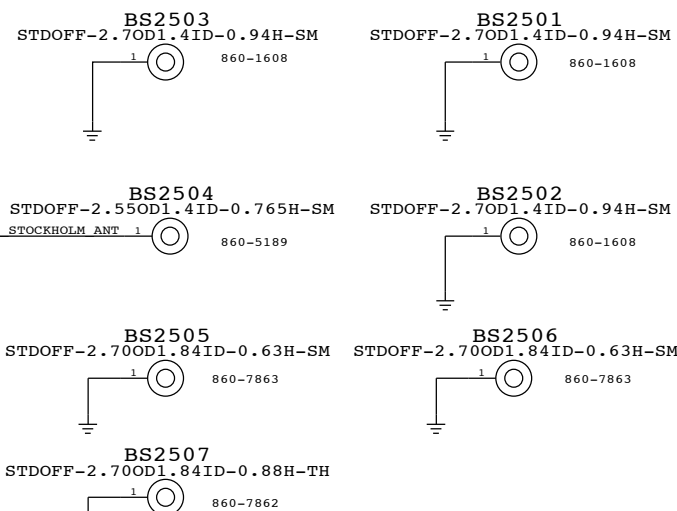
RF CLIPS



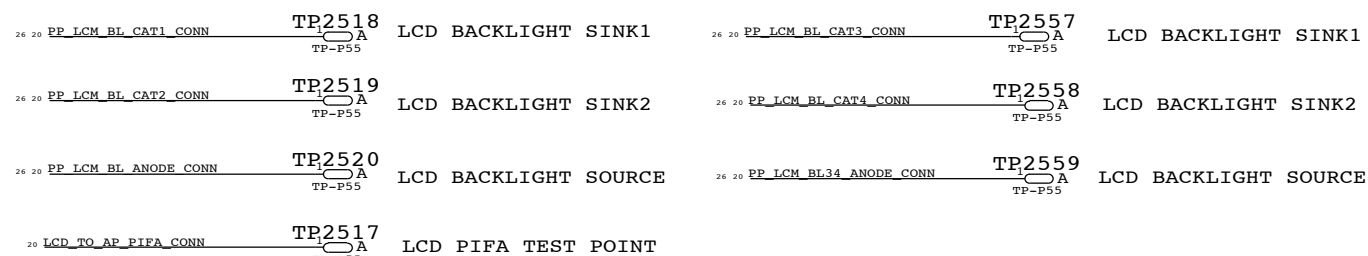
FIDUCIALS



STANDOFFS

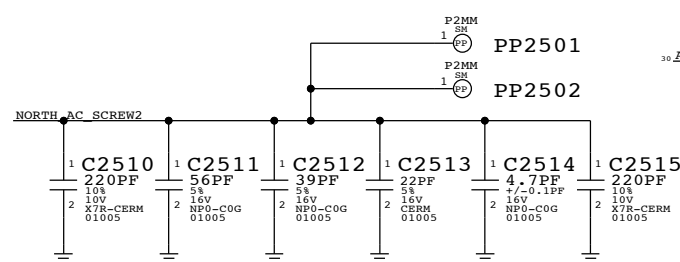


LCM BACKLIGHT



SCREW HOLES + STANDOFFS

PROBE POINTS TO BE PLACED NEAR THROUGH-HOLE IN UPPER LEFT OF BOARD. ONE FOR TOP, ONE FOR BOTTOM.




PAGE TITLE		SYNC DATE=N/A	
POWER:BATT CONN,TPS,PD FEATURES			
DRAWING NUMBER		051-0517	
REVISION		6.0.0	
NOTICE OF PROPRIETARY PROPERTY:		BRANCH	
THE INFORMATION CONTAINED HEREIN IS THE PROPRIETARY PROPERTY OF APPLE INC. THE POSSESSOR AGREES TO THE FOLLOWING:		PAGE	
I TO MAINTAIN THIS DOCUMENT IN CONFIDENCE		25 OF 55	
II NOT TO REPRODUCE OR COPY IT		SHEET	
III NOT TO REVEAL OR PUBLISH IT IN WHOLE OR PART		25 OF 55	
IV ALL RIGHTS RESERVED			

VOLTAGE PROPERTIES

E58	VOLTAGE=3.3V	PP3V3 USB	2 12
E59	VOLTAGE=1.8V	PP1V8 VA I19 I67	10 12 16
E60	VOLTAGE=3.0V	PP3V0 TRISTAR	12 15 17 30
E61	VOLTAGE=3.0V	PP3V0 TMU	12 22
E62	VOLTAGE=3.0V	PP3V0 NAND	6 12
E63	VOLTAGE=3.0V	PP3V3 ACC	12 17
E64	VOLTAGE=3.0V	PP3V0 PROX ALS	11 12
E65	VOLTAGE=3.0V	PP2V9 IDO9	12
E66	VOLTAGE=4.6V	PP VCC MAIN	10 12 14 15 16 17 23 30 32
E67	VOLTAGE=1.0V	PP1V0	7 12
E68	VOLTAGE=3.0V	PP3V0 PROX TRIPD	11 12
E69	VOLTAGE=1.8V	PP1V8 ALWAYS	3 5 12 14
E70	VOLTAGE=3.0V	PP3V0 MESA	12 21
E71	VOLTAGE=1.1V	PP CPU	4 12
E72	VOLTAGE=1.1V	PP GPU	4 12
E73	VOLTAGE=1.2V	PP1V2 SDRAM	2 4 12 23
E74	VOLTAGE=1.8V	PP1V8 SDRAM	3 4 10 12 13 14 15 17 30
E75	VOLTAGE=1.8V	PP1V8	2,3,5 6 7 10 11 12 13 15 20 23
E76	VOLTAGE=1.8V	PP1V8 GRAPE	12 24
E77	VOLTAGE=1.8V	PP1V8 OSCAR	12 22
E78	VOLTAGE=1.2V	PP1V2 NAND VDDT	6
E79	VOLTAGE=1.8V	PP EXTMIC BIAS FILT IN	10
E80	VOLTAGE=1.8V	BOARD ID2	3 27
E81	VOLTAGE=1.2V	PP1V2	3 4 5 11 12
E82	VOLTAGE=5.0V	PP E75 TO TRISTAR ACC1 CONN	18 25
E83	VOLTAGE=5.0V	PP E75 TO TRISTAR ACC1	17 18
E84	VOLTAGE=22.0V	PP LCM BL ANODE	15 20
E85	VOLTAGE=0.2V	PP LCM BL CAT2	15 20
E86	VOLTAGE=0.2V	PP LCM BL CAT1	15 20
E87	VOLTAGE=0.2V	PP LCM BL CAT2 CONN	20 25
E88	VOLTAGE=0.2V	PP LCM BL CAT1 CONN	20 25
E89	VOLTAGE=-5.7V	PN5V7 SAGE AVDDN	15 20 24
E90	VOLTAGE=1.2V	PP1V2 OSCAR	12 22
E91	VOLTAGE=3.0V	PP3V0 MESA CONN	21
E92	VOLTAGE=6V	PP6V0 LCM BOOST	15
E93	VOLTAGE=5.0V	PP STRB DRIVER TO LED WARM	8 16
E94	VOLTAGE=5.0V	PP STRB DRIVER TO LED COOL	8 16
E95	VOLTAGE=1.8V	PP CODEC TO MIC1 BIAS	10 18
E96	VOLTAGE=1.8V	PP EXTMIC BIAS IN	10
E97	VOLTAGE=1.8V	PP EXTMIC BIAS FILT	10
E98	VOLTAGE=1.8V	PP CODEC TO FRONTMIC3 BIAS	10 11
E99	VOLTAGE=1.8V	PP CODEC TO REARMIC2 BIAS	8 10
E100	VOLTAGE=1.8V	PP CODEC FILT4	10
E101	VOLTAGE=2.2V	PP CODEC SPKR VO	10
E102	VOLTAGE=2.5V	PP CODEC VCPH1L1	10
E103	VOLTAGE=2.5V	PP CODEC VCPH1L2	10
E104	VOLTAGE=2.5V	PP CODEC VHP FLN	10
E105	VOLTAGE=0.2V	PP CODEC VHP FLN	10
E106	VOLTAGE=2.5V	PP CODEC VHP FLN	10
E107	VOLTAGE=1.8V	PP1V8 FCAM CONN	11
E108	VOLTAGE=3.0V	PP2V85 FCAM AVDD CONN	11
E109	VOLTAGE=1.8V	PP CODEC TO FRONTMIC3 BIAS CONN	11
E110	VOLTAGE=3.0V	PP3V0 ALS CONN	11
E111	VOLTAGE=1.2V	PP1V2 FCAM VDDIO CONN	11
E112	VOLTAGE=5.0V	PP5V0 USB	12 14 17 18 25
E113	VOLTAGE=5.0V	PP5V0 USB TO PMU	12
E114	VOLTAGE=4.6V	PP BUCK5 LX1	12
E115	VOLTAGE=4.6V	PP BUCK3 LX	12
E116	VOLTAGE=4.6V	PP BUCK4 LX	12
E117	VOLTAGE=4.6V	PP BUCK2 LX	12
E118	VOLTAGE=4.6V	PP BUCK1 LX1	12
E119	VOLTAGE=4.6V	PP BUCK1 LX0	12
E120	VOLTAGE=4.6V	PP BUCK0 LX3	12
E121	VOLTAGE=4.6V	PP BUCK0 LX2	12
E122	VOLTAGE=4.6V	PP BUCK0 LX1	12
E123	VOLTAGE=4.6V	PP BUCK0 LX0	12
E124	VOLTAGE=6.0V	PP CHESTNUT LXP	15
E125	VOLTAGE=6.0V	PP CHESTNUT CP	15
E126	VOLTAGE=6.0V	PP CHESTNUT CN	15
E127	VOLTAGE=5.7V	PP5V7 SAGE AVDDH	15 24
E128	VOLTAGE=5.7V	PP5V7 LCM AVDDH	15 20
E129	VOLTAGE=5.1V	PP5V1 GRAPE VDDH	15 24
E130	VOLTAGE=22.0V	PP WLED LX	15
E131	VOLTAGE=18.0V	PP18V0 MESA SW	15
E132	VOLTAGE=17.0V	PP17V0 MESA SW	15
E133	VOLTAGE=16.5V	PP16V5 MESA	15 21 25
E134	VOLTAGE=8.0V	PP SPKAMP SW	16
E135	VOLTAGE=8.0V	PP I19 VBOOST	16
E136	VOLTAGE=1.8V	PP SPKAMP FILT	16
E137	VOLTAGE=1.8V	PP SPKAMP IDO FILT	16
E138	VOLTAGE=5.0V	PP LED DRV LX	16
E139	VOLTAGE=5.0V	PP LED BOOST OUT	16
E140	VOLTAGE=2.7V	PP BB VDD 2V7 CONN	18
E141	VOLTAGE=1.8V	PP CODEC TO MIC1 BIAS CONN	18
E142	VOLTAGE=4.6V	PP E75 TO TRISTAR ACC2	17 18
E143	VOLTAGE=4.6V	PP E75 TO TRISTAR ACC2 CONN	18 25
E144	VOLTAGE=1.8V	PP1V8 LCM CONN	20
E145	VOLTAGE=22.0V	PP LCM BL ANODE CONN	20 25
E146	VOLTAGE=-5.7V	PN5V7 LCM AVDDN CONN	20
E147	VOLTAGE=5.7V	PP5V7 LCM AVDDH CONN	20
E148	VOLTAGE=2.95V	PP IDO13 GPS	51
E149	VOLTAGE=1.8V	PP1V8 MESA	21
E150	VOLTAGE=16.5V	PP16V5 MESA CONN	21
E151	VOLTAGE=5.0V	PP TRISTAR PIN	17
E152	VOLTAGE=1.2V	PP1V2 FCAM CONN	23
E153	VOLTAGE=1.8V	PP1V8 FCAM CONN	23
E154	VOLTAGE=3.0V	PP2V85 CAM VDD	23 25
E155	VOLTAGE=1.8V	PP2V85 FCAM AVDD CONN	23
E156	VOLTAGE=1.8V	PP CHIMULUS VDDCORE	24
E157	VOLTAGE=1.2V	PP CHIMULUS VDDANA	24
E158	VOLTAGE=13.5V	PP SAGE TO TOUCH VCPH CONN	24
E159	VOLTAGE=-12V	PN SAGE TO TOUCH VCPH CONN	24
E160	VOLTAGE=13.5V	PP SAGE TO TOUCH VCPH	24
E161	VOLTAGE=-12V	PN SAGE TO TOUCH VCPH	24
E162	VOLTAGE=-12V	PN SAGE VCPH F	24
E163	VOLTAGE=5.7V	PP SAGE LX	24
E164	VOLTAGE=17.0V	PP SAGE LX	24
E165	VOLTAGE=1.8V	PP PMU VREF	13
E166	VOLTAGE=14V	PP SAGE VBST OUTH	24
E167	VOLTAGE=5.0V	PP TIGRIS VBIUS DET	14
E168	VOLTAGE=2.5V	PP PMU VDD REF	13
E169	VOLTAGE=1.8V	PP EXTMIC BIAS	10
E170	VOLTAGE=1.8V	PP1V8 XTAL	2
E171	VOLTAGE=1.8V	PP PMU VDD RTC	13
E172	VOLTAGE=3.80V	PP BATT VCC	14 16 25 41 46 47
E173	VOLTAGE=1.8V	PP1V8 MESA CONN	21
E174	VOLTAGE=3.0V	PP3V0 PROX CONN	11
E175	VOLTAGE=1.0V	PP0V95 FIXED SOC	4 7 12
E176	VOLTAGE=1.0V	PP0V95 FIXED SOC PCIE	7
E177	VOLTAGE=1.2V	PP1V2 PLL	2
E178	VOLTAGE=1.0V	PP BUCK5 LX1	12
E179	VOLTAGE=1.0V	PP VAR SOC	5 12
E180	VOLTAGE=3.00V	PP PN65 SIM PMU	53 55
E181	VOLTAGE=1.8V	PP1V8 HALL CONN	
E182	VOLTAGE=1.8V	PP1V8 MESA GND	21
E183	VOLTAGE=5.0V	CHARGER IDO	14
E184	VOLTAGE=5.0V	PMID CAP	14

N56 SPECIFIC VOLTAGE PROPERTIES

E185	VOLTAGE=22.0V	PP WLED34 LX	15
E186	VOLTAGE=22.0V	PP LCM BL34 ANODE	15 20
E187	VOLTAGE=22.0V	PP LCM BL34 ANODE CONN	20 25
E188	VOLTAGE=0.2V	PP LCM BL CAT3	15 20
E189	VOLTAGE=0.2V	PP LCM BL CAT4	15 20
E190	VOLTAGE=0.2V	PP LCM BL CAT3 CONN	20 25
E191	VOLTAGE=0.2V	PP LCM BL CAT4 CONN	20 25
E192	VOLTAGE=-12V	PN SAGE TO TOUCH VCPH FILT	24
E193	VOLTAGE=2.0V	PP RCAM AF	12 23
E194	VOLTAGE=2.0V	PP RCAM AF CONN	23
E195	VOLTAGE=-14.0V	PN SAGE VBST OUTL	24
E196	VOLTAGE=-5.7V	PN5V7 SAGE AVDDN FILT	
E197	VOLTAGE=2.0V	PP BUCK6 LX	12

PAGE TITLE SYSTEM:VOLTAGE PROPERTIES		
 Apple Inc.	DRAWING NUMBER 051-0517	SIZE D
	REVISION 6.0.0	
NOTICE OF PROPRIETARY PROPERTY:		
THE INFORMATION CONTAINED HEREIN IS THE PROPRIETARY PROPERTY OF APPLE INC. THE POSSESSOR AGREES TO THE FOLLOWING:		
I TO MAINTAIN THIS DOCUMENT IN CONFIDENCE		
II NOT TO REPRODUCE OR COPY IT		
III NOT TO REVEAL OR PUBLISH IT IN WHOLE OR PART		
IV ALL RIGHTS RESERVED		
BRANCH	PAGE 26 OF 55	SHEET 26 OF 55

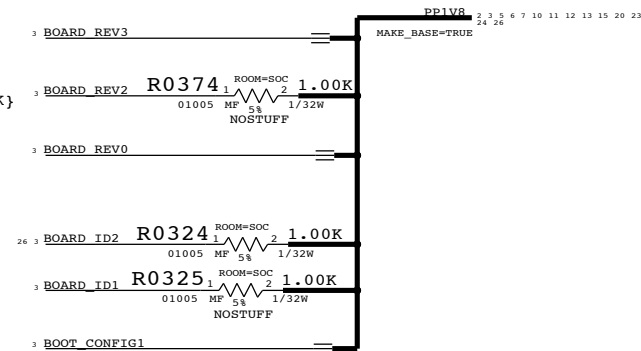
N56 SPECIFIC


BOOTSTRAPPING (BOARD_REV, BOARD_ID, BOOT_CFG, DISPLAY ID)

```
BOARD_REV[3:0]={GPIO34, GPIO35, GPIO36, GPIO37}
FLOAT=LOW, PULLUP=HIGH
1111 PROTO1
1110 PROTO1, ALTERNATE
1100 PROTO2
1011 EVT
1001 CARRIER BUILD <--- SELECTED
```

```
BOARD_ID[4:0]={GPIO29, GPIO16, SPI00_MISO, SPI0_MOSI, SPI0_SCLK}
FLOAT=LOW, PULLUP=HIGH
00100 N56, T133 MLB <--- SELECTED
00101 N56 DEV
00110 FIJI N61 MLB
```

```
BOOT_CONFIG[2:0]={GPIO28, GPIO25, GPIO18}
FLOAT=LOW, PULLUP=HIGH
000 SPI0
001 SPI0 TEST MODE
010 NAND <--- SELECTED
011 NAND TEST MODE
100 NVME
101 NVME TEST MODE
111 FAST SPI
```



PAGE TITLE		
SYSTEM:N56 SPECIFIC		
 Apple Inc.	DRAWING NUMBER	051-0517
	REVISION	6.0.0
NOTICE OF PROPRIETARY PROPERTY:		BRANCH
THE INFORMATION CONTAINED HEREIN IS THE PROPRIETARY PROPERTY OF APPLE, INC. THE POSSESSOR AGREES TO THE FOLLOWING: I TO MAINTAIN THIS DOCUMENT IN CONFIDENCE II NOT TO REPRODUCE OR COPY IT III NOT TO REVEAL OR PUBLISH IT IN WHOLE OR PART IV ALL RIGHTS RESERVED		PAGE
		27 OF 55
		SHEET
		27 OF 55

8

7

6

5

4

3

2

1

D

D

C

C

B

B

A

A

8

7

6


5

4

3

2

1

PAGE TITLE		BLANK	
 Apple Inc.	DRAWING NUMBER	051-0517	SIZE
	REVISION	6.0.0	
NOTICE OF PROPRIETARY PROPERTY:		BRANCH	
THE INFORMATION CONTAINED HEREIN IS THE PROPRIETARY PROPERTY OF APPLE INC. THE POSSESSOR AGREES TO THE FOLLOWING: I TO MAINTAIN THIS DOCUMENT IN CONFIDENCE II NOT TO REPRODUCE OR COPY IT III NOT TO REVEAL OR PUBLISH IT IN WHOLE OR PART IV ALL RIGHTS RESERVED		PAGE	28 OF 55
		SHEET	28 OF 55

8

7

6

5

4

3

2

1

D

D

C

C

B

B

A

A

8

7

6


5

4

3

2

1

PAGE TITLE		BLANK	
 Apple Inc.	DRAWING NUMBER	051-0517	SIZE
	REVISION	6.0.0	
NOTICE OF PROPRIETARY PROPERTY:		BRANCH	
THE INFORMATION CONTAINED HEREIN IS THE PROPRIETARY PROPERTY OF APPLE INC. THE POSSESSOR AGREES TO THE FOLLOWING: I TO MAINTAIN THIS DOCUMENT IN CONFIDENCE II NOT TO REPRODUCE OR COPY IT III NOT TO REVEAL OR PUBLISH IT IN WHOLE OR PART IV ALL RIGHTS RESERVED		PAGE	29 OF 55
		SHEET	29 OF 55

RADIO_MLB HIERARCHICAL SYMBOL

POWER

32	30	26	23	17	16	15	14	13	12	10	PP_VCC_MAIN	MAKE_BASE+TRUE	142	PP_VCC_MAIN	10	12	14	15	16	17	23	26	30	32
											PP_VCC_MAIN_WLAN	MAKE_BASE+TRUE	143											

CELLULAR HOUSE KEEPING

3	AP_TO_RADIO_ON_L	MAKE_BASE+TRUE	144	RADIO_ON_L	31	33
3	BB_TO_AP_RESET_DET_L	MAKE_BASE+TRUE	145	BB_RESET_DET_L	31	36
13	PMU_TO_BB_RST_L	MAKE_BASE+TRUE	146	RF_PMIC_RESET_L	31	33
3	AP_TO_BB_RST_L	MAKE_BASE+TRUE	147	BB_RST_L	31	33
			190			
3	AP_TO_BB_WAKE_MODEM	MAKE_BASE+TRUE	150	AP_WAKE_MODEM	36	
13	BB_TO_PMU_HOST_WAKE_L	MAKE_BASE+TRUE	151	BB_WAKE_HOST_L	31	36
3	BB_TO_AP_IPC_GPIO	MAKE_BASE+TRUE	152	BB_IPC_GPIO	36	
16	BB_TO_LEDDRVM_GSM_BLANK	MAKE_BASE+TRUE	153	GSM_TXBURST_IND	36	
3	BB_TO_AP_IPC_GPIO1	MAKE_BASE+TRUE	154	BB_IPC_GPIO1	36	

HSIC IPC

2	50_AP_BI_BB_HSIC1_DATA	MAKE_BASE+TRUE	154	50_BB_HSIC_DATA	31	35
2	50_AP_BI_BB_HSIC1_STB	MAKE_BASE+TRUE	155	50_BB_HSIC_STROBE	31	35
3	AP_TO_BB_HOST_RDY	MAKE_BASE+TRUE	156	BB_HOST_RDY	31	36
3	BB_TO_AP_DEVICE_RDY	MAKE_BASE+TRUE	157	BB_DEVICE_RDY	31	36
3	BB_TO_AP_GPS_SYNC	MAKE_BASE+TRUE	158	BB_GPS_SYNC	31	36

UART IPC

3	AP_TO_BB_UART2_RTS_L	MAKE_BASE+TRUE	159	BB_UART_CTS_L	31	36
3	BB_TO_AP_UART2_CTS_L	MAKE_BASE+TRUE	160	BB_UART_RTS_L	31	36
17	AP_TO_BB_UART2_TXD	MAKE_BASE+TRUE	161	BB_UART_RXD	31	36
17	BB_TO_AP_UART2_RXD	MAKE_BASE+TRUE	162	BB_UART_TXD	31	36

AUDIO I2S

3	45_AP_TO_BB_I2S3_BCLK	MAKE_BASE+TRUE	163	BB_I2S_CLK	36	
3	AP_TO_BB_I2S3_DOUT	MAKE_BASE+TRUE	164	BB_I2S_RXD	31	36
3	BB_TO_AP_I2S3_DIN	MAKE_BASE+TRUE	165	BB_I2S_TXD	31	36
3	AP_TO_BB_I2S3_LRCLK	MAKE_BASE+TRUE	166	BB_I2S_WS	31	36

OSCAR UART

22	OSCAR_TO_BB_UART_TXD	MAKE_BASE+TRUE	167	BB_OTHER_RXD	31	36
22	BB_TO_OSCAR_UART_RXD	MAKE_BASE+TRUE	168	BB_OTHER_TXD	31	36

BB DEBUG INTERFACES

3	AP_TO_BB_COREDUMP	MAKE_BASE+TRUE	170	BB_CORE_DUMP	31	36
13	PMU_TO_BB_VBUS_DET	MAKE_BASE+TRUE	171	BB_USB_VBUS	31	35
17	90_TRISTAR_BI_BB_USB_N	MAKE_BASE+TRUE	172	90_BB_USB_N	31	35
17	90_TRISTAR_BI_BB_USB_P	MAKE_BASE+TRUE	173	90_BB_USB_P	31	35

RADIO ANTENNA CONTROL

18	PP_BB_VDD_2V7	MAKE_BASE+TRUE	175	PP_LDO14_RFSW	32	42	43	51
18	BB_GPIO0	MAKE_BASE+TRUE	176	BB_LAT_GPIO0	36			
18	BB_GPIO2	MAKE_BASE+TRUE	177	BB_LAT_GPIO2	36			
18	BB_GPIO3	MAKE_BASE+TRUE	178	BB_LAT_GPIO3	36			
18	BB_GPIO4	MAKE_BASE+TRUE	179	BB_LAT_GPIO4	36			

FCT TESTING

13	RADIO_TO_PMU_ADC_SMPS1	MAKE_BASE+TRUE	182	ADC_SMPS1	31	
13	RADIO_TO_PMU_ADC_PP_LDO11_VDDIO	MAKE_BASE+TRUE	183	ADC_PP_LDO11	31	
13	RADIO_TO_PMU_ADC_PP_LDO5_SIM	MAKE_BASE+TRUE	184	ADC_PP_LDO5	31	
13	RADIO_TO_PMU_ADC_SMPS4	MAKE_BASE+TRUE	185	ADC_SMPS4	31	

UPPER RADIO ANTENNA CONTROL

30	26	17	15	12	PP3V0_TRISTAR	MAKE_BASE+TRUE	186	PAC_VDD_3V0	54
----	----	----	----	----	---------------	----------------	-----	-------------	----

POWER

26	17	15	14	13	12	10	4	3	PP1V8_SDRAM	MAKE_BASE+TRUE	187	PP_WL_BT_VDDIO_AP	52	
												PP_STOCKHOLM_IV8_S2R	53	55
												RFFE_VIO_S2R	54	

WLAN/BT HOUSE KEEPING

13	45_PMU_TO_WLAN_CLK32K	MAKE_BASE+TRUE	188	CLK32K_AP	31	52
13	PMU_TO_WLAN_REG_ON	MAKE_BASE+TRUE	189	WLAN_REG_ON	31	52
13	WLAN_TO_PMU_HOST_WAKE	MAKE_BASE+TRUE	190	HOST_WAKE_WLAN	31	52
13	PMU_TO_BT_REG_ON	MAKE_BASE+TRUE	191	BT_REG_ON	31	52
3	AP_TO_BT_WAKE	MAKE_BASE+TRUE	192	WAKE_BT	31	52
13	BT_TO_PMU_HOST_WAKE	MAKE_BASE+TRUE	193	HOST_WAKE_BT	52	

I9

3	AP_TO_WLAN_JTAG_SWCLK	MAKE_BASE+TRUE	194	WLAN_JTAG_SWCLK	31	52
3	AP_TO_WLAN_JTAG_SWDIO	MAKE_BASE+TRUE	195	WLAN_JTAG_SWDIO	31	52
13	WLAN_TO_PMU_PCIE_WAKE_L	MAKE_BASE+TRUE	196	WLAN_PCIE_WAKE_L	31	52
3	AP_TO_WLAN_DEVICE_WAKE	MAKE_BASE+TRUE	197	PCIE_DEV_WAKE	31	52
7	90_WLAN_TO_AP_PCIE1_RXDP_P	MAKE_BASE+TRUE	198	90_WLAN_PCIE_TDP	31	52
7	90_WLAN_TO_AP_PCIE1_RXDP_N	MAKE_BASE+TRUE	199	90_WLAN_PCIE_TDN	31	52
7	90_AP_TO_WLAN_PCIE1_TXDP_P	MAKE_BASE+TRUE	200	90_WLAN_PCIE_RDP	31	52
7	90_AP_TO_WLAN_PCIE1_TXDP_N	MAKE_BASE+TRUE	201	90_WLAN_PCIE_RDN	31	52
7	90_AP_TO_WLAN_PCIE1_REFCLK1_P	MAKE_BASE+TRUE	202	90_WLAN_PCIE_REFCLK_P	52	
7	90_AP_TO_WLAN_PCIE1_REFCLK1_N	MAKE_BASE+TRUE	203	90_WLAN_PCIE_REFCLK_N	52	
7	WLAN_TO_AP_PCIE1_CLKREQ_L	MAKE_BASE+TRUE	204	WLAN_PCIE_CLKREQ_L	31	52
7	AP_TO_WLAN_PCIE1_RST_L	MAKE_BASE+TRUE	205	WLAN_PCIE_PERST_L	31	52

WLAN HSIC IPC

3	WLAN_TO_AP_UART4_RXD	MAKE_BASE+TRUE	206	WLAN_UART_TXD	31	52
3	AP_TO_WLAN_UART4_TXD	MAKE_BASE+TRUE	207	WLAN_UART_RXD	31	52
3	WLAN_TO_AP_UART4_CTS_L	MAKE_BASE+TRUE	208	WLAN_UART_RTS_L	31	52
3	AP_TO_WLAN_UART4_RTS_L	MAKE_BASE+TRUE	209	WLAN_UART_CTS_L	31	52

BT UART IPC

3	AP_TO_BT_UART1_RTS_L	MAKE_BASE+TRUE	210	BT_UART_CTS_L	52	
3	BT_TO_AP_UART1_CTS_L	MAKE_BASE+TRUE	211	BT_UART_RTS_L	52	
3	AP_TO_BT_UART1_TXD	MAKE_BASE+TRUE	212	BT_UART_RXD	31	52
3	BT_TO_AP_UART1_RXD	MAKE_BASE+TRUE	213	BT_UART_TXD	31	52

BT AUDIO PCM


3	45_AP_TO_BT_I2S1_BCLK	MAKE_BASE+TRUE	214	BT_PCM_CLK	52	
3	AP_TO_BT_I2S1_DOUT	MAKE_BASE+TRUE	215	BT_PCM_IN	52	
3	BT_TO_AP_I2S1_DIN	MAKE_BASE+TRUE	216	BT_PCM_OUT	52	
3	AP_TO_BT_I2S1_LRCLK	MAKE_BASE+TRUE	217	BT_PCM_SYNC	52	

OSCAR STATES

22	OSCAR_TO_RADIO_CONTEXT_A	MAKE_BASE+TRUE	218	OSCAR_CONTEXT_A	52	
22	OSCAR_TO_RADIO_CONTEXT_B	MAKE_BASE+TRUE	219	OSCAR_CONTEXT_B	52	

STOCKHOLM

3	STOCKHOLM_TO_AP_UART3_CTS_L	MAKE_BASE+TRUE	220	STOCKHOLM_RTS_L	31	53			
3	AP_TO_STOCKHOLM_UART3_RTS_L	MAKE_BASE+TRUE	221	STOCKHOLM_CTS_L	31	53			
3	STOCKHOLM_TO_AP_UART3_RXD	MAKE_BASE+TRUE	222	STOCKHOLM_UART_TXD	31	53			
3	AP_TO_STOCKHOLM_UART3_TXD	MAKE_BASE+TRUE	223	STOCKHOLM_UART_RXD	31	53			
3	AP_TO_STOCKHOLM_DWLD_REQ	MAKE_BASE+TRUE	224	STOCKHOLM_FW_DWLD_REQ	53				
15	STOCKHOLM_TO_PMU_HOST_WAKE	MAKE_BASE+TRUE	225	STOCKHOLM_HOST_WAKE	31	53			
3	AP_TO_STOCKHOLM_EN	MAKE_BASE+TRUE	226	STOCKHOLM_ENABLE	53				
30	26	17	15	12	PP3V0_TRISTAR	MAKE_BASE+TRUE	227	STOCKHOLM_VDD_MUX_3V0	55
3	AP_TO_STOCKHOLM_SIM_SEL	MAKE_BASE+TRUE	228	STOCKHOLM_SIM_SEL	55				
25	AP_TO_STOCKHOLM_ANT	MAKE_BASE+TRUE	229	STOCKHOLM_ANT	53				

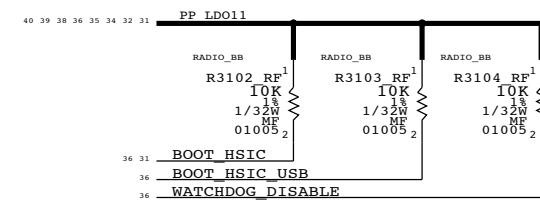
PAGE TITLE			
CELL:ALIASES			
 Apple Inc.	DRAWING NUMBER	051-0517	SIZE
	REVISION	6.0.0	D
NOTICE OF PROPRIETARY PROPERTY:		BRANCH	
THE INFORMATION CONTAINED HEREIN IS THE PROPRIETARY PROPERTY OF APPLE INC. THE POSSESSOR AGREES TO THE FOLLOWING:		PAGE	
I TO MAINTAIN THIS DOCUMENT IN CONFIDENCE		30 OF 55	
II NOT TO REPRODUCE OR COPY IT		SHEET	
III NOT TO REVEAL OR PUBLISH IT IN WHOLE OR PART		30 OF 55	
IV ALL RIGHTS RESERVED			

AP INTERFACE & DEBUG CONNECTORS

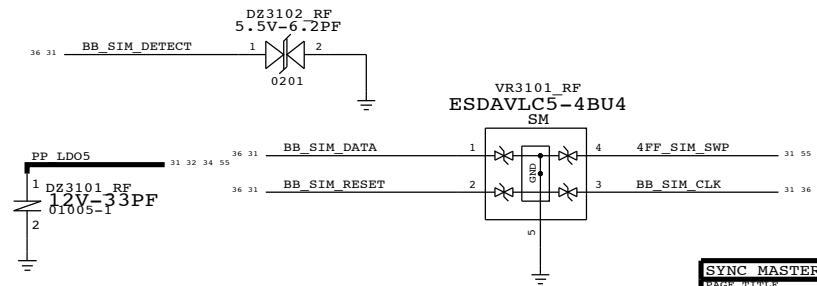
PROBE POINTS

PP3105 RF P2MM-NSM SM 1 CLK32K AP 30 52 EP WIFI_BT	PP3121 RF P2MM-NSM SM 1 STOCKHOLM_HOST_WAKE 30 53 EP RADIO_STOCKHOLM	PP3115 RF P4MM-NSM SM 1 50_BB_HSIC_STROBE 30 35 EP SIM_DEBUG	PP3130 RF P4MM SM 1 BB_JTAG_RST_L 30 35 EP SIM_DEBUG	PP3141 RF P4MM SM 1 BB_UART_TXD 30 36 EP SIM_DEBUG	PP3170 RF P4MM SM 1 RFFE1_CLK 36 40 41 42 43 44 45 EP RF_DEBUG
PP3113 RF P4MM SM 1 BB_COEX_UART_RXD 36 52 EP WIFI_BT	PP3122 RF P4MM SM 1 BB_REQUEST_XO_CLK 33 53 EP SIM_DEBUG	PP3116 RF P4MM-NSM SM 1 50_BB_HSIC_DATA 30 35 EP SIM_DEBUG	PP3131 RF P4MM SM 1 BB_JTAG_TCK 30 35 EP SIM_DEBUG	PP3142 RF P4MM SM 1 BB_UART_RXD 30 36 EP SIM_DEBUG	PP3171 RF P4MM SM 1 RFFE1_DATA 36 40 41 42 43 44 45 EP RF_DEBUG
PP3114 RF P4MM SM 1 BB_COEX_UART_TXD 36 52 EP WIFI_BT	PP3123 RF P2MM-NSM SM 1 STOCKHOLM_UART_RXD 30 53 EP RADIO_STOCKHOLM	PP3101 RF P4MM SM 1 BB_DEBUG_ERROR 36 EP SIM_DEBUG	PP3132 RF P4MM SM 1 BB_JTAG_TMS 30 35 EP SIM_DEBUG	PP3143 RF P4MM SM 1 BB_UART_RTS_L 30 36 EP SIM_DEBUG	PP3172 RF P4MM SM 1 RFFE2_CLK 36 46 47 49 EP RF_DEBUG
PP3119 RF P2MM SM 1 BT_UART_TXD 30 52 EP WIFI_BT	PP3124 RF P2MM SM 1 STOCKHOLM_UART_TXD 30 53 EP RADIO_STOCKHOLM	PP3102 RF P4MM SM 1 RF_PMIC_RESET_L 30 33 EP SIM_DEBUG	PP3133 RF P4MM SM 1 BB_JTAG_TDO 30 35 EP SIM_DEBUG	PP3144 RF P4MM SM 1 BB_UART_CTS_L 30 36 EP SIM_DEBUG	PP3173 RF P4MM SM 1 RFFE2_DATA 36 46 47 49 EP RF_DEBUG
PP3120 RF P2MM-NSM SM 1 BT_UART_RXD 30 52 EP WIFI_BT	PP3125 RF P2MM-NSM SM 1 STOCKHOLM_CTS_L 30 53 EP RADIO_STOCKHOLM	PP3103 RF P4MM SM 1 PS_HOLD_PMIC 33 EP SIM_DEBUG	PP3134 RF P4MM SM 1 BB_JTAG_TDI 30 35 EP SIM_DEBUG	PP3145 RF P4MM SM 1 BB_HOST_RDY 30 36 EP SIM_DEBUG	PP3175 RF P4MM SM 1 BB_I2S_WS 30 36 EP RF_DEBUG
PP3152 RF P2MM SM 1 WAKE_BT 30 52 EP WIFI_BT	PP3126 RF P2MM-NSM SM 1 STOCKHOLM_RTS_L 30 53 EP RADIO_STOCKHOLM	PP3127 RF P4MM SM 1 PMIC_RESOUT_L 33 35 EP SIM_DEBUG	PP3135 RF P4MM SM 1 BB_JTAG_TRST_L 30 35 EP SIM_DEBUG	PP3146 RF P4MM SM 1 BB_DEVICE_RDY 30 36 EP SIM_DEBUG	PP3176 RF P4MM SM 1 BB_I2S_RXD 30 36 EP RF_DEBUG
PP3153 RF P2MM SM 1 WLAN_REG_ON 30 52 EP WIFI_BT	PP3128 RF P4MM SM 1 PP_PN65_VCC_SIM 53 EP RADIO_STOCKHOLM	PP3104 RF P4MM SM 1 MDM_CLK 33 35 EP SIM_DEBUG	PP3136 RF P4MM SM 1 BB_DEBUG_STATUS 36 EP SIM_DEBUG	PP3147 RF P4MM SM 1 BB_GPS_SYNC 30 36 EP SIM_DEBUG	PP3177 RF P4MM SM 1 BB_I2S_TXD 30 36 EP RF_DEBUG
PP3154 RF P4MM SM 1 BT_REG_ON 30 52 EP WIFI_BT	PP3174 RF P4MM SM 1 STOCKHOLM_SIM_SWP 53 55 EP SIM_DEBUG	PP3109 RF P4MM SM 1 PP_LDO11 31 32 34 35 36 38 39 EP SIM_DEBUG	PP3137 RF P4MM SM 1 BB_CORE_DUMP 30 36 EP SIM_DEBUG	PP3148 RF P4MM SM 1 BB_WAKE_HOST_L 30 36 EP SIM_DEBUG	PP3178 RF P4MM SM 1 BB_OTHER_TXD 30 36 EP RF_DEBUG
PP3155 RF P2MM SM 1 HOST_WAKE_WLAN 30 52 EP WIFI_BT	PP3129 RF P4MM SM 1 REF_CLK_FROM_BB 33 53 EP SIM_DEBUG	PP3110 RF P4MM SM 1 RADIO_ON_L 30 33 EP SIM_DEBUG	PP3138 RF P4MM SM 1 BB_USB_VBUS 30 35 EP SIM_DEBUG	PP3149 RF P4MM SM 1 BB_RESET_DET_L 30 36 EP SIM_DEBUG	PP3179 RF P4MM SM 1 BB_OTHER_RXD 30 36 EP RF_DEBUG
PP3156 RF P2MM SM 1 WLAN_PCIE_WAKE_L 30 52 EP WIFI_BT	PP3160 RF P4MM SM 1 DSDS_SIM_CLK 35 55 EP SIM_DEBUG	PP3111 RF P4MM SM 1 SPMI_DATA 33 35 EP SIM_DEBUG	PP3139 RF P4MM SM 1 90_BB_USB_N 30 35 EP SIM_DEBUG	PP3150 RF P4MM SM 1 BB_RST_L 30 33 EP SIM_DEBUG	PP3182 RF P4MM SM 1 RFFE2_CLK_BUFFER 36 54 EP RF_DEBUG
PP3157 RF P2MM SM 1 WLAN_PCIE_PERST_L 30 52 EP WIFI_BT	PP3183 RF P4MM SM 1 DSDS_SIM_RESET 35 55 EP SIM_DEBUG	PP3112 RF P4MM SM 1 SPMI_CLK 33 35 EP SIM_DEBUG	PP3140 RF P4MM SM 1 90_BB_USB_P 30 35 EP SIM_DEBUG	PP3151 RF P4MM SM 1 BOOT_HSIC 31 36 EP SIM_DEBUG	PP3185 RF P4MM SM 1 RFFE2_DATA_BUFFER 36 54 EP RF_DEBUG
PP3158 RF P2MM SM 1 WLAN_PCIE_CLKREQ_L 30 52 EP WIFI_BT	PP3184 RF P4MM SM 1 DSDS_SIM_DATA 35 55 EP SIM_DEBUG				
PP3159 RF P4MM SM 1 PCIE_DEV_WAKE 30 52 EP WIFI_BT	PP3188 RF P4MM SM 1 DSDS_SIM_DETECT 35 EP SIM_DEBUG				
PP3160 RF P2MM SM 1 WLAN_UART_RTS_L 30 52 EP WIFI_BT	PP3187 RF P4MM SM 1 PP_LDO6 32 34 55 EP SIM_DEBUG				
PP3161 RF P2MM SM 1 WLAN_UART_CTS_L 30 52 EP WIFI_BT	PP3188 RF P4MM SM 1 DSDS_SIM_SWP 55 EP SIM_DEBUG				
PP3162 RF P2MM SM 1 WLAN_UART_RXD 30 52 EP WIFI_BT	PP3189 RF P4MM SM 1 DSDS_SIM_DATA_R 55 EP SIM_DEBUG				
PP3163 RF P2MM SM 1 WLAN_UART_TXD 30 52 EP WIFI_BT					
PP3190 RF P2MM SM 1 WLAN_JTAG_SWCLK 30 52 EP WIFI_BT	PP 3178 RF P2MM-NSM SM 1 BB_SIM_RESET 31 36 EP				
PP3191 RF P2MM SM 1 WLAN_JTAG_SWDIO 30 52 EP WIFI_BT	PP 3179 RF P2MM-NSM SM 1 BB_SIM_CLK 31 36 EP				
	PP 3180 RF P2MM-NSM SM 1 BB_SIM_DATA 31 36 EP				
	PP 3183 RF P2MM-NSM SM 1 BB_SIM_DETECT 31 36 EP				
	PP 3184 RF P2MM-NSM SM 1 PP_LDO5 31 32 34 55 EP				

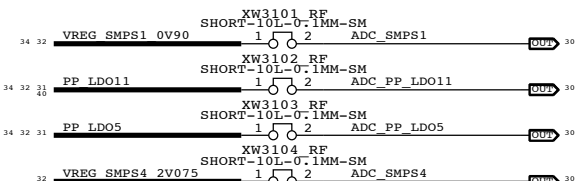
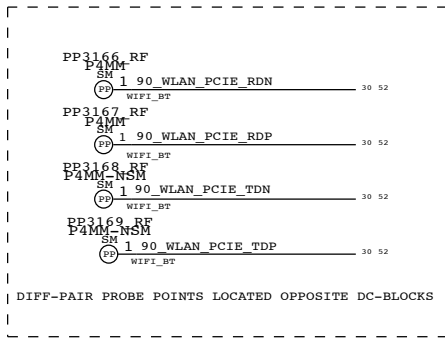
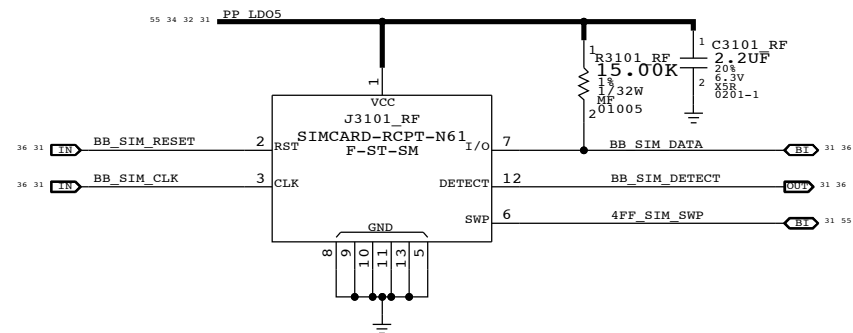
PART NUMBER	ALTERNATE FOR PART NUMBER	BOM OPTION	REF DES	COMMENTS:
197S0565	197S0593	ALTERNATE	Y3301_RF	KDS 19.2MHZ XTAL
197S0598	197S0593	ALTERNATE	Y3301_RF	AVX 19.2MHZ XTAL
138S00005	138S00003	ALTERNATE	C3216_RF	15UF CAPACITOR
138S0739	138S0706	ALTERNATE	C4207_RF	1.0UF CAPACITOR
138S0945	138S0706	ALTERNATE	C4207_RF	1.0UF CAPACITOR
138S1103	138S0719	ALTERNATE	C4007_RF	4.7UF CAPACITOR
339S0231	339S0228	ALTERNATE	U5201_RF	CORONA MODULE USI
339S0242	339S0228	ALTERNATE	U5201_RF	CORONA MODULE TDK
155S00024	155S0950	ALTERNATE	F_TRI_RF	TRIPLEXER BIN2



SIM CARD ESD PROTECTION



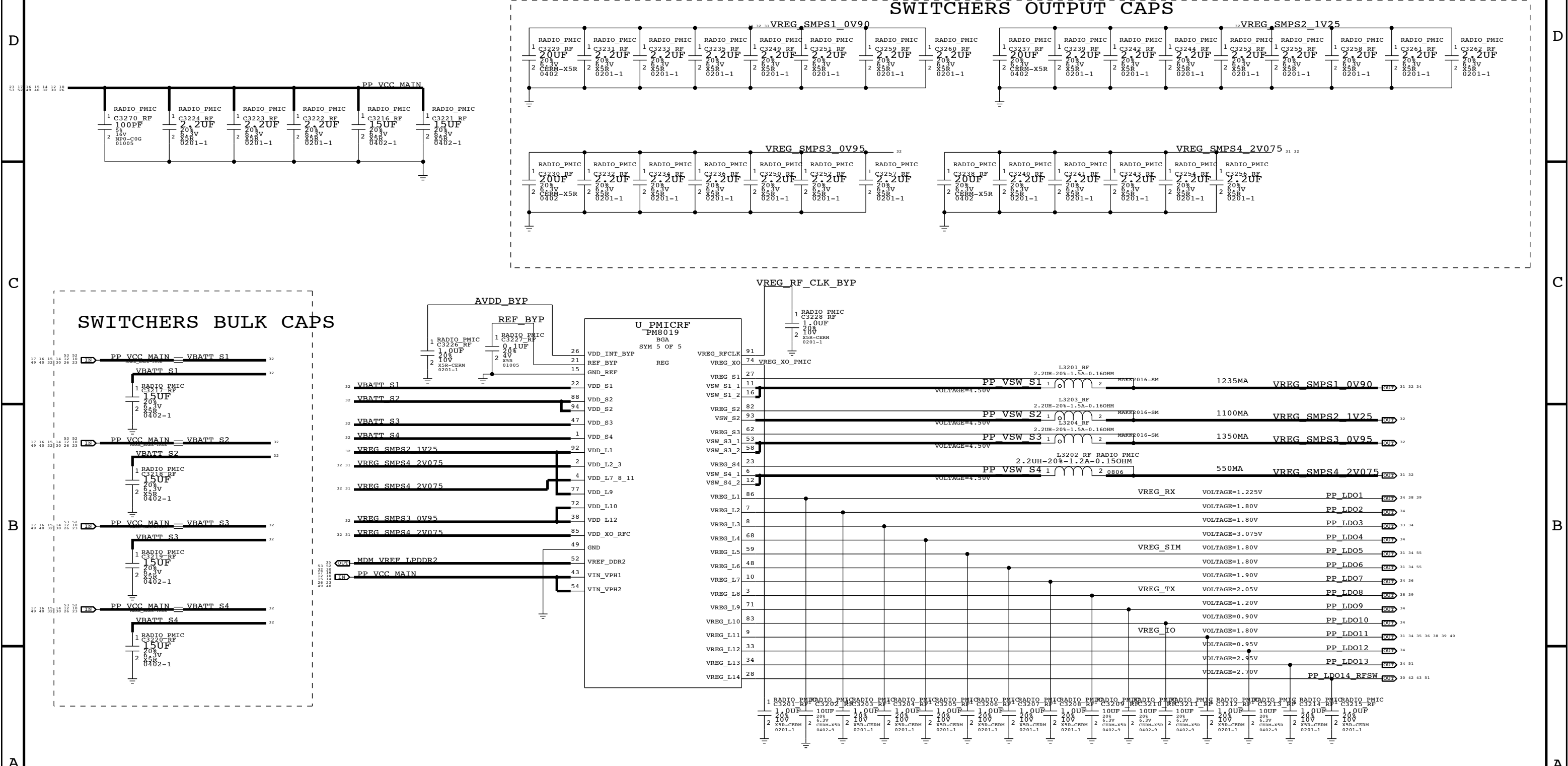
SIM CARD CONNECTOR



SYNC MASTER=N56 RADIO MLB		SYNC DATE=05/07/2014	
AP INTERFACE & DEBUG CONNECTORS			
Apple Inc.		DRAWING NUMBER	051-0517
		REVISION	6.0.0
NOTICE OF PROPRIETARY PROPERTY:		BRANCH	
THE INFORMATION CONTAINED HEREIN IS THE PROPRIETARY PROPERTY OF APPLE INC. THE POSSESSOR AGREES TO THE FOLLOWING:		PAGE	31 OF 55
I TO MAINTAIN THIS DOCUMENT IN CONFIDENCE		SHEET	31 OF 55
I I NOT TO REPRODUCE OR COPY IT			
I I NOT TO REVEAL OR PUBLISH IT IN WHOLE OR PART			
I I ALL RIGHTS RESERVED			

BASEBAND PMU (1 OF 2)

CONFIDENTIAL AND PROPRIETARY APPLE SYSTEM DESIGN. FOR REFERENCE PURPOSES ONLY - NOT A CHANGE REQUEST.



BASEBAND PMU (1 OF 2)

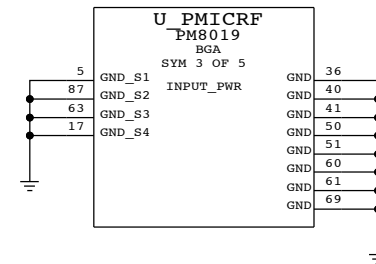
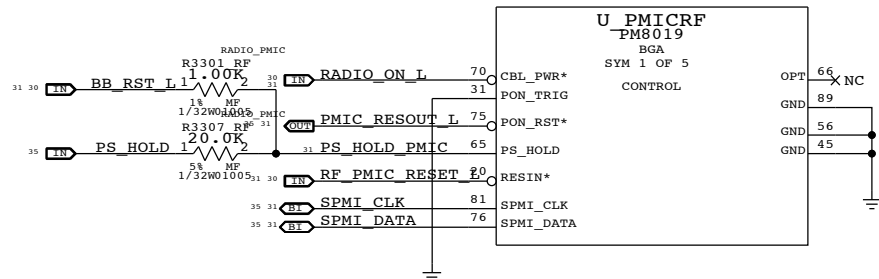
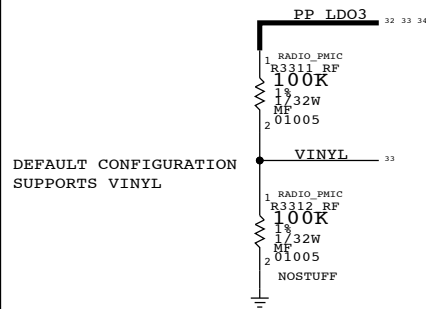
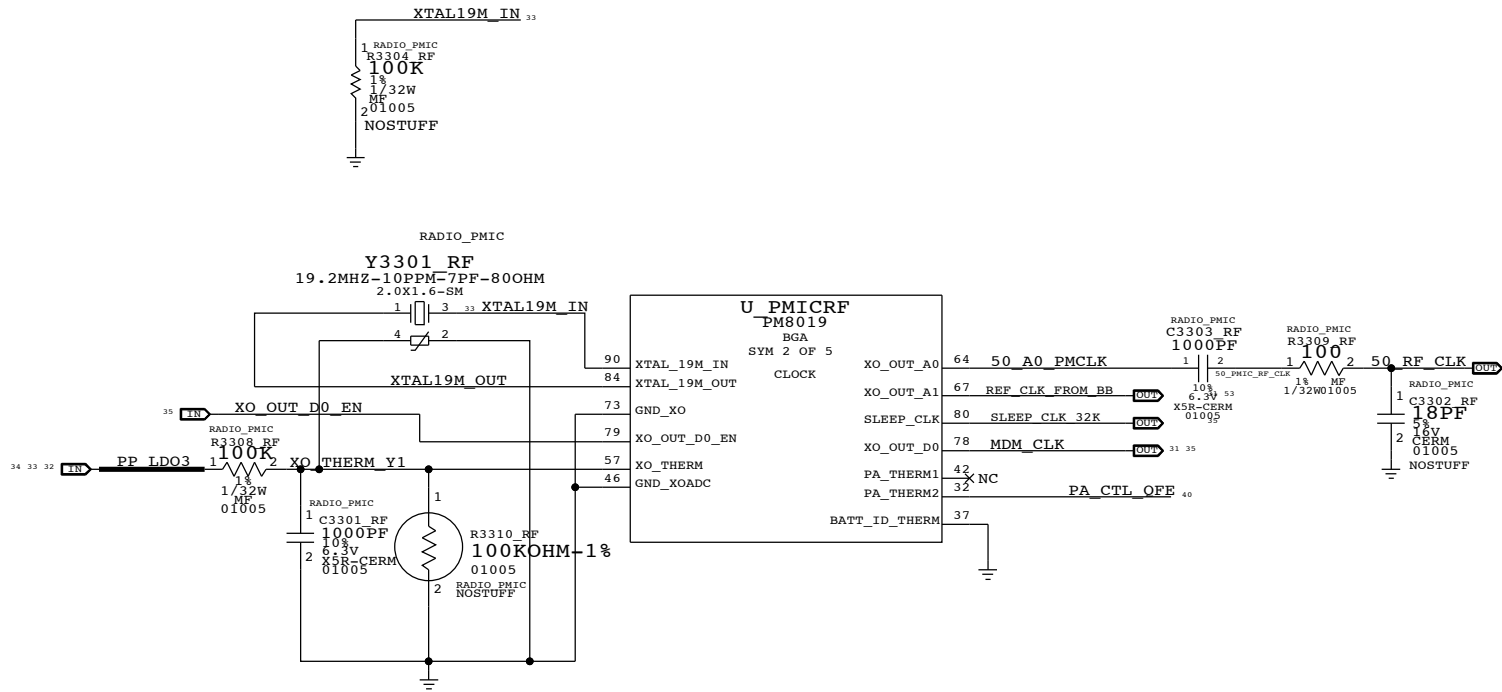
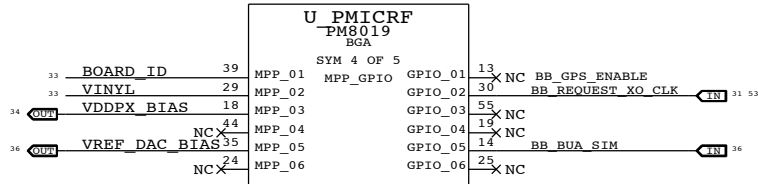
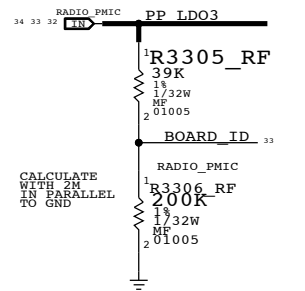
	Apple Inc.	DRAWING NUMBER	051-0517 D
NOTICE OF PROPRIETARY PROPERTY:		REVISION	6.0.0
THE INFORMATION CONTAINED HEREIN IS THE PROPRIETARY PROPERTY OF APPLE INC. THE POSSESSOR AGREES TO THE FOLLOWING:		PAGE	32 OF 55
I TO MAINTAIN THIS DOCUMENT IN CONFIDENCE		SHEET	32 OF 55
II NOT TO REPRODUCE OR COPY IT			
III NOT TO REVEAL OR PUBLISH IT IN WHOLE OR PART			
IV ALL RIGHTS RESERVED			

BASEBAND PMU (2 OF 2)

CONFIDENTIAL AND PROPRIETARY APPLE SYSTEM DESIGN. FOR REFERENCE PURPOSES ONLY - NOT A CHANGE REQUEST.

C401
R411
L400
U404

BOARD ID	REVISION
0.00V	N61 PROTO MLB1
0.50V	N61 DEV3
0.70V	N61 DEV4
0.90V	N61 PROTO MLB2
1.10V	N61/N56 PROTO1
1.30V	N61/N56 PROTO2
1.40V	N61/N56 EVT1
1.50V	N61/N56 EVT2 (CARRIER)
1.60V	N61/N56 DVT
1.70V	N61/N56 PVT

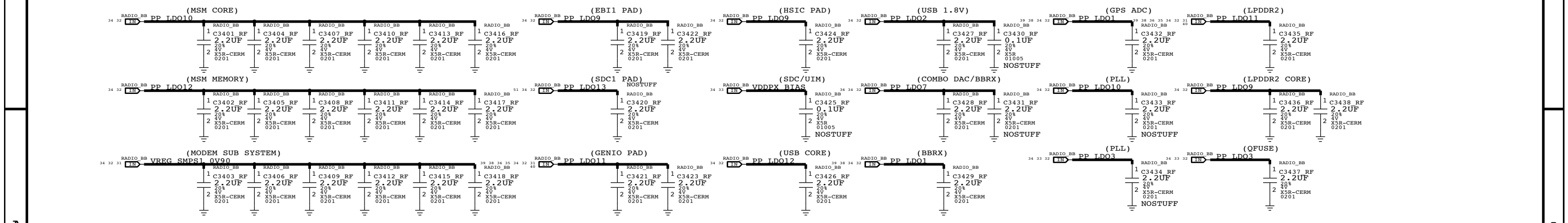
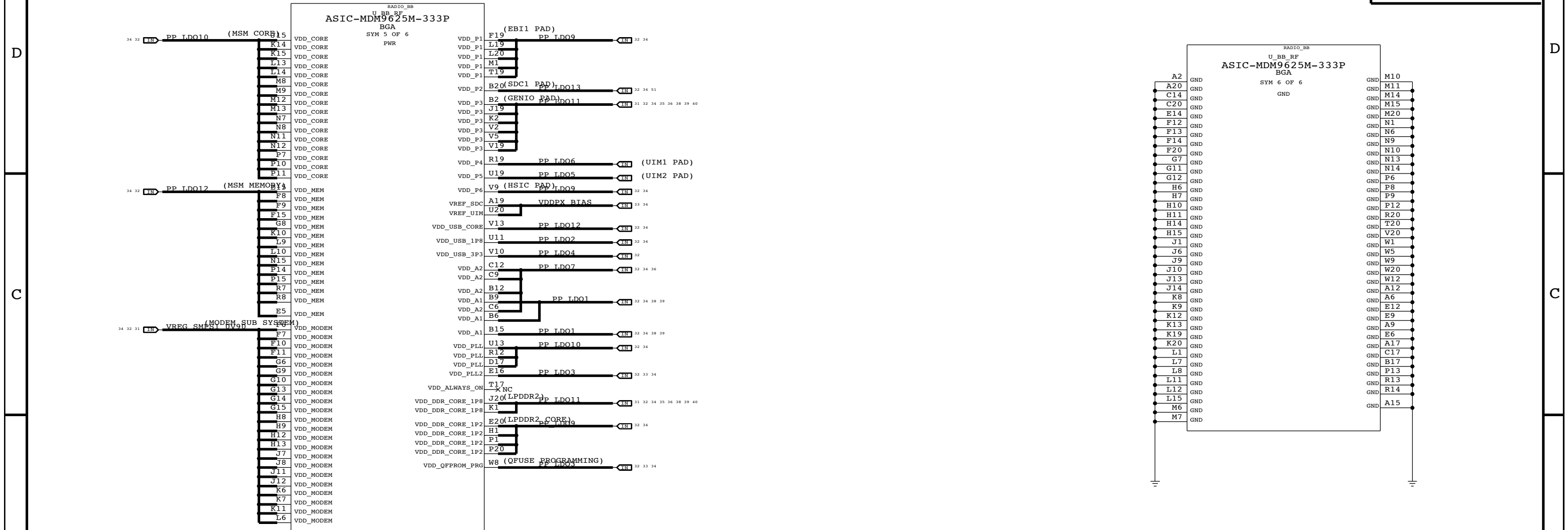



BASEBAND PMU (2 OF 2)	
Apple Inc.	DRAWING NUMBER 051-0517
	REVISION 6.0.0
NOTICE OF PROPRIETARY PROPERTY:	BRANCH
THE INFORMATION CONTAINED HEREIN IS THE PROPRIETARY PROPERTY OF APPLE INC. THE POSSESSOR AGREES TO THE FOLLOWING:	PAGE 33 OF 55
I TO MAINTAIN THIS DOCUMENT IN CONFIDENCE	SHEET 33 OF 55
II NOT TO REPRODUCE OR COPY IT	
III NOT TO REVEAL OR PUBLISH IT IN WHOLE OR PART	
IV ALL RIGHTS RESERVED	

BASEBAND (1 OF 3)

CONFIDENTIAL AND PROPRIETARY APPLE SYSTEM DESIGN. FOR REFERENCE PURPOSES ONLY - NOT A CHANGE REQUEST.

C538
R500
L500
U502

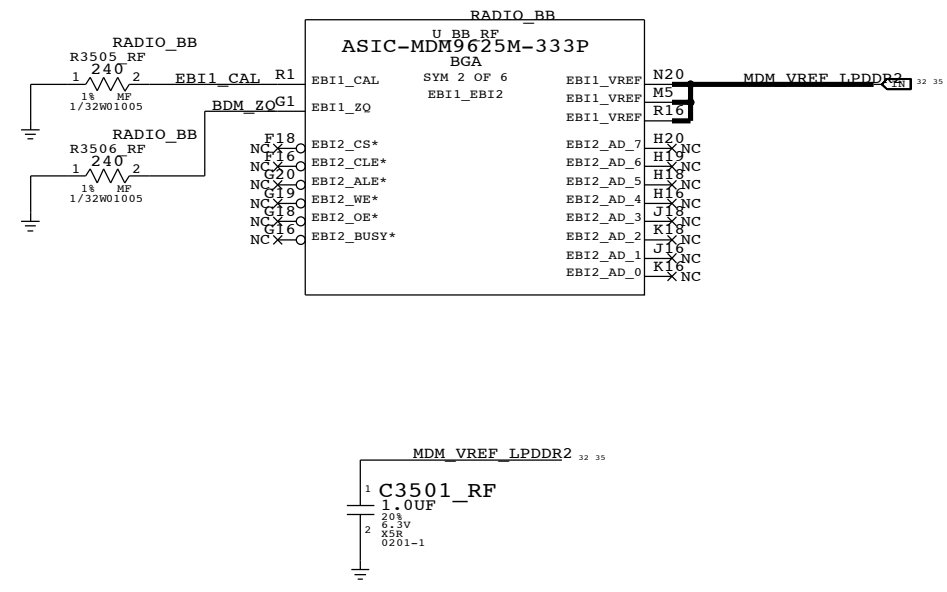
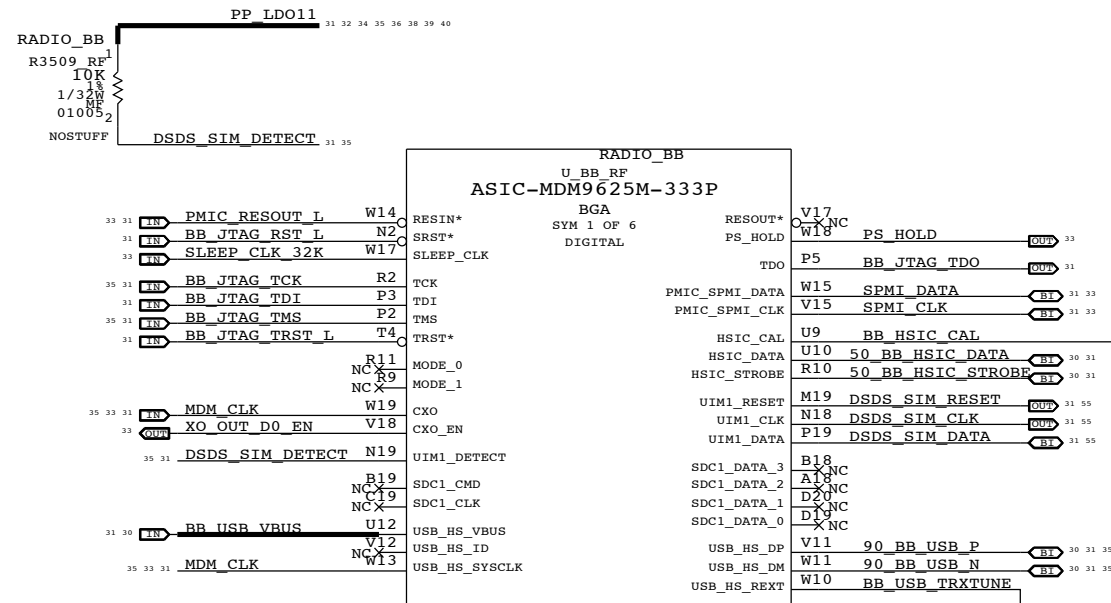
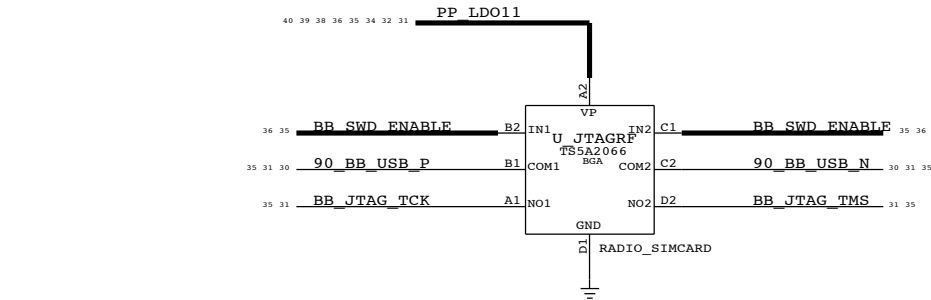


BASEBAND (1 OF 2)	
 Apple Inc.	DRAWING NUMBER 051-0517
REVISION 6.0.0	
NOTICE OF PROPRIETARY PROPERTY: THE INFORMATION CONTAINED HEREIN IS THE PROPRIETARY PROPERTY OF APPLE INC. THE POSSESSOR AGREES TO THE FOLLOWING: I TO MAINTAIN THIS DOCUMENT IN CONFIDENCE II NOT TO REPRODUCE OR COPY IT III NOT TO REVEAL OR PUBLISH IT IN WHOLE OR PART IV ALL RIGHTS RESERVED	
BRANCH 34 OF 55	SHEET 34 OF 55

BASEBAND (2 OF 3)

CONFIDENTIAL AND PROPRIETARY APPLE SYSTEM DESIGN. FOR REFERENCE PURPOSES ONLY - NOT A CHANGE REQUEST.

C600
R606
L600
U602

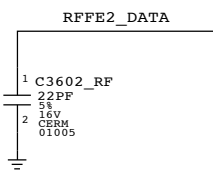
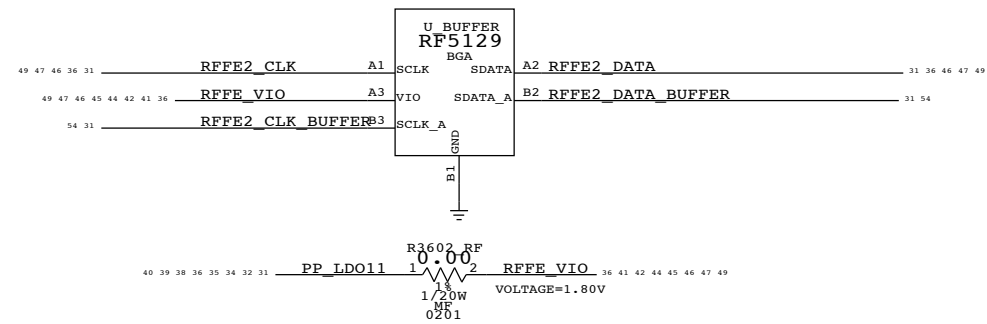
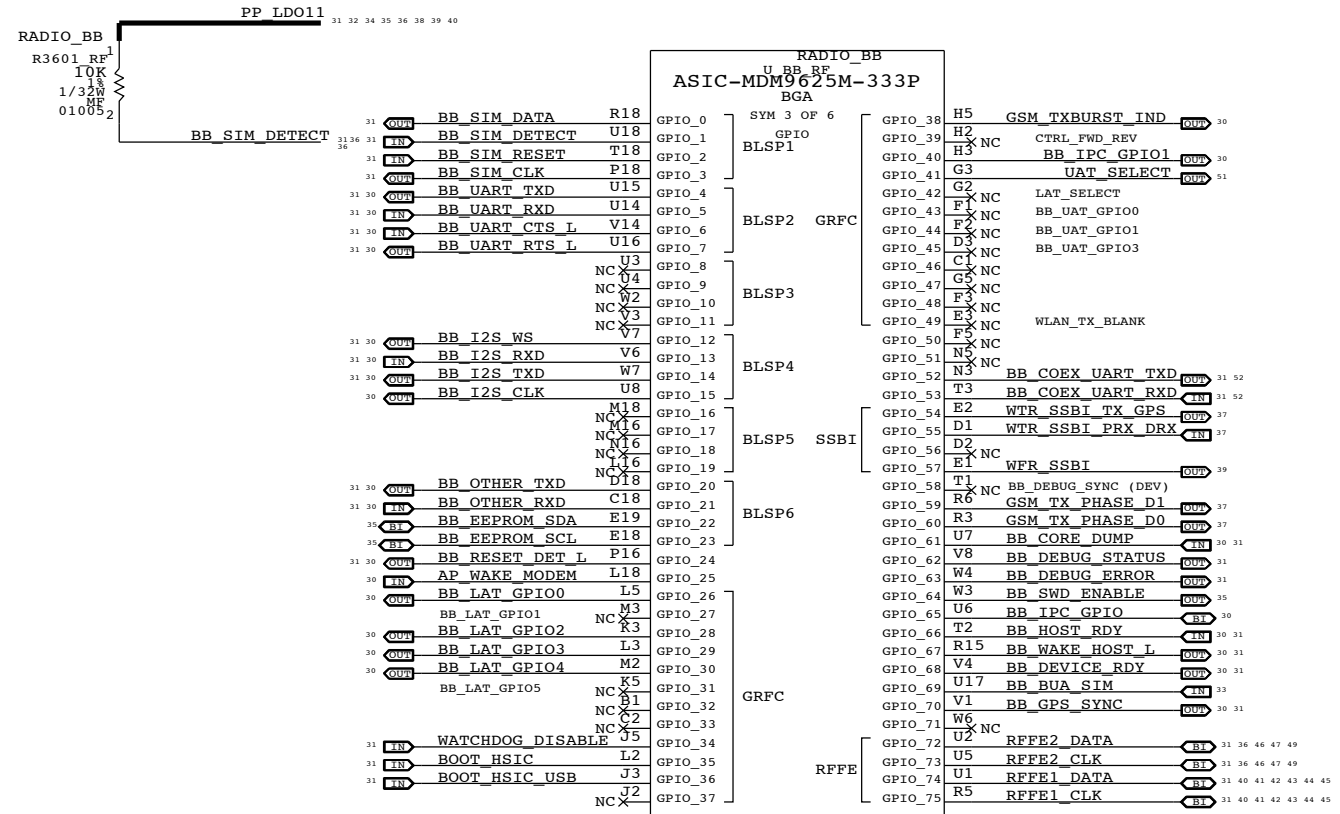
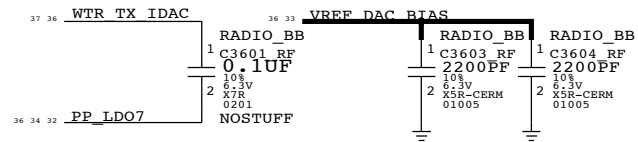
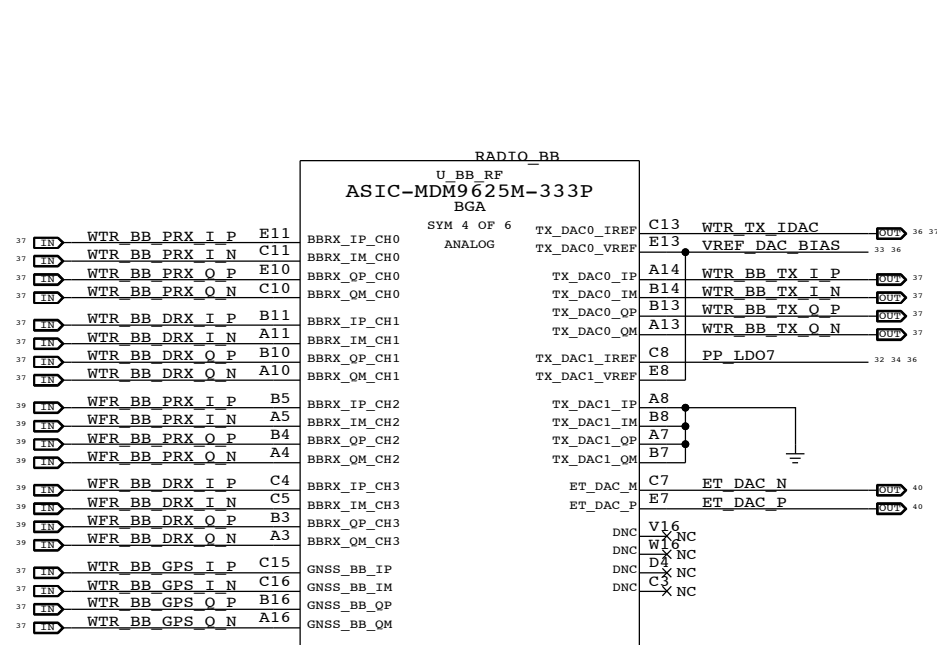


PAGE TITLE		BASEBAND (1 OF 2)	
Apple Inc.		DRAWING NUMBER	051-0517 D
		REVISION	6.0.0
NOTICE OF PROPRIETARY PROPERTY:		BRANCH	
THE INFORMATION CONTAINED HEREIN IS THE PROPRIETARY PROPERTY OF APPLE INC. THE POSSESSOR AGREES TO THE FOLLOWING:		PAGE	35 OF 55
I TO MAINTAIN THIS DOCUMENT IN CONFIDENCE		SHEET	35 OF 55
II NOT TO REPRODUCE OR COPY IT			
III NOT TO REVEAL OR PUBLISH IT IN WHOLE OR PART			
IV ALL RIGHTS RESERVED			

BASEBAND (3 OF 3)

CONFIDENTIAL AND PROPRIETARY APPLE SYSTEM DESIGN. FOR REFERENCE PURPOSES ONLY - NOT A CHANGE REQUEST.

C704
R700
L700
U702



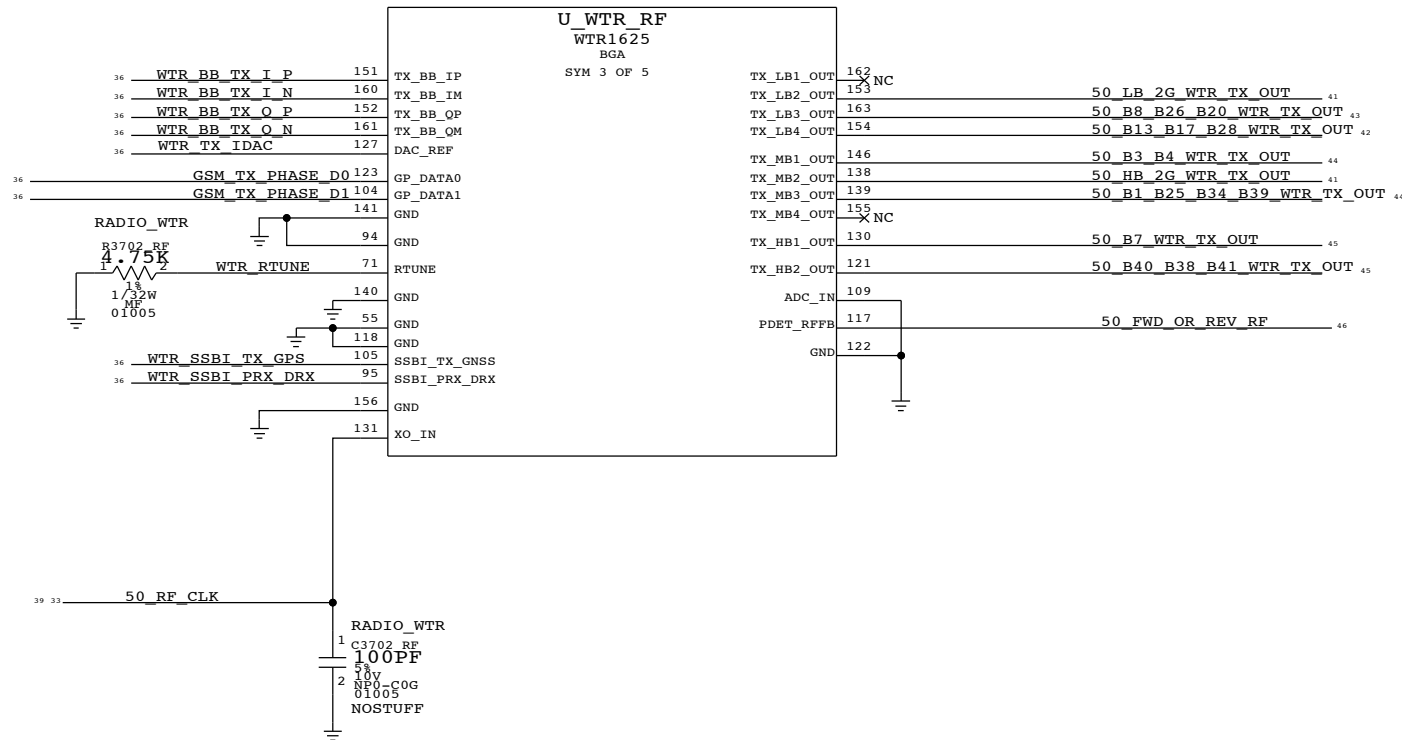
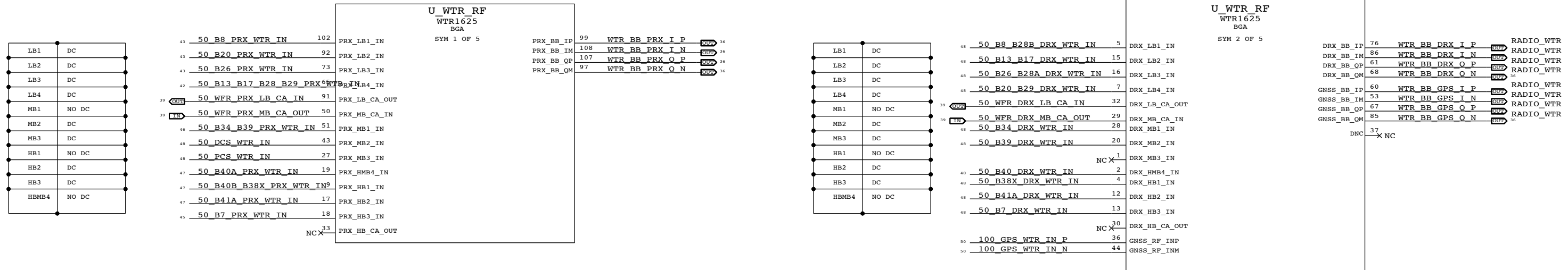
MOBILE DATA MODEM (2 OF 2)

Apple Inc.		DRAWING NUMBER	051-0517
		REVISION	6.0.0
NOTICE OF PROPRIETARY PROPERTY:		BRANCH	
THE INFORMATION CONTAINED HEREIN IS THE PROPRIETARY PROPERTY OF APPLE INC. THE POSSESSOR AGREES TO THE FOLLOWING:		PAGE	36 OF 55
I TO MAINTAIN THIS DOCUMENT IN CONFIDENCE		SHEET	36 OF 55
II NOT TO REPRODUCE OR COPY IT			
III NOT TO REVEAL OR PUBLISH IT IN WHOLE OR PART			
IV ALL RIGHTS RESERVED			

WTR TRANSCEIVER (1 OF 2)

CONFIDENTIAL AND PROPRIETARY APPLE SYSTEM DESIGN. FOR REFERENCE PURPOSES ONLY - NOT A CHANGE REQUEST.

C802
R802
L800
U803



RF_CLK IS SHARED BETWEEN WTR AND WFR. LENGTH DIFFERENCE BETWEEN THE TWO SHOULD BE < 5MM.

RF TRANSCEIVER (1 OF 3)

Apple Inc.

DRAWING NUMBER: 051-0517 D
REVISION: 6.0.0

NOTICE OF PROPRIETARY PROPERTY:
THE INFORMATION CONTAINED HEREIN IS THE PROPRIETARY PROPERTY OF APPLE INC. THE POSSESSOR AGREES TO THE FOLLOWING:
I TO MAINTAIN THIS DOCUMENT IN CONFIDENCE
II NOT TO REPRODUCE OR COPY IT
III NOT TO REVEAL OR PUBLISH IT IN WHOLE OR PART
IV ALL RIGHTS RESERVED

PAGE: 37 OF 55
SHEET: 37 OF 55

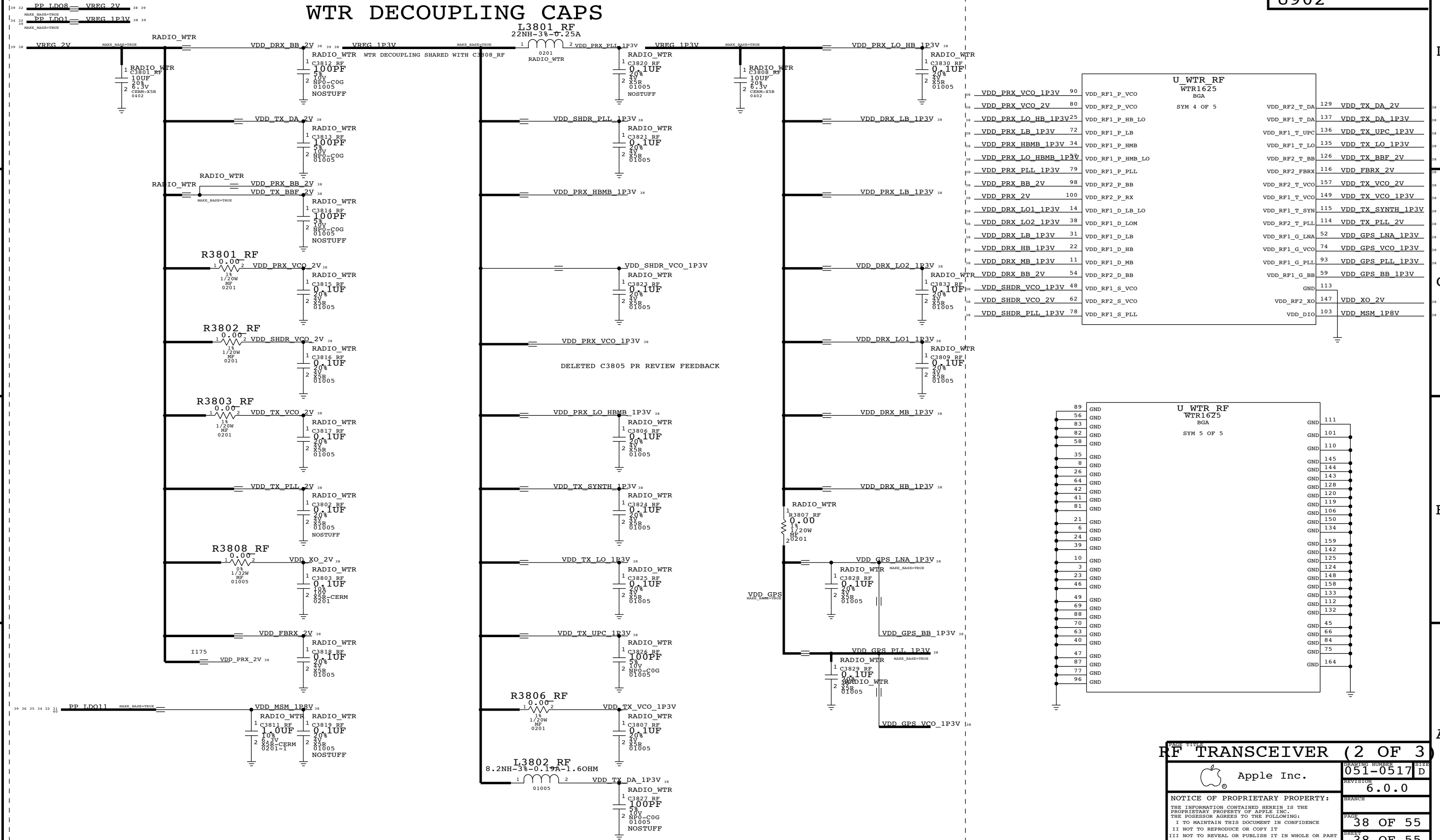
WTR TRANSCEIVER (2 OF 2)

CONFIDENTIAL AND PROPRIETARY APPLE SYSTEM DESIGN. FOR REFERENCE PURPOSES ONLY - NOT A CHANGE REQUEST.

C934
R926
L3802 RF
U902

WTR DECOUPLING CAPS

L3801 RF
22NH-3%-0.25A



RF TRANSCEIVER (2 OF 3)

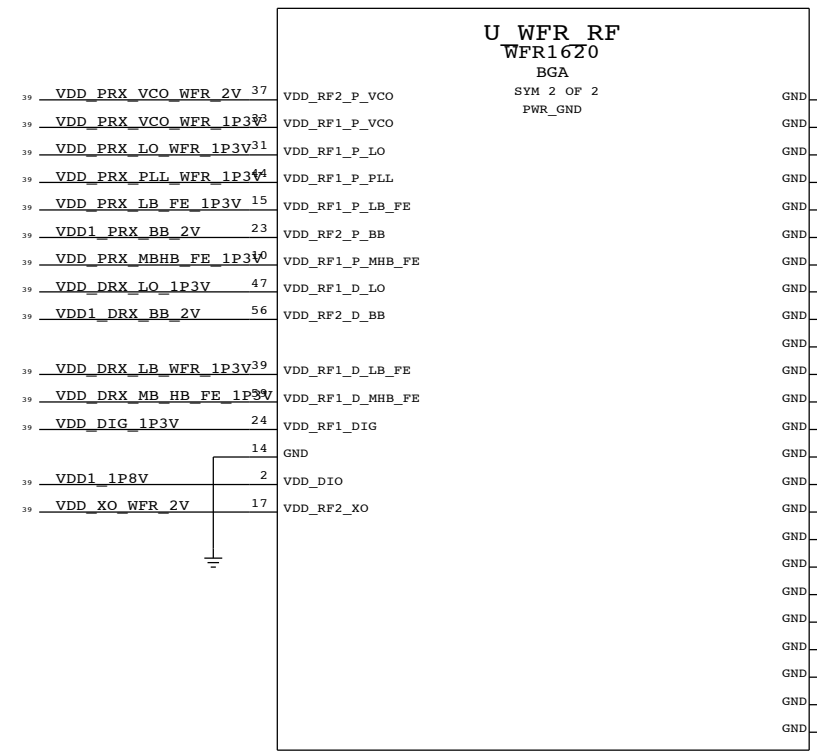
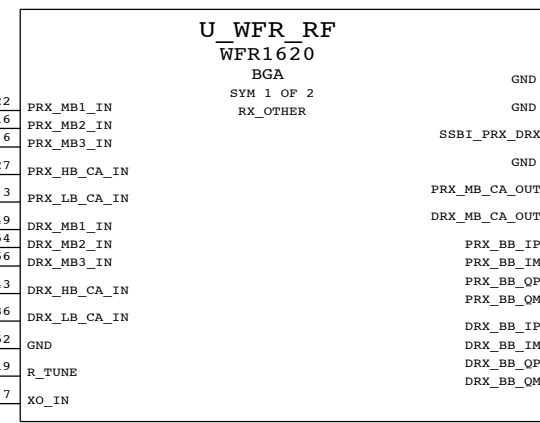
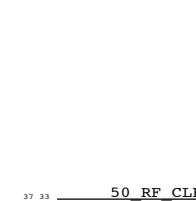
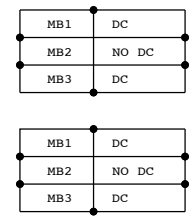
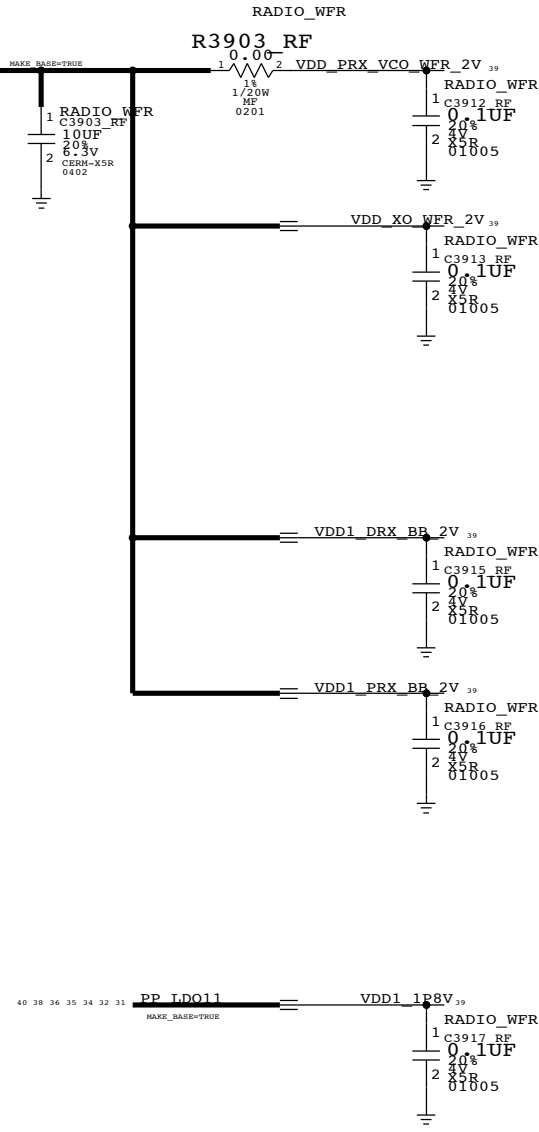
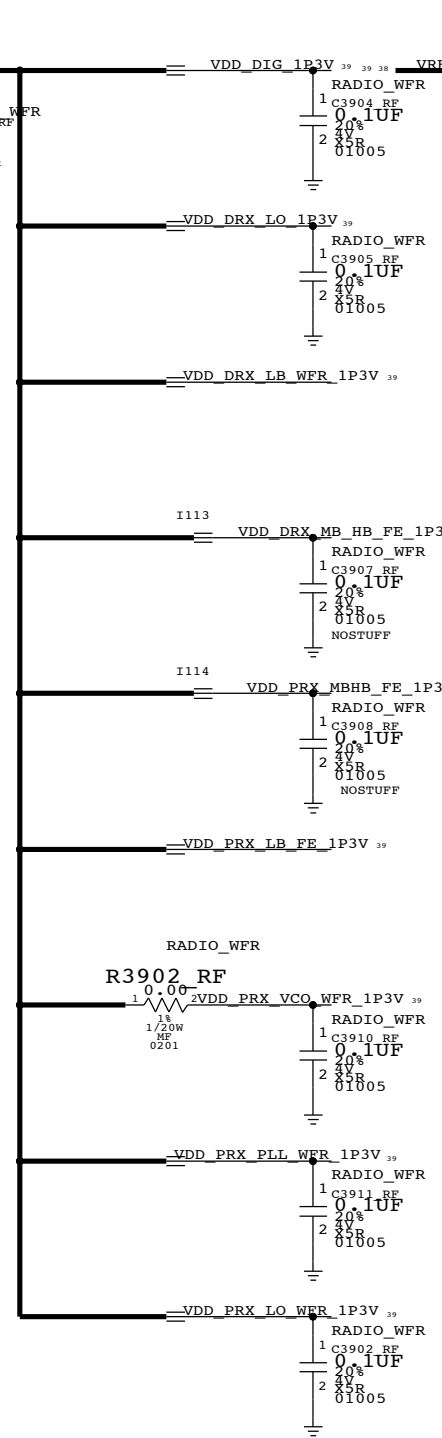
Apple Inc.	DRAWING NUMBER	051-0517 D
	REVISION	6.0.0
NOTICE OF PROPRIETARY PROPERTY: THE INFORMATION CONTAINED HEREIN IS THE PROPRIETARY PROPERTY OF APPLE INC. THE POSSESSOR AGREES TO THE FOLLOWING: I TO MAINTAIN THIS DOCUMENT IN CONFIDENCE II NOT TO REPRODUCE OR COPY IT III NOT TO REVEAL OR PUBLISH IT IN WHOLE OR PART IV ALL RIGHTS RESERVED	BRANCH	
	PAGE	38 OF 55
	SHEET	38 OF 55

WFR TRANSCEIVER

CONFIDENTIAL AND PROPRIETARY APPLE SYSTEM DESIGN. FOR REFERENCE PURPOSES ONLY - NOT A CHANGE REQUEST.

C1019
R1016
L1000
U1002

38 32 PP_IDQ08 VREG 2V 38 39
MAKE_BASE=TRUE
38 34 32 PP_IDQ1 VREG 1P3V 38 39
MAKE_BASE=TRUE
39 31 VREG 1P3V
MAKE_BASE=TRUE



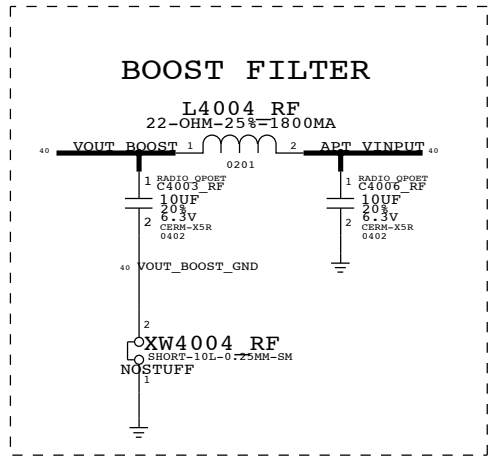
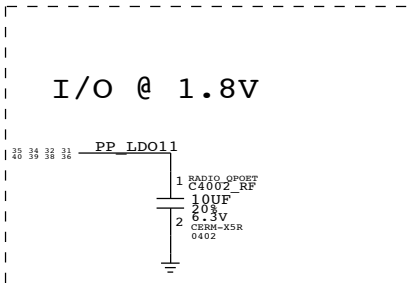
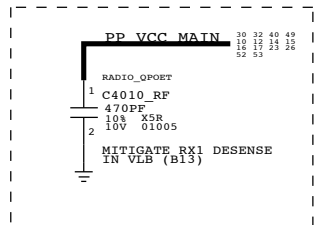
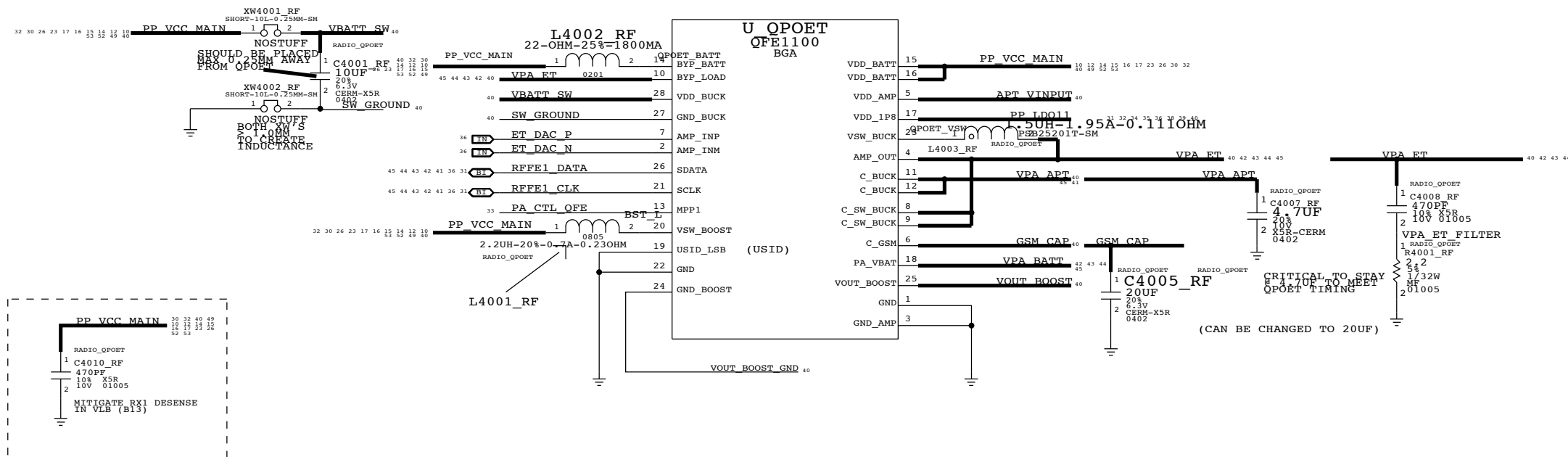
RF TRANSCEIVER (3 OF 3)

Apple Inc.	DRAWING NUMBER	051-0517	SIZE	D
	REVISION	6.0.0	BRANCH	
NOTICE OF PROPRIETARY PROPERTY: THE INFORMATION CONTAINED HEREIN IS THE PROPRIETARY PROPERTY OF APPLE INC. THE POSSESSOR AGREES TO THE FOLLOWING: I TO MAINTAIN THIS DOCUMENT IN CONFIDENCE II NOT TO REPRODUCE OR COPY IT III NOT TO REVEAL OR PUBLISH IT IN WHOLE OR PART IV ALL RIGHTS RESERVED		PAGE	39 OF 55	
		SHEET	39 OF 55	

QFE DCDC

CONFIDENTIAL AND PROPRIETARY APPLE SYSTEM DESIGN. FOR REFERENCE PURPOSES ONLY - NOT A CHANGE REQUEST.

C1110
R1102
L1104
U1101



PAGE TITLE		QFE DCDC	
Apple Inc.	DRAWING NUMBER	051-0517	SIZE
	REVISION	6.0.0	
NOTICE OF PROPRIETARY PROPERTY:		BRANCH	
THE INFORMATION CONTAINED HEREIN IS THE PROPRIETARY PROPERTY OF APPLE INC. THE POSSESSOR AGREES TO THE FOLLOWING:		PAGE	
I TO MAINTAIN THIS DOCUMENT IN CONFIDENCE		40 OF 55	
II NOT TO REPRODUCE OR COPY IT		SHEET	
III NOT TO REVEAL OR PUBLISH IT IN WHOLE OR PART		40 OF 55	
IV ALL RIGHTS RESERVED			

VERY LOW BAND PAD (B13, B17, B28)

CONFIDENTIAL AND PROPRIETARY APPLE SYSTEM DESIGN. FOR REFERENCE PURPOSES ONLY - NOT A CHANGE REQUEST.

C1332
R1300
L4215 RF
U1304

D

D

C

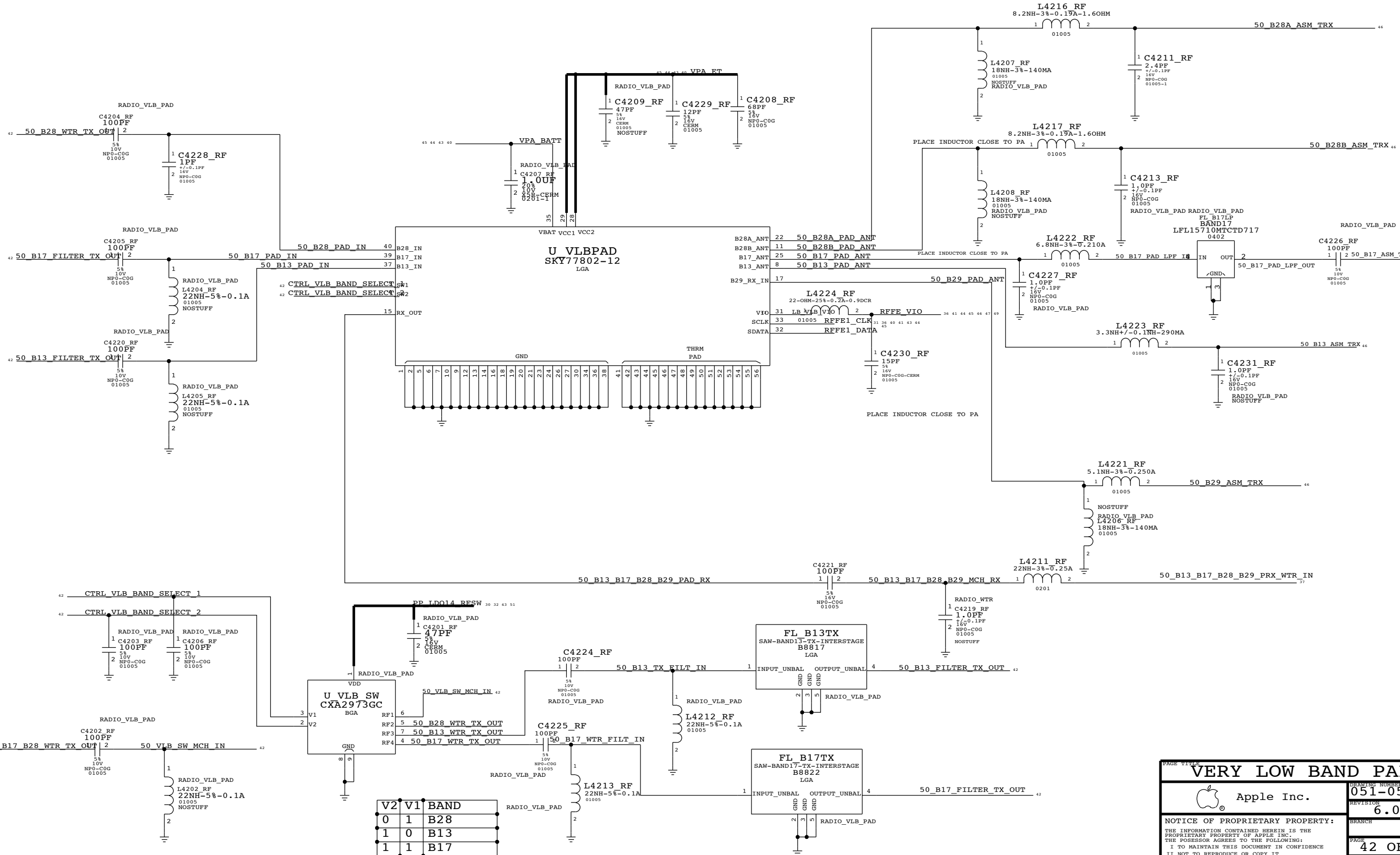
C

B

B

A

A



V2	V1	BAND
0	1	B28
1	0	B13
1	1	B17

VERY LOW BAND PAD	
Apple Inc.	DRAWING NUMBER 051-0517 SIZE D
REVISION 6.0.0	
BRANCH	
PAGE 42 OF 55	
SHEET 42 OF 55	
NOTICE OF PROPRIETARY PROPERTY: THE INFORMATION CONTAINED HEREIN IS THE PROPRIETARY PROPERTY OF APPLE INC. THE POSSESSOR AGREES TO THE FOLLOWING: I TO MAINTAIN THIS DOCUMENT IN CONFIDENCE II NOT TO REPRODUCE OR COPY IT III NOT TO REVEAL OR PUBLISH IT IN WHOLE OR PART IV ALL RIGHTS RESERVED	

8

7

6

5

4

3

2

1

LOW BAND PAD (B8, B26, B20)

CONFIDENTIAL AND PROPRIETARY APPLE SYSTEM DESIGN. FOR REFERENCE PURPOSES ONLY - NOT A CHANGE REQUEST

C4318 RF
R1400
L4322 RF
U1402

D

D

C

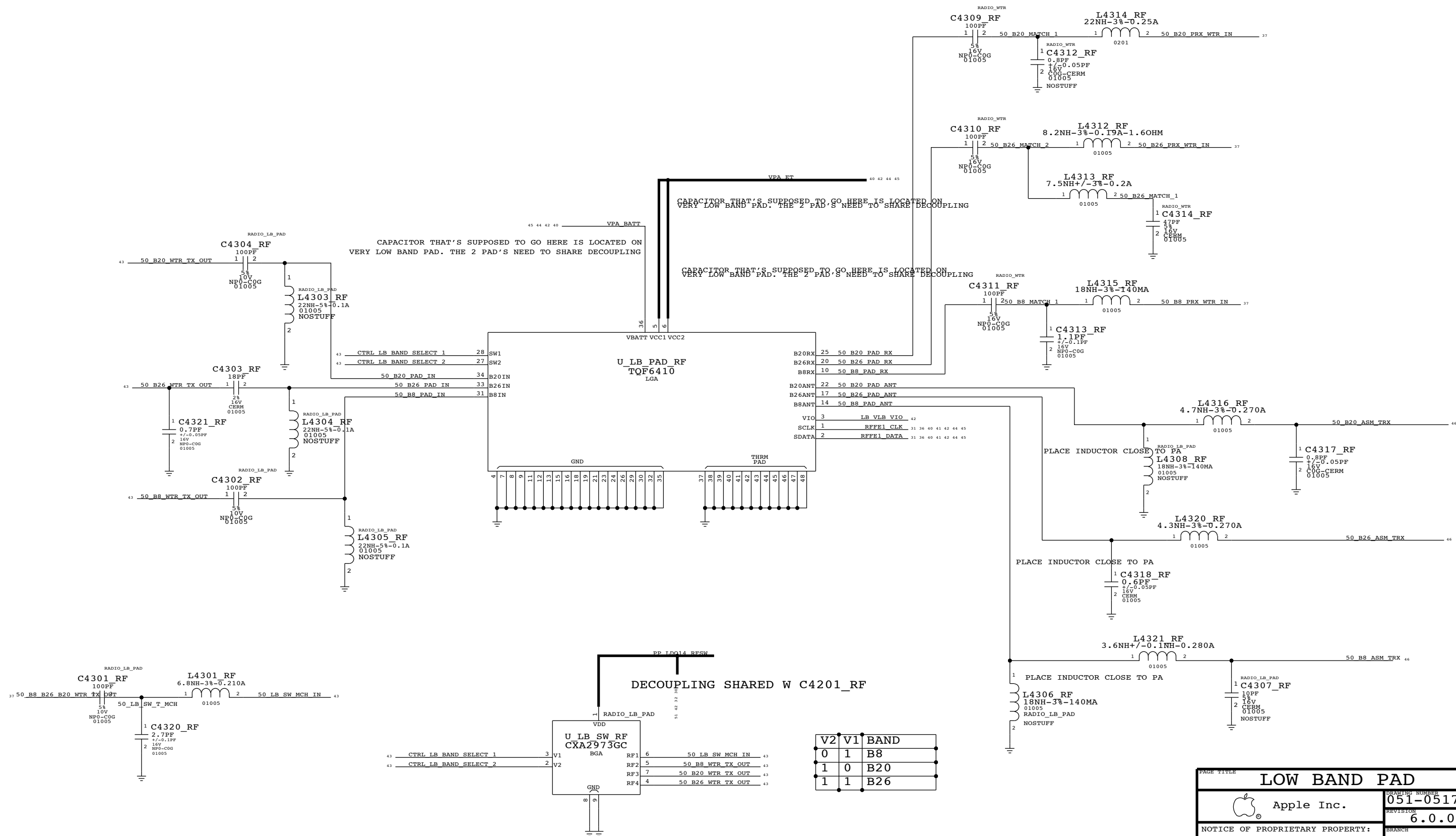
C

B

B

A

A



LOW BAND PAD

Apple Inc.

DRAWING NUMBER: 051-0517 SIZE: D

REVISION: 6.0.0

NOTICE OF PROPRIETARY PROPERTY:

THE INFORMATION CONTAINED HEREIN IS THE PROPRIETARY PROPERTY OF APPLE INC. THE POSSESSOR AGREES TO THE FOLLOWING:

I TO MAINTAIN THIS DOCUMENT IN CONFIDENCE

II NOT TO REPRODUCE OR COPY IT

III NOT TO REVEAL OR PUBLISH IT IN WHOLE OR PART

IV ALL RIGHTS RESERVED

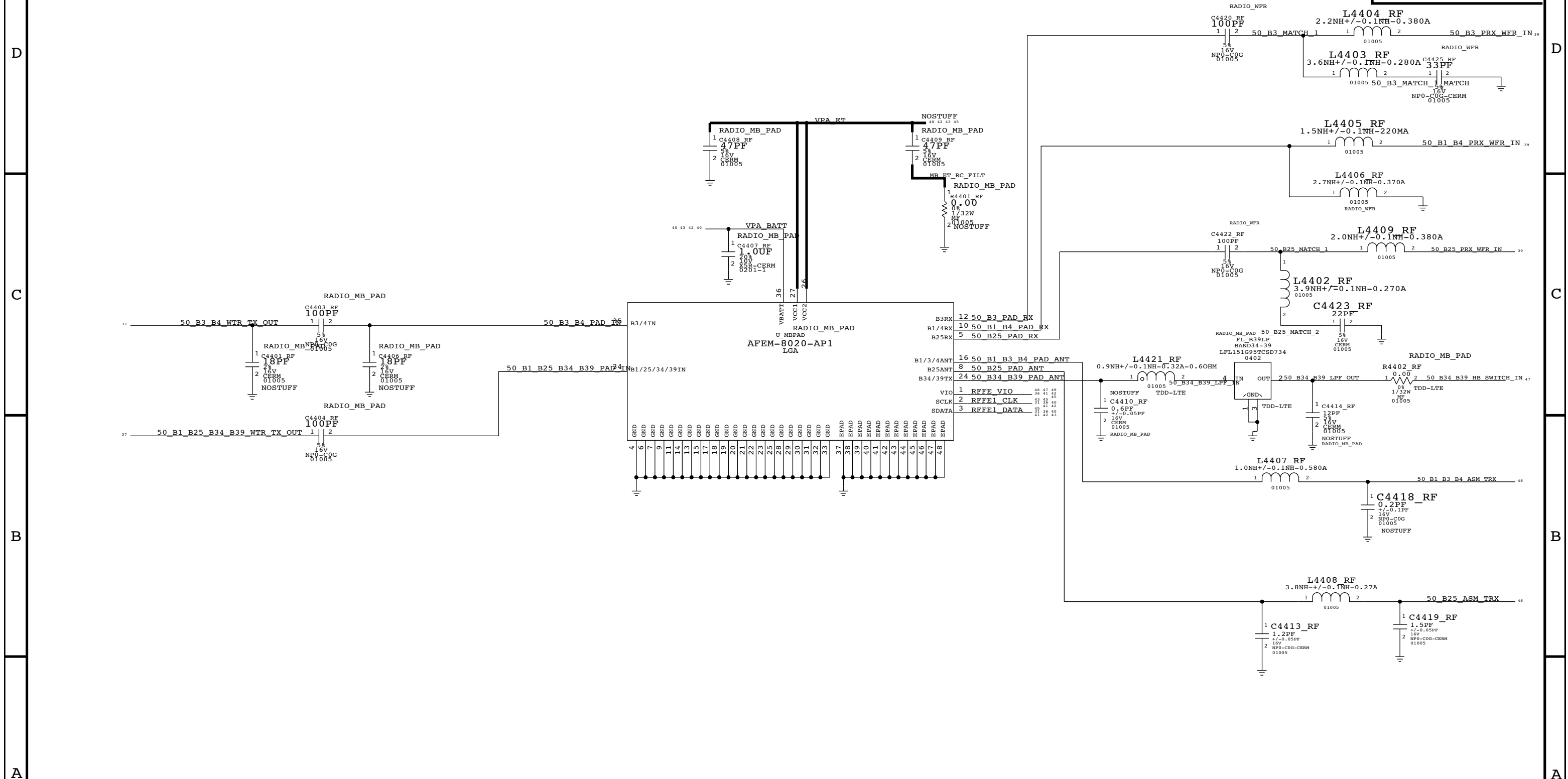
PAGE: 43 OF 55

SHEET: 43 OF 55

MID BAND PAD (B1, B25, B3, B4, B34, B39)

CONFIDENTIAL AND PROPRIETARY APPLE SYSTEM DESIGN. FOR REFERENCE PURPOSES ONLY - NOT A CHANGE REQUEST.

C4426 RF
R1500
L4409 RF
U1501

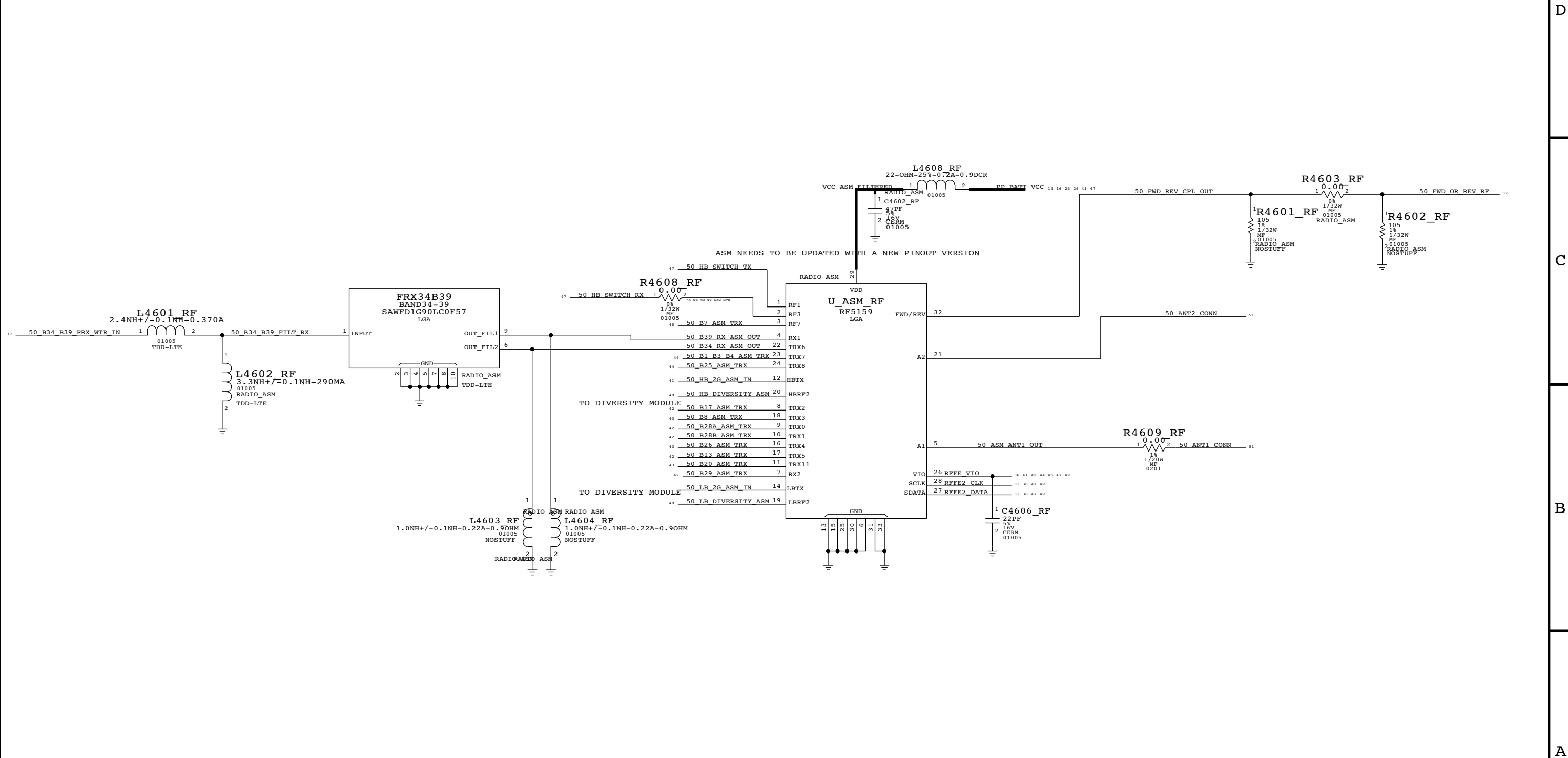


PAGE TITLE		MID BAND PAD	
Apple Inc.	DRAWING NUMBER	051-0517	SIZE
	REVISION	6.0.0	
NOTICE OF PROPRIETARY PROPERTY:		BRANCH	
THE INFORMATION CONTAINED HEREIN IS THE PROPRIETARY PROPERTY OF APPLE INC. THE POSSESSOR AGREES TO THE FOLLOWING:		PAGE	
I TO MAINTAIN THIS DOCUMENT IN CONFIDENCE		44 OF 55	
II NOT TO REPRODUCE OR COPY IT		SHEET	
III NOT TO REVEAL OR PUBLISH IT IN WHOLE OR PART		44 OF 55	
IV ALL RIGHTS RESERVED			

ANTENNA SWITCH

CONFIDENTIAL AND PROPRIETARY APPLE SYSTEM DESIGN. FOR REFERENCE PURPOSES ONLY - NOT A CHANGE REQUEST.

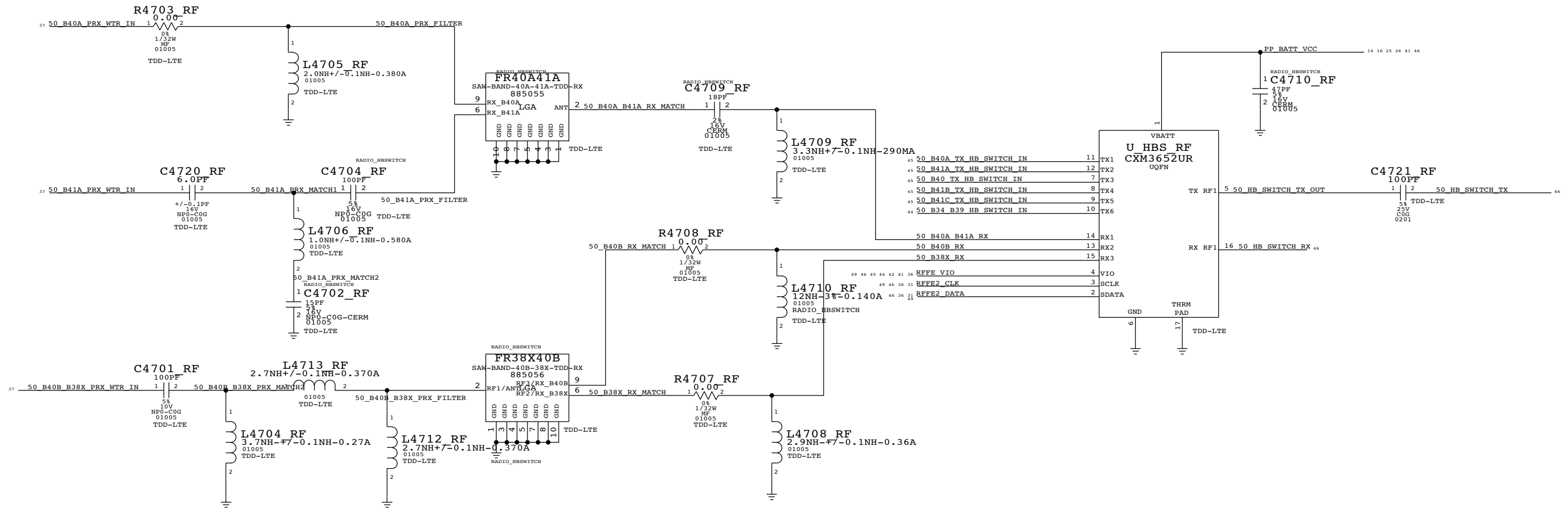
C1702
R1700
L4608 RF
U1702



PAGE TITLE		ANTENNA SWITCH	
Apple Inc.	DRAWING NUMBER	051-0517	SIZE
	REVISION	6.0.0	
NOTICE OF PROPRIETARY PROPERTY:		BRANCH	
THE INFORMATION CONTAINED HEREIN IS THE PROPRIETARY PROPERTY OF APPLE INC. THE POSSESSOR AGREES TO THE FOLLOWING:		PAGE	
I TO MAINTAIN THIS DOCUMENT IN CONFIDENCE		46 OF 55	
II NOT TO REPRODUCE OR COPY IT		SHEET	
III NOT TO REVEAL OR PUBLISH IT IN WHOLE OR PART		46 OF 55	
IV ALL RIGHTS RESERVED			

HIGH BAND SWITCH

CONFIDENTIAL AND PROPRIETARY APPLE SYSTEM DESIGN. FOR REFERENCE PURPOSES ONLY - NOT A CHANGE REQUEST.



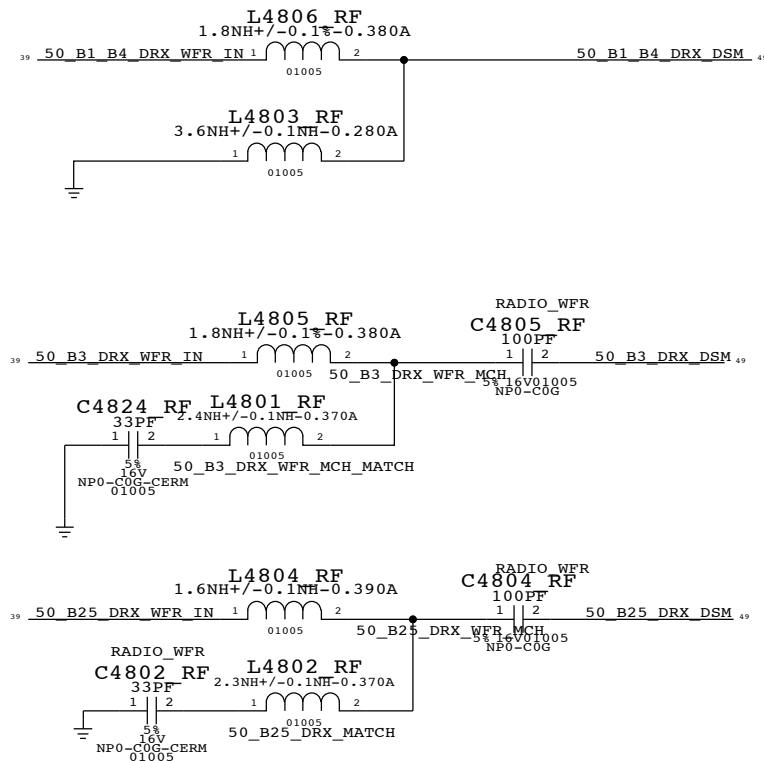
PAGE TITLE HIGH BAND SWITCH		
Apple Inc.	DRAWING NUMBER	051-0517
	REVISION	6.0.0
NOTICE OF PROPRIETARY PROPERTY: THE INFORMATION CONTAINED HEREIN IS THE PROPRIETARY PROPERTY OF APPLE, INC. THE POSSESSOR AGREES TO THE FOLLOWING: I TO MAINTAIN THIS DOCUMENT IN CONFIDENCE II NOT TO REPRODUCE OR COPY IT III NOT TO REVEAL OR PUBLISH IT IN WHOLE OR PART IV ALL RIGHTS RESERVED	BRANCH	
	PAGE	47 OF 55
	SHEET	47 OF 55

RX DIVERSITY (1)

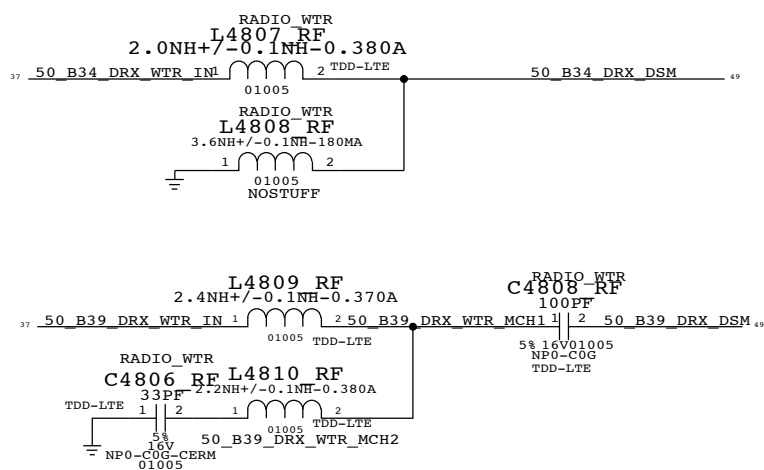
CONFIDENTIAL AND PROPRIETARY APPLE SYSTEM DESIGN. FOR REFERENCE PURPOSES ONLY - NOT A CHANGE REQUEST.

C4826 RF
R1800
L1829
U1801

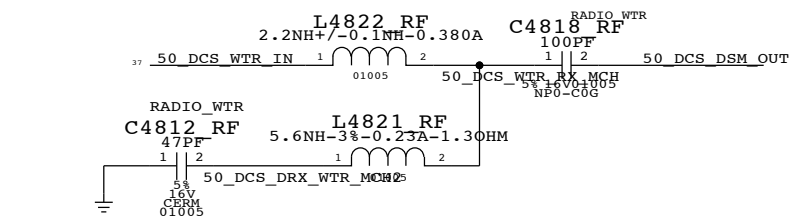
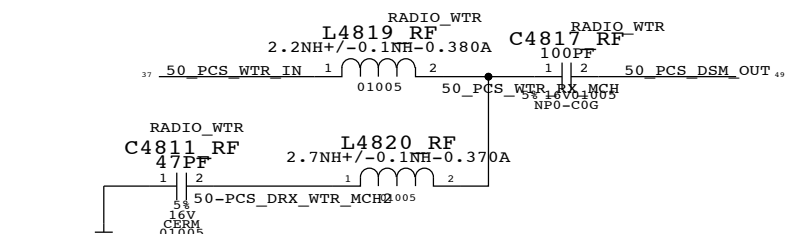
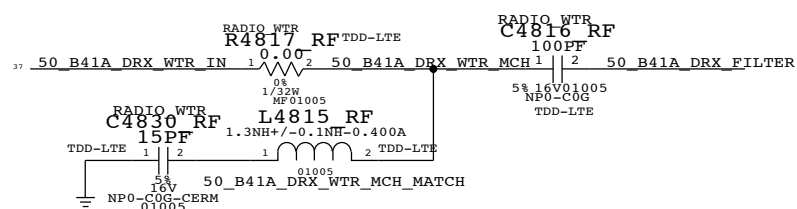
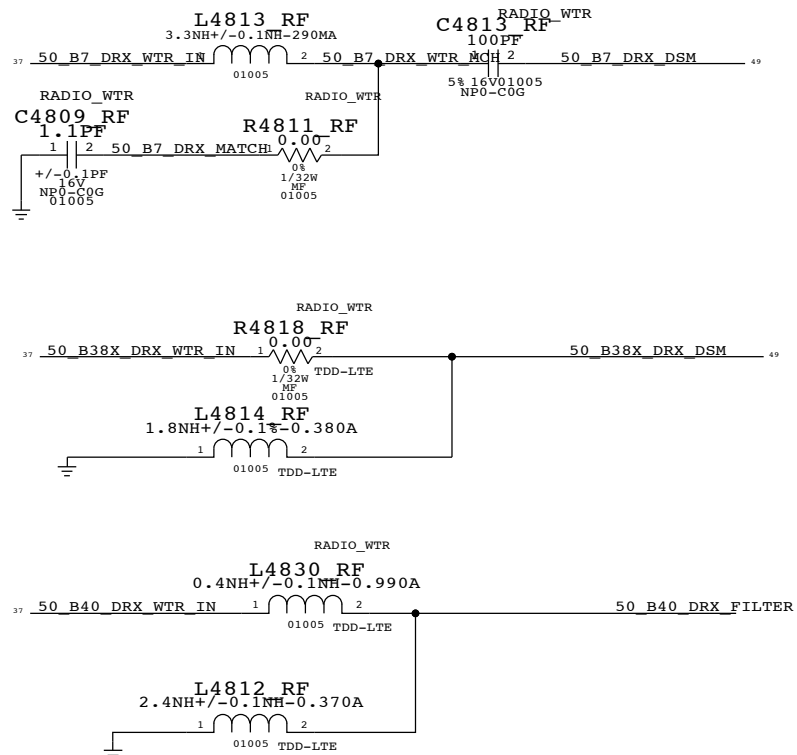
MIDBAND MIDBAND DIVERSITY - WFR



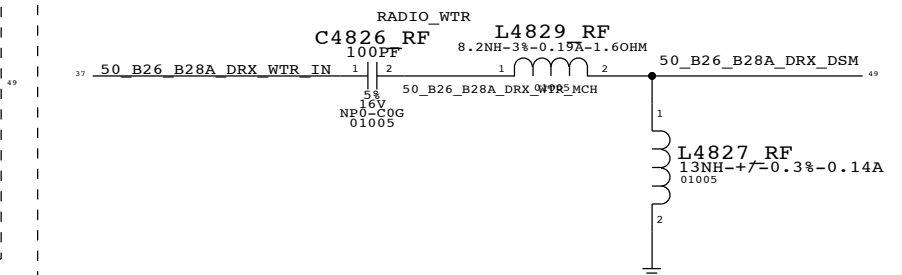
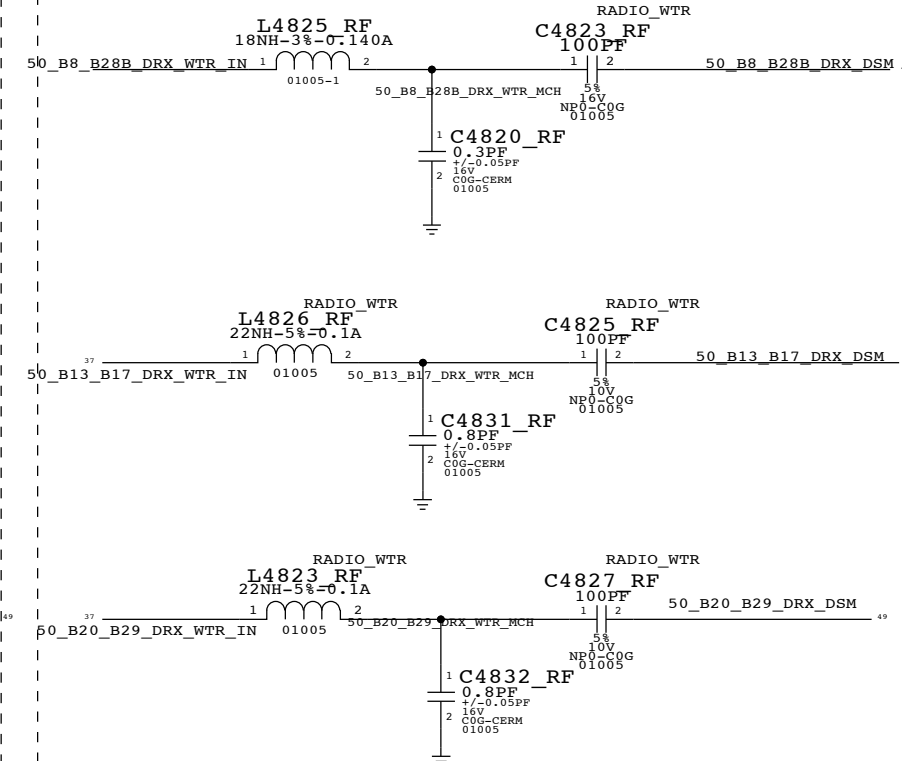
MIDBAND DIVERSITY - WTR



HIGHBAND DIVERSITY - WTR



LOWBAND DIVERSITY - WTR

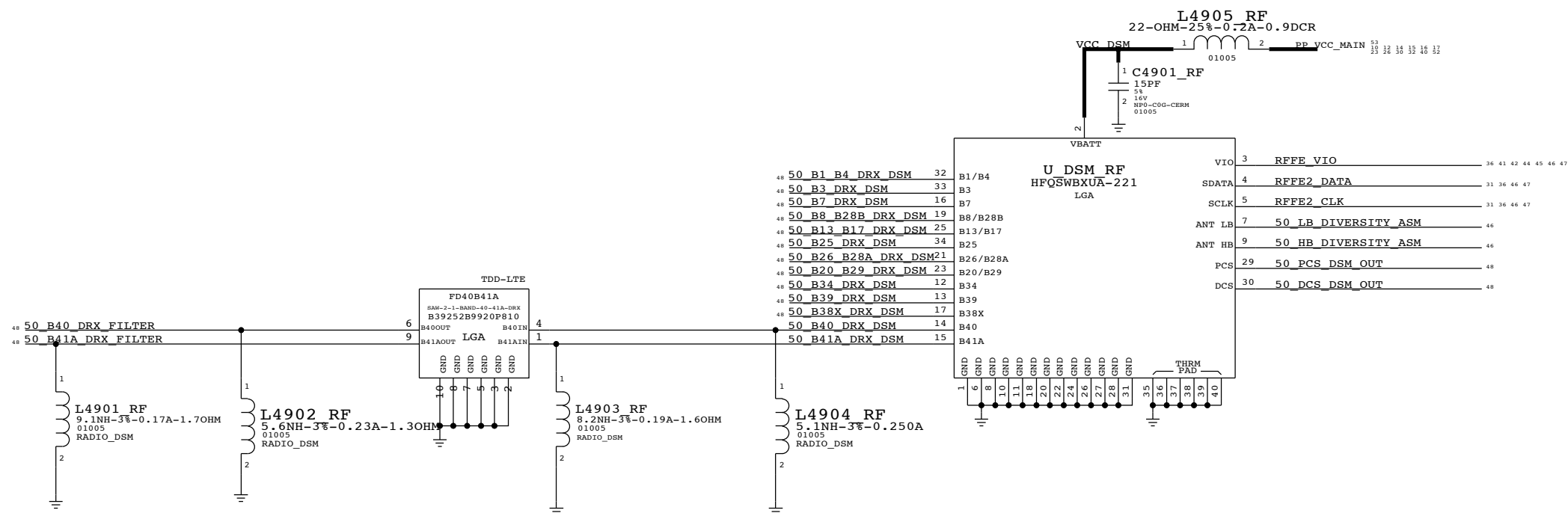


PAGE TITLE	
RX DIVERSITY	
Apple Inc.	DRAWING NUMBER 051-0517 D
NOTICE OF PROPRIETARY PROPERTY: THE INFORMATION CONTAINED HEREIN IS THE PROPRIETARY PROPERTY OF APPLE INC. THE POSSESSOR AGREES TO THE FOLLOWING: I TO MAINTAIN THIS DOCUMENT IN CONFIDENCE II NOT TO REPRODUCE OR COPY IT III NOT TO REVEAL OR PUBLISH IT IN WHOLE OR PART IV ALL RIGHTS RESERVED	REVISION 6.0.0
PAGE 48 OF 55	BRANCH
SHEET 48 OF 55	PAGE

RX DIVERSITY (2)

CONFIDENTIAL AND PROPRIETARY APPLE SYSTEM DESIGN. FOR REFERENCE PURPOSES ONLY - NOT A CHANGE REQUEST.

C1900
R1900
L1900
U1901

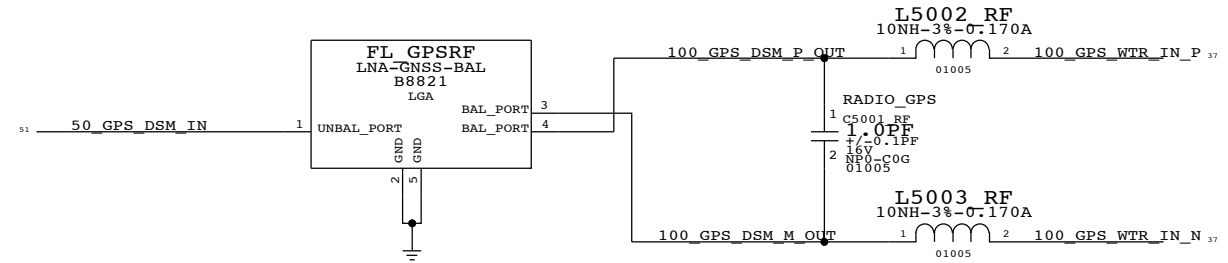


PAGE TITLE		GPS	
Apple Inc.		DRAWING NUMBER	051-0517 D
		REVISION	6.0.0
NOTICE OF PROPRIETARY PROPERTY:		BRANCH	
THE INFORMATION CONTAINED HEREIN IS THE PROPRIETARY PROPERTY OF APPLE INC. THE POSSESSOR AGREES TO THE FOLLOWING:		PAGE	
I TO MAINTAIN THIS DOCUMENT IN CONFIDENCE		49 OF 55	
II NOT TO REPRODUCE OR COPY IT		SHEET	
III NOT TO REVEAL OR PUBLISH IT IN WHOLE OR PART		49 OF 55	
IV ALL RIGHTS RESERVED			

GPS

CONFIDENTIAL AND PROPRIETARY APPLE SYSTEM DESIGN. FOR REFERENCE PURPOSES ONLY - NOT A CHANGE REQUEST.

C1900
R1900
L1900
U1901

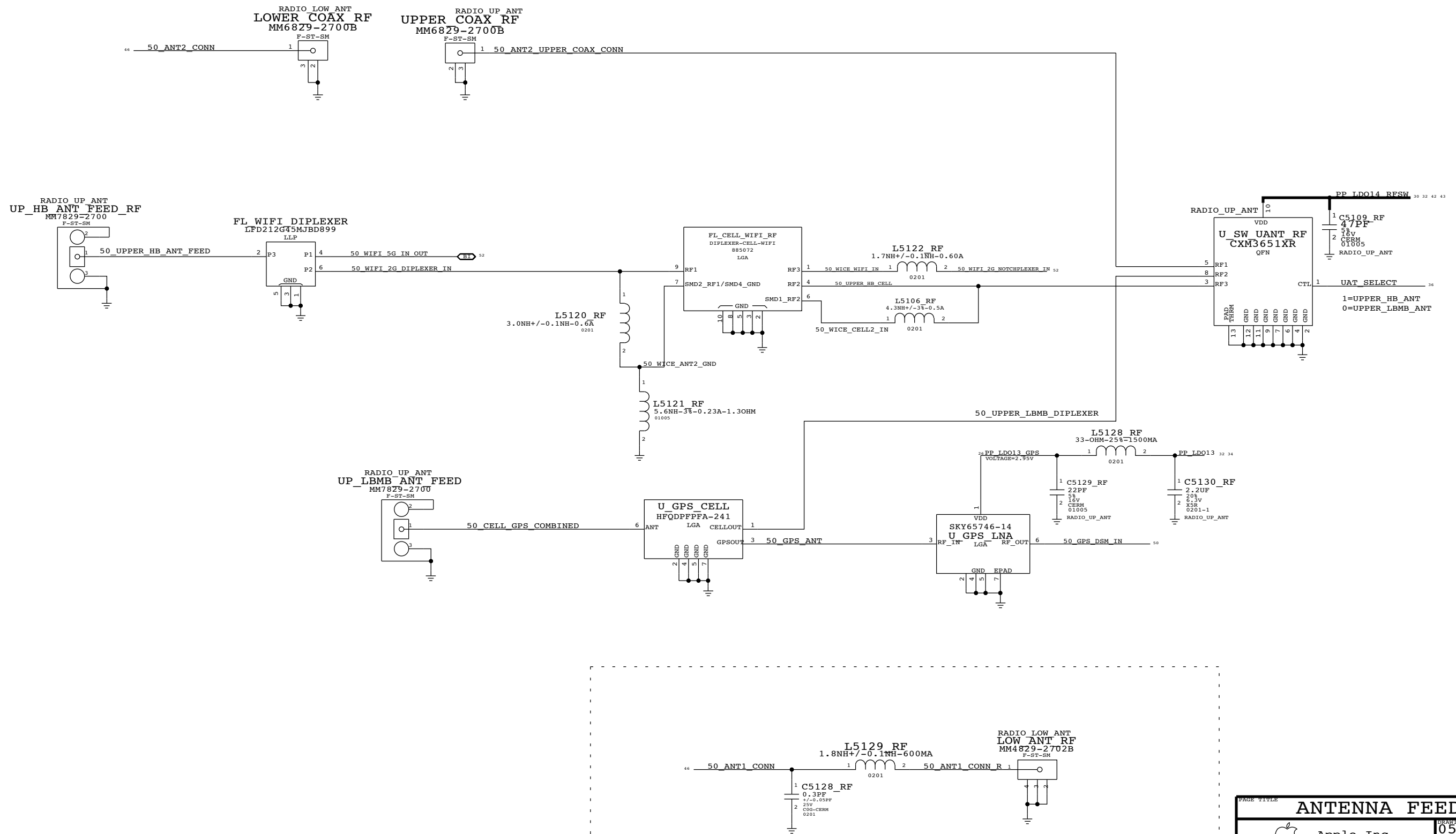


PAGE TITLE GPS		DRAWING NUMBER 051-0517	SIZE D
Apple Inc.		REVISION 6.0.0	BRANCH
NOTICE OF PROPRIETARY PROPERTY: THE INFORMATION CONTAINED HEREIN IS THE PROPRIETARY PROPERTY OF APPLE INC. THE POSSESSOR AGREES TO THE FOLLOWING: I TO MAINTAIN THIS DOCUMENT IN CONFIDENCE II NOT TO REPRODUCE OR COPY IT III NOT TO REVEAL OR PUBLISH IT IN WHOLE OR PART IV ALL RIGHTS RESERVED		PAGE 50 OF 55	SHEET 50 OF 55

ANTENNA FEED'S

CONFIDENTIAL AND PROPRIETARY APPLE SYSTEM DESIGN. FOR REFERENCE PURPOSES ONLY - NOT A CHANGE REQUEST.

TEST & COAX CONNECTOR FOR LOWER SECTION OF MLB



PAGE TITLE		DRAWING NUMBER		SIZE
ANTENNA FEEDS		051-0517		D
Apple Inc.		REVISION		6.0.0
NOTICE OF PROPRIETARY PROPERTY:		BRANCH		
THE INFORMATION CONTAINED HEREIN IS THE PROPRIETARY PROPERTY OF APPLE, INC. THE POSSESSOR AGREES TO THE FOLLOWING:		PAGE		51 OF 55
I TO MAINTAIN THIS DOCUMENT IN CONFIDENCE		SHEET		51 OF 55
II NOT TO REPRODUCE OR COPY IT				
III NOT TO REVEAL OR PUBLISH IT IN WHOLE OR PART				
IV ALL RIGHTS RESERVED				

WLAN/BT

CONFIDENTIAL AND PROPRIETARY APPLE SYSTEM DESIGN. FOR REFERENCE PURPOSES ONLY - NOT A CHANGE REQUEST.

D

D

C

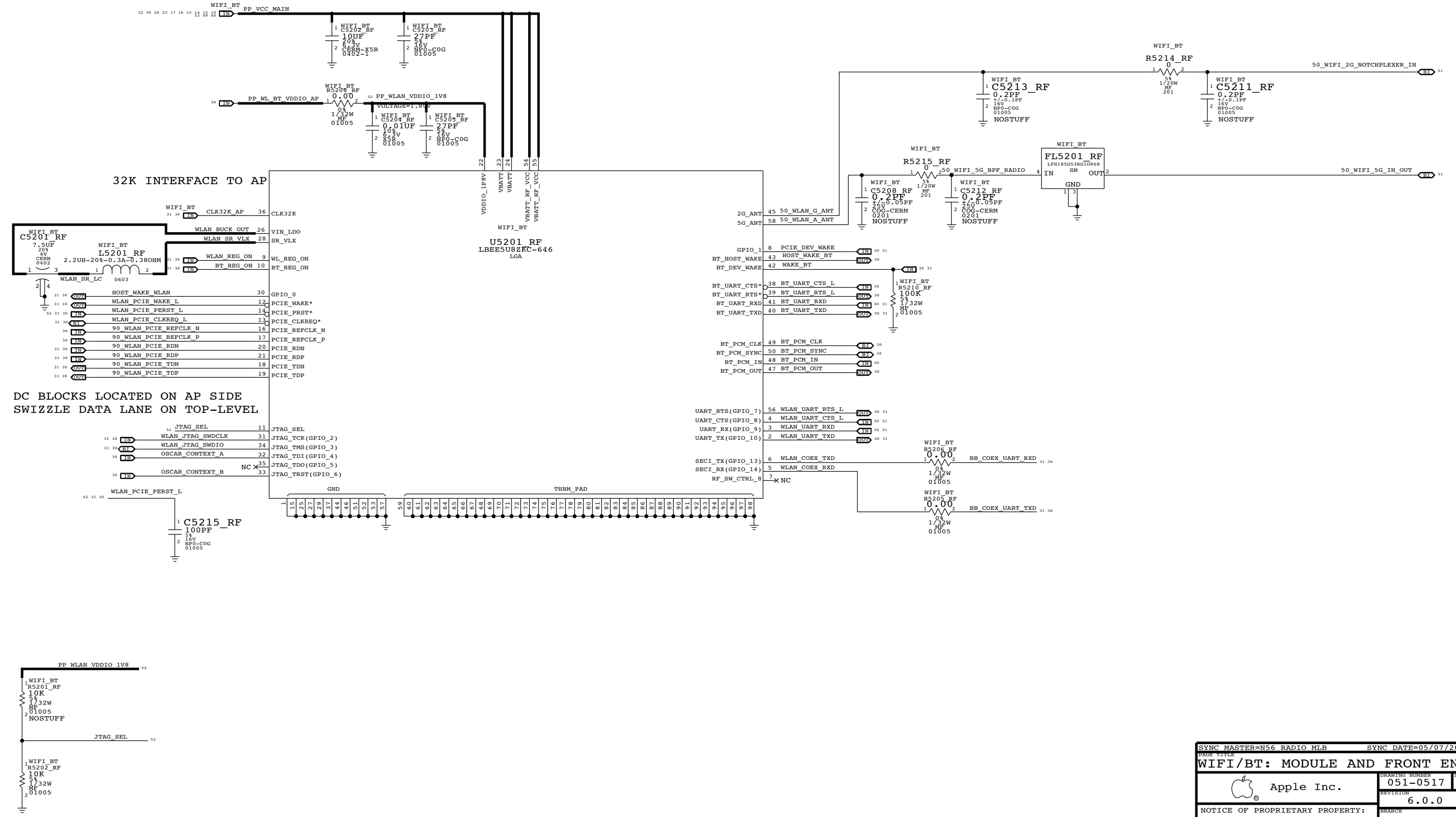
C

B

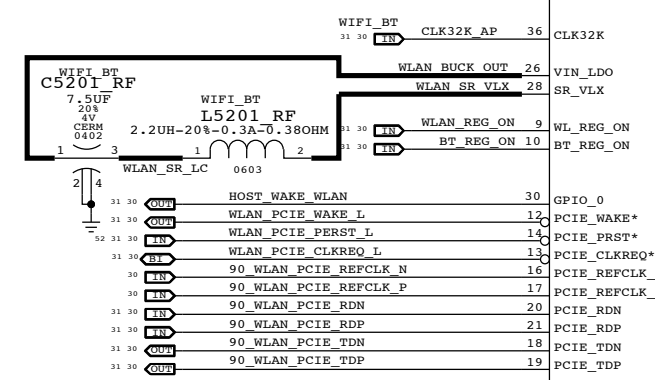
B

A

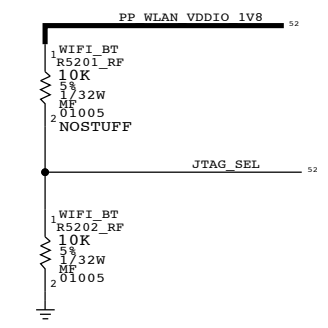
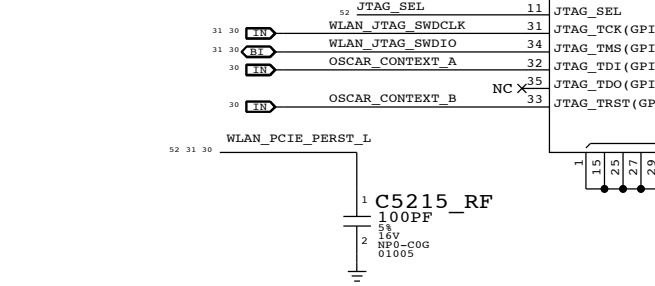
A



32K INTERFACE TO AP



DC BLOCKS LOCATED ON AP SIDE SWIZZLE DATA LANE ON TOP-LEVEL



MODULE BOOT-STRAPPED TO PCIE INTERNALLY

CONFIDENTIAL AND PROPRIETARY APPLE SYSTEM DESIGN. FOR REFERENCE PURPOSE ONLY - NOT A CHANGE REQUEST

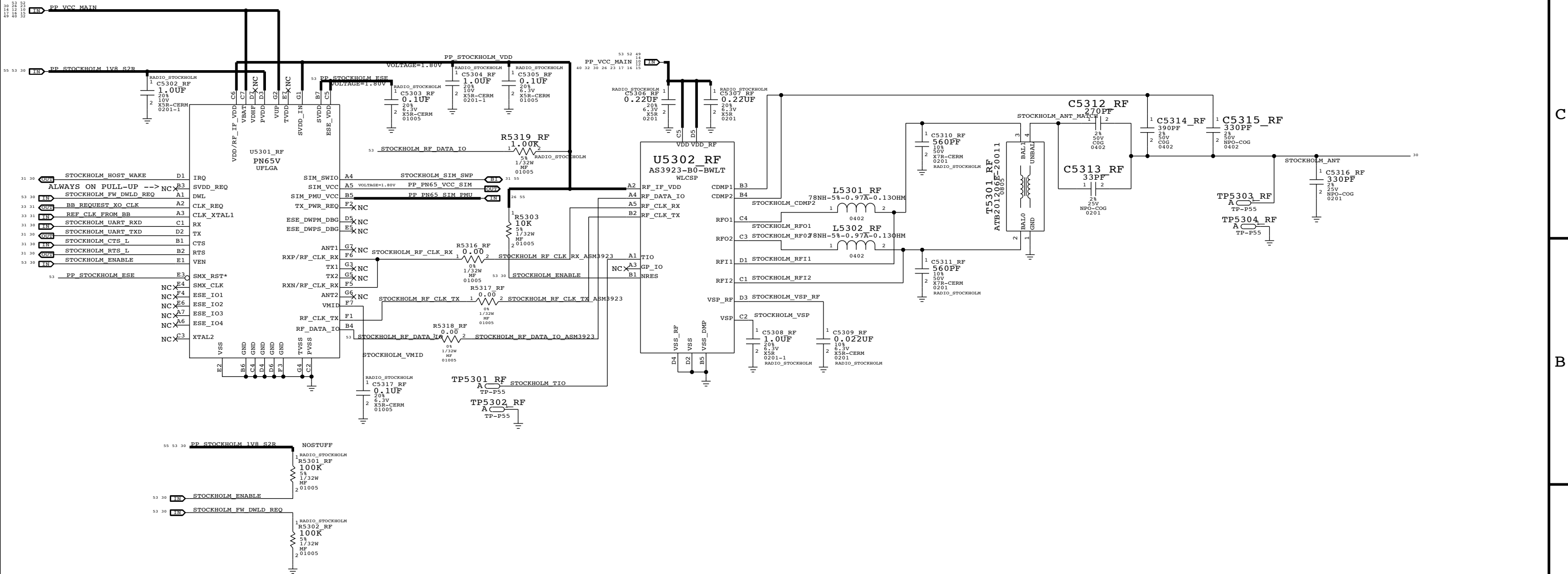
SYNC MASTER=N56 RADIO MLB		SYNC DATE=05/07/2014	
PAGE TITLE WIFI/BT: MODULE AND FRONT END			
Apple Inc.	DRAWING NUMBER	051-0517	SIZE D
	REVISION	6.0.0	
NOTICE OF PROPRIETARY PROPERTY:		BRANCH	
THE INFORMATION CONTAINED HEREIN IS THE PROPRIETARY PROPERTY OF APPLE INC. THE POSSESSOR AGREES TO THE FOLLOWING:		PAGE	
I TO MAINTAIN THIS DOCUMENT IN CONFIDENCE		52 OF 55	
II NOT TO REPRODUCE OR COPY IT		SHEET	
III NOT TO REVEAL OR PUBLISH IT IN WHOLE OR PART		52 OF 55	
IV ALL RIGHTS RESERVED			

STOCKHOLM

CONFIDENTIAL AND PROPRIETARY APPLE SYSTEM DESIGN. FOR REFERENCE PURPOSES ONLY - NOT A CHANGE REQUEST.

C2101
R2100
L2102
U2100

REMOVING BULK CAP 4.7UF 0402 -->
BECAUSE OF OTHER BULK CAPS IN LAYOUT

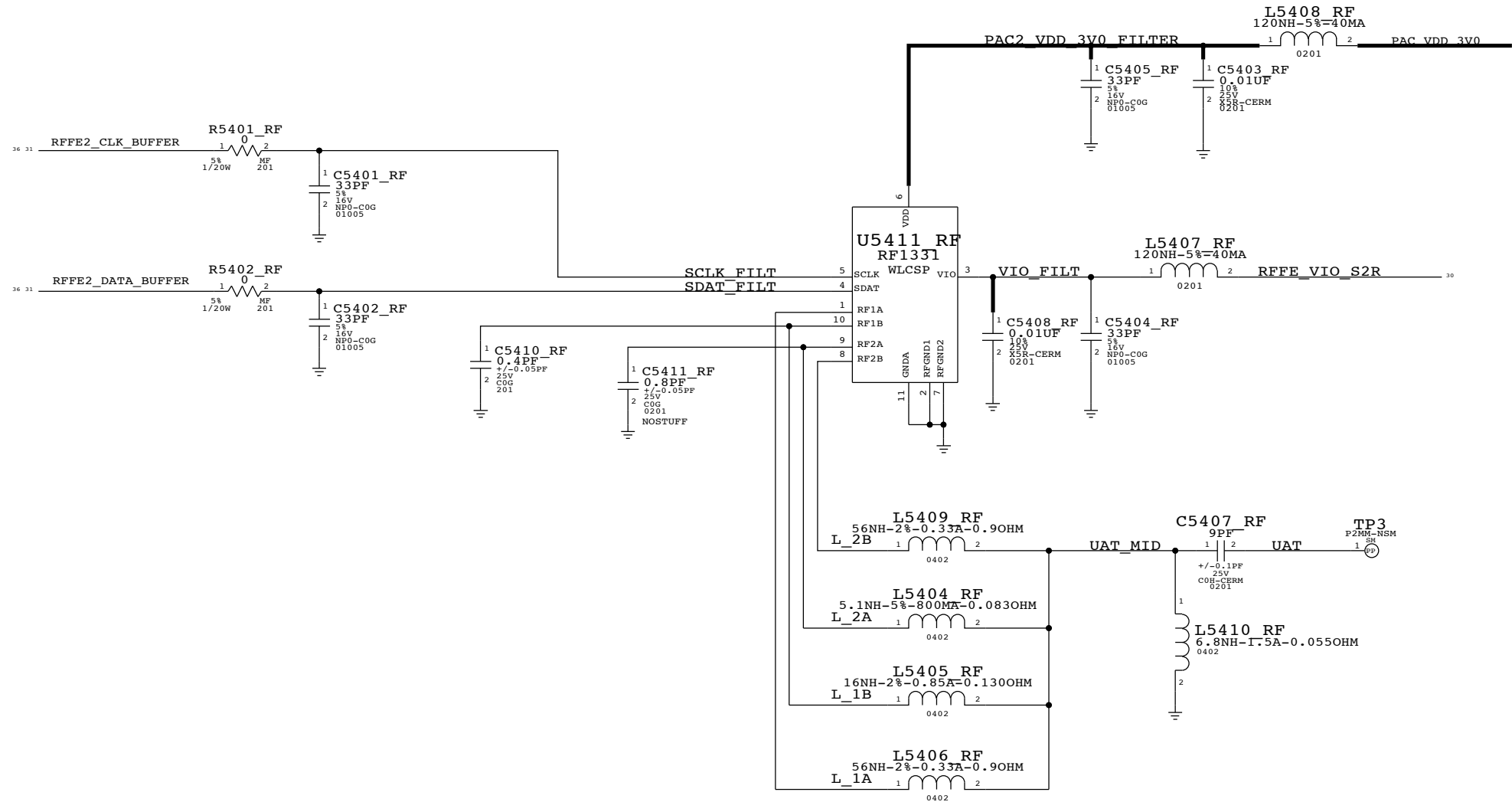



PAGE TITLE		SYNC MASTER=N56 RADIO MLB		SYNC DATE=05/07/2014	
		DRAWING NUMBER	051-0517	SIZE	D
		REVISION	6.0.0		
NOTICE OF PROPRIETARY PROPERTY: THE INFORMATION CONTAINED HEREIN IS THE PROPRIETARY PROPERTY OF APPLE INC. THE POSSESSOR AGREES TO THE FOLLOWING: I TO MAINTAIN THIS DOCUMENT IN CONFIDENCE II NOT TO REPRODUCE OR COPY IT III NOT TO REVEAL OR PUBLISH IT IN WHOLE OR PART IV ALL RIGHTS RESERVED		BRANCH			
		PAGE	53 OF 55		
		SHEET	53 OF 55		

ON-BOARD JUMPER FLEX

CONFIDENTIAL AND PROPRIETARY APPLE SYSTEM DESIGN. FOR REFERENCE PURPOSES ONLY - NOT A CHANGE REQUEST.

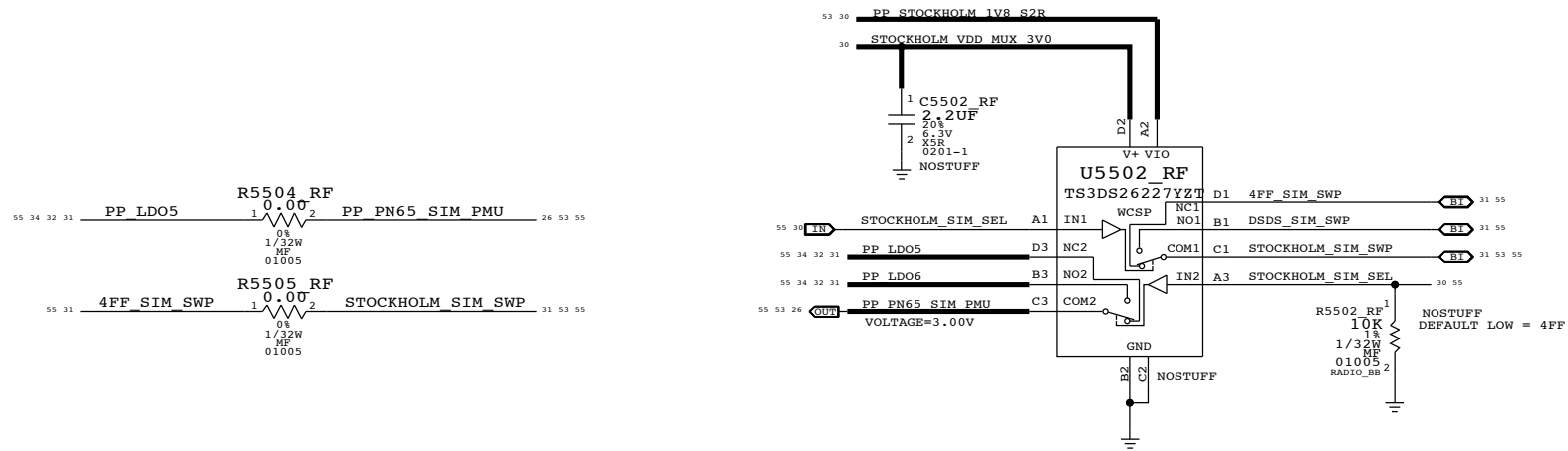
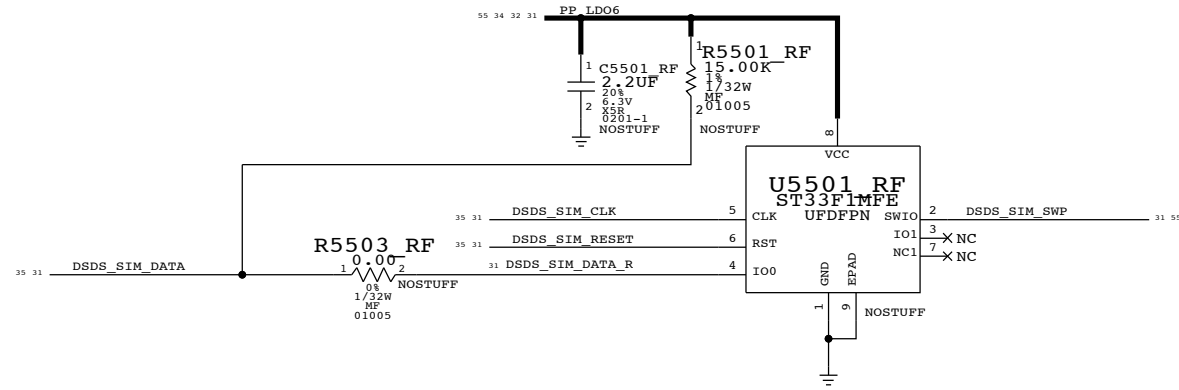
UAT JUMPER




PAGE TITLE		
JUMPER		
 Apple Inc.	DRAWING NUMBER	SIZE
	051-0517	D
	REVISION	
	6.0.0	
NOTICE OF PROPRIETARY PROPERTY:		BRANCH
THE INFORMATION CONTAINED HEREIN IS THE PROPRIETARY PROPERTY OF APPLE, INC. THE POSSESSOR AGREES TO THE FOLLOWING:		PAGE
I TO MAINTAIN THIS DOCUMENT IN CONFIDENCE		54 OF 55
II NOT TO REPRODUCE OR COPY IT		SHEET
III NOT TO REVEAL OR PUBLISH IT IN WHOLE OR PART		54 OF 55
IV ALL RIGHTS RESERVED		

DSDS

CONFIDENTIAL AND PROPRIETARY APPLE SYSTEM DESIGN. FOR REFERENCE PURPOSES ONLY - NOT A CHANGE REQUEST.



PAGE TITLE		
JUMPER		
 Apple Inc.	DRAWING NUMBER	051-0517
	REVISION	6.0.0
NOTICE OF PROPRIETARY PROPERTY: THE INFORMATION CONTAINED HEREIN IS THE PROPRIETARY PROPERTY OF APPLE, INC. THE POSSESSOR AGREES TO THE FOLLOWING: I TO MAINTAIN THIS DOCUMENT IN CONFIDENCE II NOT TO REPRODUCE OR COPY IT III NOT TO REVEAL OR PUBLISH IT IN WHOLE OR PART IV ALL RIGHTS RESERVED	BRANCH	
	PAGE	55 OF 55
	SHEET	55 OF 55